

COMPONENTE FEMORAL SEM BLOQUEIO
Femoral component without blocking

REF.	LADO / Side	TAMANHO / Size
345/01	DIREITO / Right	B
/02	ESQUERDO / Left	B
346/01	DIREITO / Right	C
/02	ESQUERDO / Left	C
347/01	DIREITO / Right	D
/02	ESQUERDO / Left	D
348/01	DIREITO / Right	E
/02	ESQUERDO / Left	E
365/01	DIREITO / Right	F
/02	ESQUERDO / Left	F

COMPONENTE FEMORAL COM BLOQUEIO
Tibial plateau with blocking

REF.	LADO / Side	TAMANHO / Size
349/01	DIREITO / Right	B
/02	ESQUERDO / Left	B
350/01	DIREITO / Right	C
/02	ESQUERDO / Left	C
351/01	DIREITO / Right	D
/02	ESQUERDO / Left	D
352/01	DIREITO / Right	E
/02	ESQUERDO / Left	E
366/01	DIREITO / Right	F
/02	ESQUERDO / Left	F

COMPONENTE TIBIAL
Tibial component

REF.	TAMANHO / Size
353/01	2
/02	3
/03	4
/04	5
/05	6

PATELA
Patela

REF.	mm
364/01	29
/02	32
/03	35
/04	38

PLATÔ TIBIAL SEM BLOQUEIO
Tibial plateau without blocking

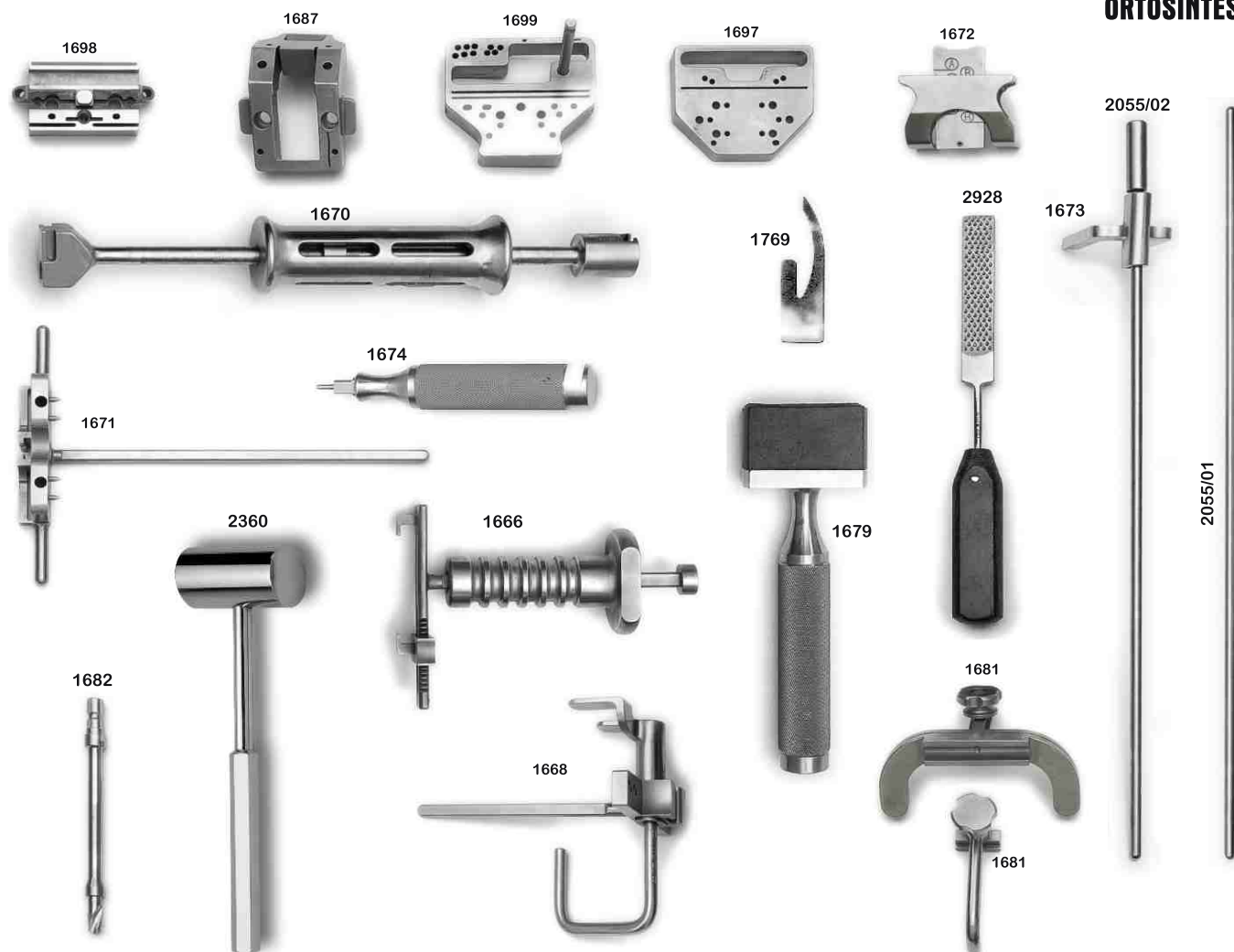
2		3/4		5/6	
REF.	REF.	REF.	REF.	mm	
354/02	355/02	356/02		10	
/03	/03	/03		12	
/04	/04	/04		14	
/05	/05	/05		17	

PLATÔ TIBIAL COM BLOQUEIO
Tibial plateau with blocking

2		3/4		5/6	
REF.	REF.	REF.	REF.	mm	
358/02	359/02	362/02		10	
/03	/03	/03		12	
/04	/04	/04		14	
/05	/05	/05		17	

INSTRUMENTAL DE JOELHO NKS PLUS

NKS Plus Knee Instruments



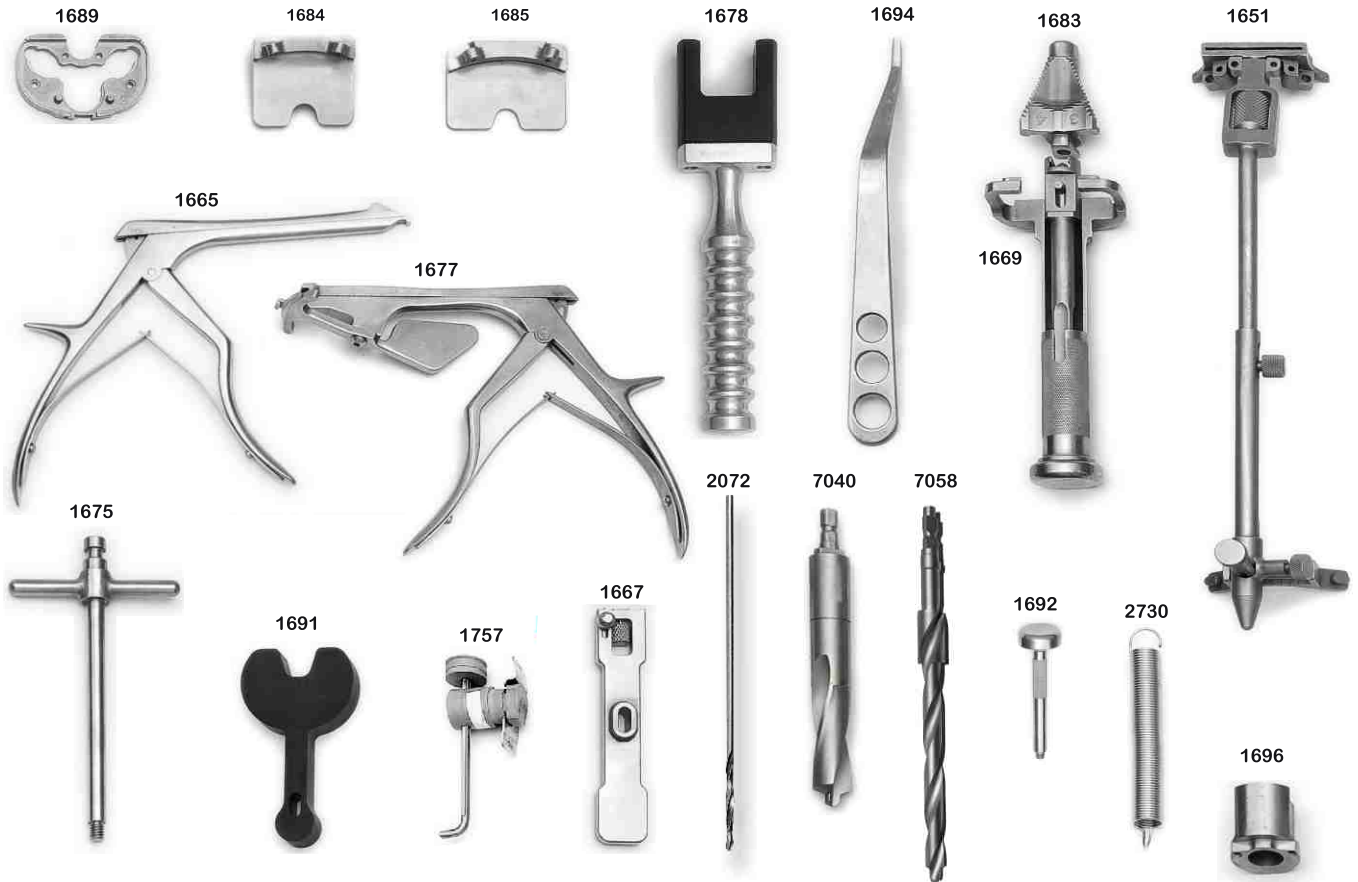
1666	EXTRATOR FEMORAL <i>Femoral extractor</i>
1668	GUIA MEDIDOR FEMORAL <i>Femoral gauge guide</i>
1670	EXTRATOR INTRAMEDULAR <i>Intramedular extractor</i>
1672	MEDIDOR FEMORAL <i>Femoral gauge guide</i>
1673	GUIA DE ALINHAMENTO EXTRAMEDULAR <i>Extramedular alignment guide</i>
1674	IMPACTOR <i>Impactor</i>
1679	IMPACTOR FEMORAL <i>Femoral Impactor</i>
1681	GUIA DE CORTE FEMORAL <i>Femoral cutting guide</i>
1682	BROCA FEMORAL <i>Femoral Drill</i>
1697	GUIA DE CORTE FEMORAL DISTAL <i>Distal femoral cutting guide</i>
1699	GUIA DE CORTE FEMORAL DISTAL <i>Distal femoral cutting guide</i>
1769	GUIA ORIENTADOR DO CORTE <i>Cutting orienting guide</i>
2055/01	GUIA ALINHADOR FEMORAL <i>Femoral alignment guide</i>

2055/02	GUIA ALINHADOR FEMORAL PROLONGADOR <i>Femoral alignment guide extension</i>
2928	RASPA ÓSSEA <i>Bone Reamer</i>
2360/02	MARTELO DE AÇO INIXODÁVEL 500 gr. <i>Stainless Steel Mallet</i>

GUIA DE ALINHAMENTO FEMORAL <i>Femoral alignment guide</i>	
REF.	COMPRIMENTO / Length
1671/01	CURTO / Short
/02	LONGO / Long

GUIA DE CORTE DE INTERCÔNDILO <i>Intercondilus cutting guide</i>	
REF.	TAMANHO / Size
1687/04	B
/01	C
/02	D
/03	E
/05	F

GUIA DE CORTE FEMORAL ANTERO/POSTERIOR <i>Antero/posterior femoral cutting guide</i>	
REF.	TAMANHO / Size
1698/04	B
/01	C
/02	D
/03	E
/05	F



1651	GUIA DE CORTE TIBIAL EXTRAMEDULAR <i>Extramedular tibial cutting guide</i>
1757	GUIA ORIENTADOR DO GUIA DE CORTE TIBIAL <i>Orienting guide of the tibial cutting guide</i>
1665	PINÇA DE REMOÇÃO PLATO TIBIAL <i>Tibial plateau displacement forcep</i>
1667	PINÇA PARA PLACA TIBIAL <i>Tibial plate forceps</i>
1669	IMPACTOR TIBIAL <i>Tibial impactor</i>
1675	EXTRATOR TIBIAL <i>Tibial extractor</i>
1677	PINÇA DE INSERÇÃO DO PLATÔ TIBIAL <i>Tibial plateau insertion forceps</i>
1678	IMPACTOR TIBIAL <i>Tibial impactor</i>
1684	GUIA DE CORTE VARO/VALGO TIBIAL <i>Tibial varo/valgo cutting guide</i>

1685	GUIA DE CORTE TIBIAL <i>Tibial cutting guide</i>
1692	IMPACTOR TIBIAL <i>Tibial impactor</i>
1694	AFASTADOR TIBIAL <i>Tibial retractor</i>
1696	GUIA DE BROCA TIBIAL <i>Tibial drill guide</i>
2072	BROCA DE AÇO INOX Ø 3,2 MM <i>Stainless Steel Drill</i>
2730/03	GUIA ALINHADOR <i>Alignment guide</i>
7040	BROCA TIBIAL Ø 16,7 mm <i>Tibial drill Ø 16,7 mm</i>
7058	FRESA FEMORAL Ø 8 MM <i>Femoral reamer Ø 8 mm</i>

FRESA TIBIAL <i>Tibial reamer</i>	
REF.	mm
1683/01	1/2
/02	3/4
/03	5/6

MEDIDOR DE ESPAÇO ARTICULAR <i>Articular space gauge</i>	
REF.	mm
1691/02	10
/03	12
/04	14
/05	17
/08	-3
/09	-5

GUIA DE CORTE PARA FRESA TIBIAL <i>Tibial plateau gauge with blocking</i>	
REF.	TAMANHO / Size
1689/04	2
/01	3
/02	4
/03	5
/05	6

7028
7029
7030
7052
7053



7031
7032
7033
7054
7055



7035
7036
7056



7037
7038
7057



7034



7039



MEDIDOR FEMORAL COM BLOQUEIO

Femoral component gauge with blocking

REF.	LADO / Side	TAMANHO / Size
7054/01	DIREITO / Right	B
/02	ESQUERDO / Left	B
7031/01	DIREITO / Right	C
/02	ESQUERDO / Left	C
7032/01	DIREITO / Right	D
/02	ESQUERDO / Left	D
7033/01	DIREITO / Right	E
/02	ESQUERDO / Left	E
7055/01	DIREITO / Right	F
/02	ESQUERDO / Left	F

MEDIDOR FEMORAL SEM BLOQUEIO

Femoral component gauge without blocking

REF.	LADO / Side	TAMANHO / Size
7052/01	DIREITO / Right	B
/02	ESQUERDO / Left	B
7028/01	DIREITO / Right	C
/02	ESQUERDO / Left	C
7029/01	DIREITO / Right	D
/02	ESQUERDO / Left	D
7030/01	DIREITO / Right	E
/02	ESQUERDO / Left	E
7053/01	DIREITO / Right	F
/02	ESQUERDO / Left	F

MEDIDOR PLATÔ TIBIAL COM BLOQUEIO

Tibial plateau gauge with blocking

2	3/4	5/6	
REF.	REF.	REF.	mm
7057/02	7037/02	7038/02	10
/03	/03	/03	12
/04	/04	/04	14
/05	/05	/05	17

MEDIDOR PLATÔ TIBIAL SEM BLOQUEIO

Tibial plateau gauge without blocking

2	3/4	5/6	
REF.	REF.	REF.	mm
7056/02	7035/02	7036/02	10
/03	/03	/03	12
/04	/04	/04	14
/05	/05	/05	17

MEDIDOR COMPONENTE TIBIAL

Tibial component

REF.	TAMANHO / Size
7034/04	2
/01	3
/02	4
/03	5
/05	6

MEDIDOR DE PROVA PATELAR

Trial gauge

REF.	mm
7039/01	29
/02	32
/03	35
/04	38

1210



1758



1756



2768



2767



1768



1688



7059



1756	CHAVE COM SEXTAVADO INTERNO <i>Wrench with internal hexhead</i>
1758	PINÇA PARA EXTRAÇÃO DO PREGO <i>Nail extraction forceps</i>
1768	PERFURADOR FIXADOR ROSQUEADO <i>Threaded fixator perforator</i>
1688	EXTRATOR <i>Extractor</i>
2767	PINÇA PATELAR <i>Patelar forceps</i>

2768	PINÇA PATELAR <i>Patelar forceps</i>
7059	PERFURADOR FIXADOR 38 MM <i>Fixator perforator 38 mm</i>

GUIA DE FURAÇÃO PATELAR
Patelar perforation guide

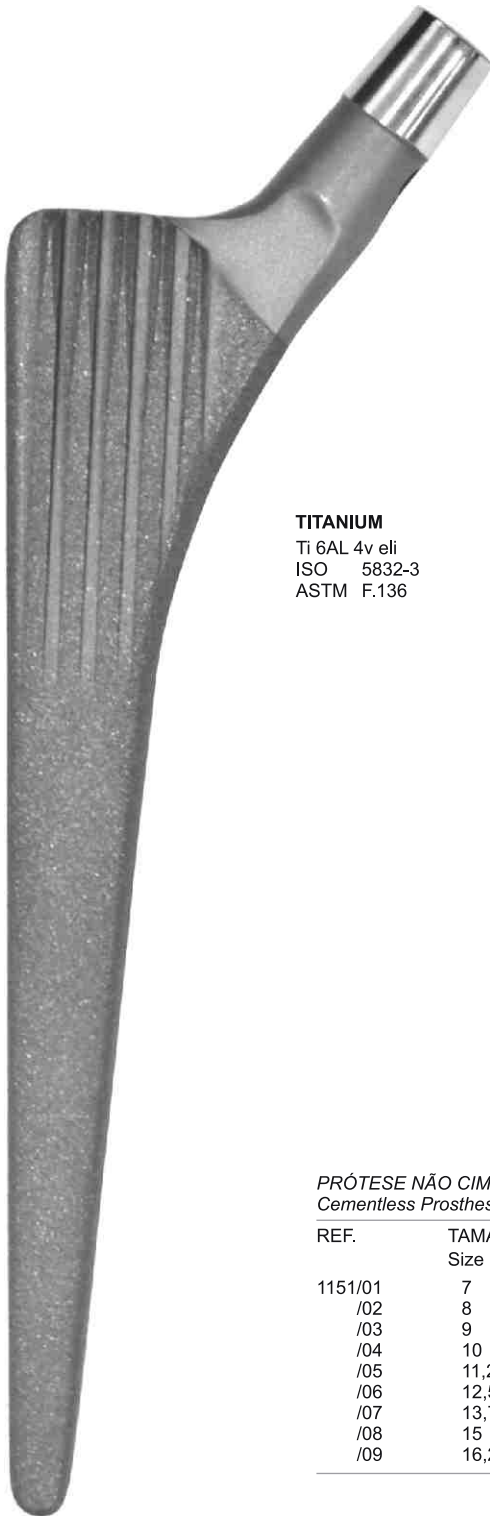
REF.	mm
1210/01	29/38
/02	32/35

PRÓTESE DE QUADRIL SEM CIMENTO TIPO SPOTORNO

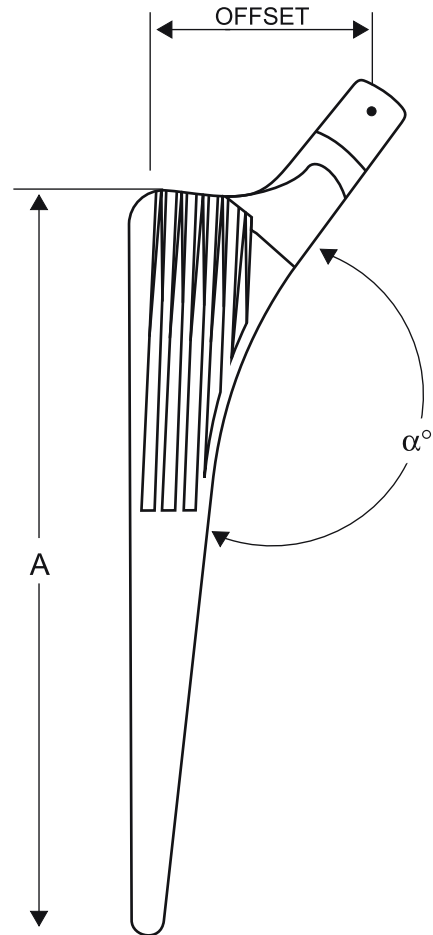
Cementless Hip Prosthesis Type Spotorno



1151



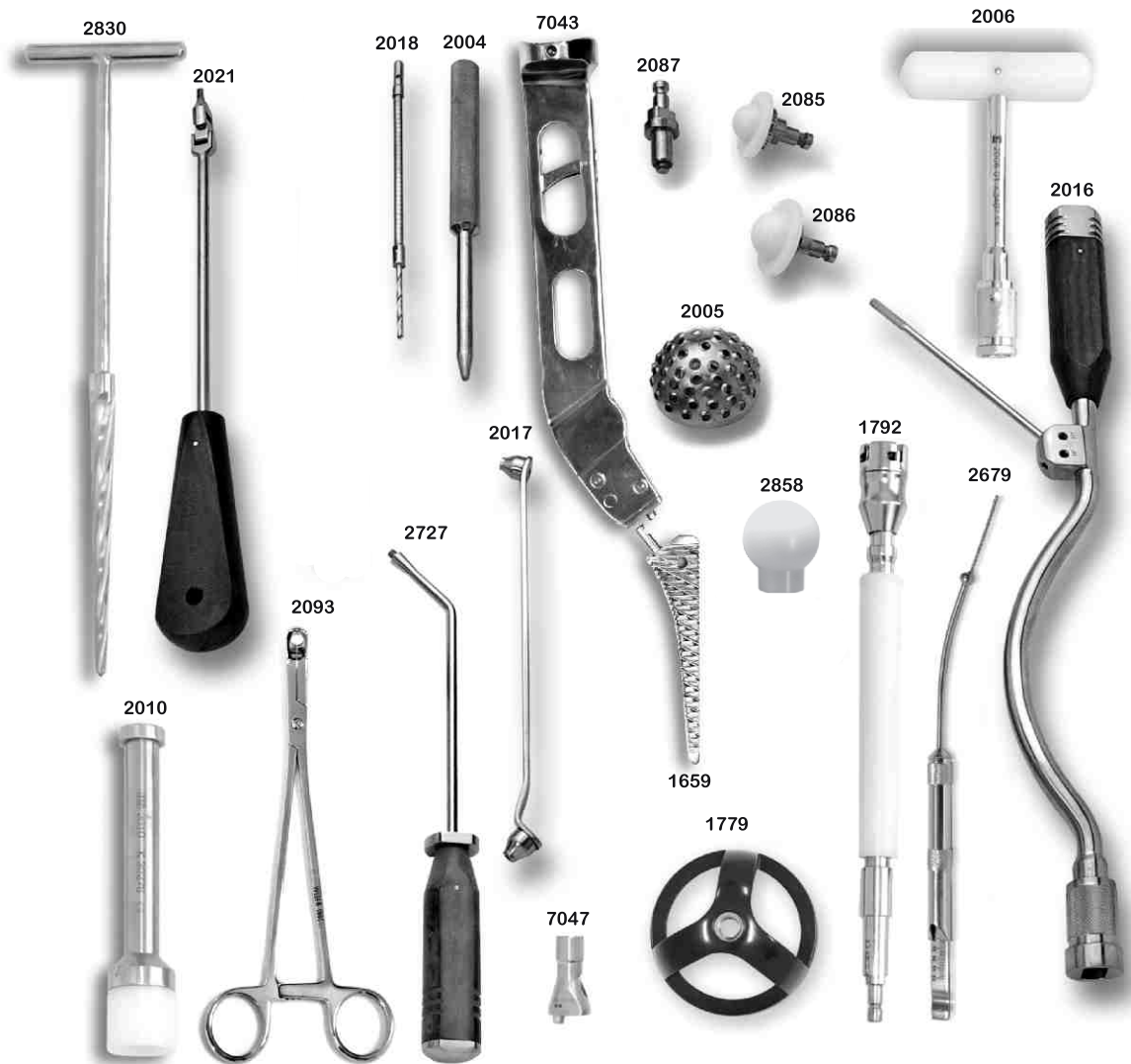
TITANIUM
Ti 6AL 4v eli
ISO 5832-3
ASTM F.136



PRÓTESE NÃO CIMENTADA
Cementless Prosthesis

REF.	TAMANHO Size
1151/01	7
/02	8
/03	9
/04	10
/05	11,25
/06	12,50
/07	13,75
/08	15
/09	16,25

TAMANHO Size	A	OFFSET	α°
7	142,8	35	145°
8	146,4	36,1	145°
9	150	37,2	145°
10	153,6	38,2	145°
11,25	158,1	39,4	145°
12,5	162,6	40,6	145°
13,75	167,1	41,8	145°
15	171,6	43	145°
16,25	176,1	44,2	145°



1792	GUIA DA FRESA ACETABULAR <i>Acetabular Reamer Guide</i>
2004	IMPACTOR FINAL <i>Final Impactor</i>
2006	CHAVE EM "T" <i>"T" Wrench</i>
2010	IMPACTOR <i>Impactor</i>
2016	GUIA ACETABULAR <i>Acetabular Guide</i>
2017	GUIA DE BROCA <i>Drill Guide</i>

GUIA MEDIDOR ACETABULAR *Guide Gauge Acetabular*

REF.	Ø mm
1779/01	44
/02	46
/03	48
/04	50
/05	52
/06	54
/07	56
/08	58
/09	60
/10	62

FRESA FEMORAL LONGA CÔNICA *Conical Femoral Reamer*

REF.	Ømm
2830/01	10

2018	BROCA FLEXÍVEL <i>Flexible Drill</i>
2021	CHAVE COM JUNTA UNIVERSAL <i>Joint Universal Driver</i>
2679	MEDIDOR DE PROFUNDIDADE FLEXÍVEL <i>Flexible Depth Gauge</i>
2085	IMPACTOR DE INSERTO 22 mm <i>Insert Impactor</i>
2086	IMPACTOR DE INSERTO 28 mm <i>Insert Impactor</i>

FRESA RASPA SPOTORNO *Reamer Spotorno*

REF.	Ømm
1659/01	7
/02	8
/03	9
/04	10
/05	11
/06	12
/07	13
/08	15
/09	16,25

MEDIDOR Ø 28MM *Gauge*

REF.	TAMANHO / Size
2858/01	C
/02	M
03	L

2087	IMPACTOR DE ACETÁBULO <i>Acetabular Impactor</i>
2093	PINÇA PORTA PARAFUSO <i>Screw Forceps</i>
2727	GUIA DO MEDIDOR <i>Trial Measurer</i>
7043	CABO DA RASPA <i>Reamer Handle</i>
7047	MEDIDOR DE COLO <i>Colon Gauge</i>

FRESA ACETABULAR *Acetabular Reamer*

REF.	Ømm
2005/44	44
/46	46
/48	48
/50	50
/52	52
/54	54
/56	56
/58	58
/60	60
/62	62

MEDIDOR Ø 22MM *Gauge*

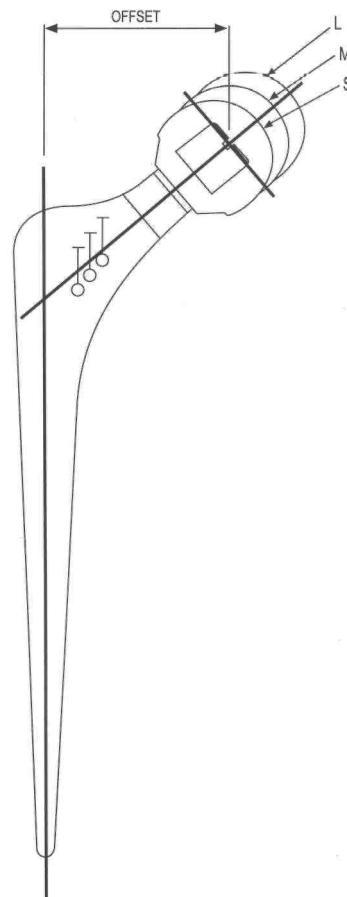
REF.	TAMANHO / Size
2858/10	M
/11	L

PRÓTESE TOTAL DE QUADRIL MAGNUS

Magnus Total Hip Prosthesis

Cr Co Mo
ISO 5832-4
ASTM F.75

1180
1181
1182

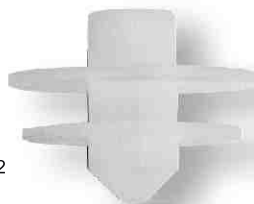


1183

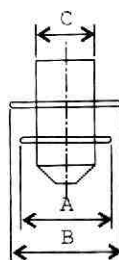


PMMA
ISO 5833
ASTM F.451

1126



Polyethylene
ISO 5834-2
ASTM F.648



1183 **CENTRALIZADOR DISTAL**
Distal Centralizer

BLOQUEADOR DE CIMENTO

Cement Plug

REF.	TAMANHO Size	A Ømm	B Ø mm	C Ø mm
1126/01	PEQUENO Small	14	17	9
/02	MÉDIO Medium	18	21	9
/03	GRANDE Large	22	25	9

PRÓTESE TOTAL DE QUADRIL MAGNUS

Magnus Total Hip Prosthesis

REF.	BASE OFFSET mm	Nº	NECK ANGLE
1180	35,5	0	130 degrees
1181/01	37,5	1	130 degrees
/02	37,5	2	130 degrees
/03	37,5	3	130 degrees
1182/01	44	1	130 degrees
/02	44	2	130 degrees
/03	44	3	130 degrees
/04	44	4	130 degrees



2001	CURETA MÉDIA 13x24 mm Medium Curette
2006	CHAVE EM T T Wrench
2010	IMPACTOR Impactor
2011/02	EXTRATOR LONGO DE CABEÇA DE FÊMUR Femoral Head Extrator
2053	OSTEÓTOMO DE LIGAMENTO Ligament Osteotome
1652	GUIA DE FRESA Reamer Guide
2171	CHAVE EM T COM MANDRIL T Wrench With Chuck
2340	FRESA INICIAL FEMORAL Femoral Initial Reamer
2698	IMPACTOR DO BLOQUEADOR DE CIMENTO Bone Plug Impactor
1792	GUIA DA FRESA ACETABULAR Acetabular Reamer Guide
2701	GUIA POSICIONADOR DA PRÓTESE ACETABULAR Acetabular Positioner Guide
2924	GUIA POSICIONADOR DA PRÓTESE FEMORAL Femoral Prosthesis Positioner Guide

FRESA ACETABULAR Acetabular Reamer

REF.	Ø mm
2005/40	40
/42	42
/44	44
/46	46
/48	48
/50	50
/52	52
/54	54
/56	56
/58	58
/60	60
/62	62

MEDIDOR ACETABULAR Acetabular Deph Gauge

REF.	Ø mm
2704/01	44
/02	46
/03	48
/04	50
/05	52
/06	54
/07	56
/08	58
/09	60
/10	62

FRESA COM STOP Reamer With Stop

REF.	Ø mm
2341/01	4,9 x 10
/02	7,9 x 15

FRESA FEMORAL LONGA CÔNICA Conical Femoral Reamer

REF.	Ø mm
2830/01	12
/02	16

FRESA FEMORAL MAGNUS Magnus Femoral Reamer

REF.	Ø mm	Nº
2337/01	35,5	0
/02	37,5	1
/03	37,5	2
/04	37,5	3
/05	44,0	1
/06	44,0	2
/07	44,0	3
/08	44,0	4

MEDIDOR DE CABEÇA Trial Head

REF.	Ø mm
2858/01	28 Curto
/02	28 Médio
/03	28 Longo

MEDIDOR DE COLO Trial Neck

REF.	Ø mm
1959/01	35,5
/02	37,5
/03	44

PRÓTESE FEMORAL DE QUADRIL COM COLAR MASTER

Master Femoral Hip Component With Collar



CENTRALIZADOR DISTAL

Distal Centralizer

REF.	N°
1129/01	1
/02	2
/03	3
/04	4
/05	5

BLOQUEADOR DE CIMENTO

Bone Plug

REF.	Ø mm	TAMANHO
1126/01	14 a 17	PEQUENO <i>Small</i>
/02	18 a 21	MÉDIO <i>Medium</i>
/03	22 a 25	GRANDE <i>Large</i>

PRÓTESE FEMORAL COM COLAR POLIDO

Femoral Component With Polished Collar

REF.	COMP. HASTE	FRESA N°
	<i>Stem Length</i>	<i>Reamer N°</i>
1142/01	120	1
/02	120	2
/03	120	3
/04	130	4
/05	130	5

PRÓTESE FEMORAL COM COLAR RUGOSO

Femoral Component With Rugose Collar

REF.	COMP. HASTE	FRESA N°
	<i>Stem Length</i>	<i>Reamer N°</i>
1130	120	1
1131	120	2
1132	120	3
1133	130	4
1134	130	5

1130 / 1134
1142

Cr Co Mo
ISO 5832-4
ASTM F.75

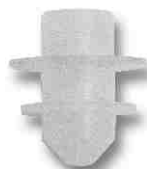


1129

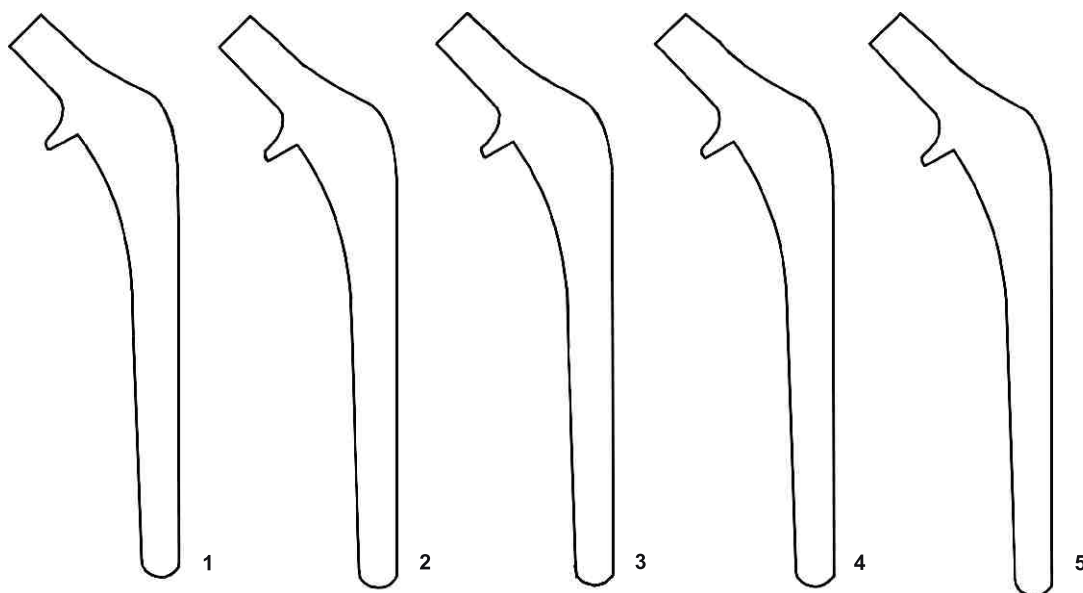


PMMA
ISO 5833
ASTM F.451

1126



Polyethylene
ISO 5834-2
ASTM F.648



BLOQUEADOR DE CIMENTO

Bone Plug

REF.	Ø mm	TAMANHO Size
1126/01	14 a 17	PEQUENO <i>Small</i>
/02	18 a 21	MÉDIO <i>Medium</i>
/03	22 a 25	GRANDE <i>Large</i>

CENTRALIZADOR DISTAL

Distal Centralizer

REF.	Ø mm
1129/01	1
/02	2
/03	3
/04	4
/05	5

PRÓTESE FEMORAL SEM COLAR RUGOSO

Femoral Component Without Rugose Collar

REF.	Ø mm	FRESA N° Reamer n°
1136	120	1
1137	120	2
1138	120	3
1139	130	4
1140	130	5

PRÓTESE FEMORAL SEM COLAR POLIDO

Femoral Component Without Polished Collar

REF.	Ø mm	FRESA N° Reamer n°
1143/01	120	1
/02	120	2
/03	120	3
/04	130	4
/05	130	5

1136 / 1140
1143



1129

PMMA

ISO 5833
ASTM F.451



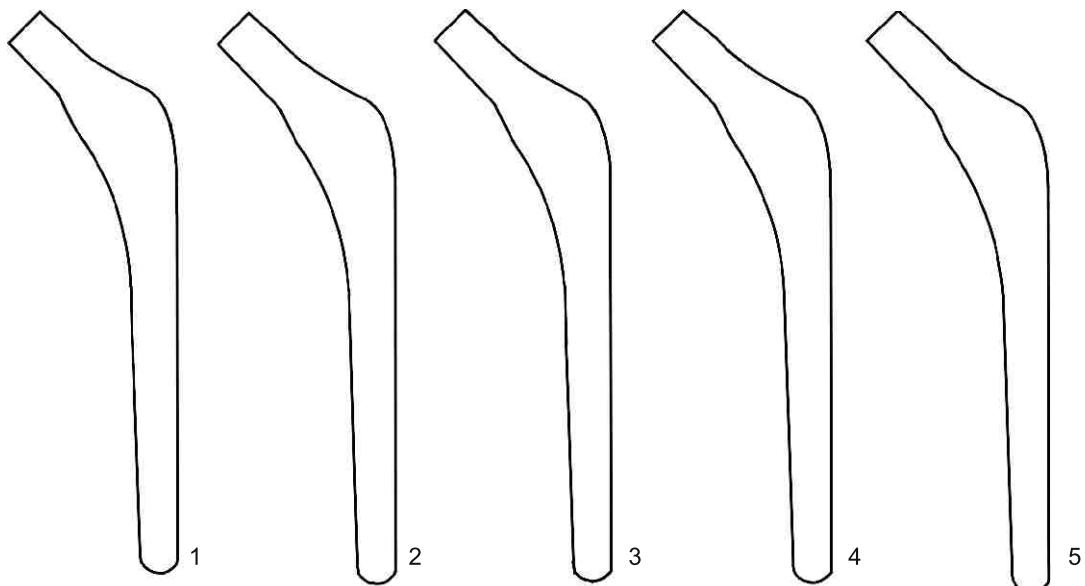
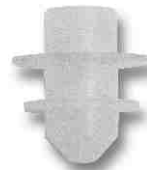
Cr Co Mo

ISO 5832-4
ASTM F.75

1126

Polyethylene

ISO 5834-2
ASTM F.648



1128



PRÓTESE ACETABULAR

Acetabular Prosthesis

REF.	Ø mm
1128/01	44
/02	46
/03	48
/04	50
/05	52
/06	54
/07	56
/08	58
/09	60
/10	62

Polyethylene

ISO 5834-2
ASTM F.648

PMMA

ISO 5833
ASTM F.451

1088



CABEÇA INTERCAMBIÁVEL

Interchangeable Head

REF.	Ø mm	COMPR. Length
1088/01	28	CURTO Short
/02	28	NORMAL Normal
/03	28	LONGO Long

Cr Co Mo

ISO 5832-4
ASTM F.75

FRESA ACETABULAR

Acetabular Reamer

REF.	Ø mm
2005/40	40
/42	42
/44	44
/46	46
/48	48
/50	50
/52	52
/54	54
/56	56
/58	58
/60	60
/62	62

FRESA INTRAMEDULAR

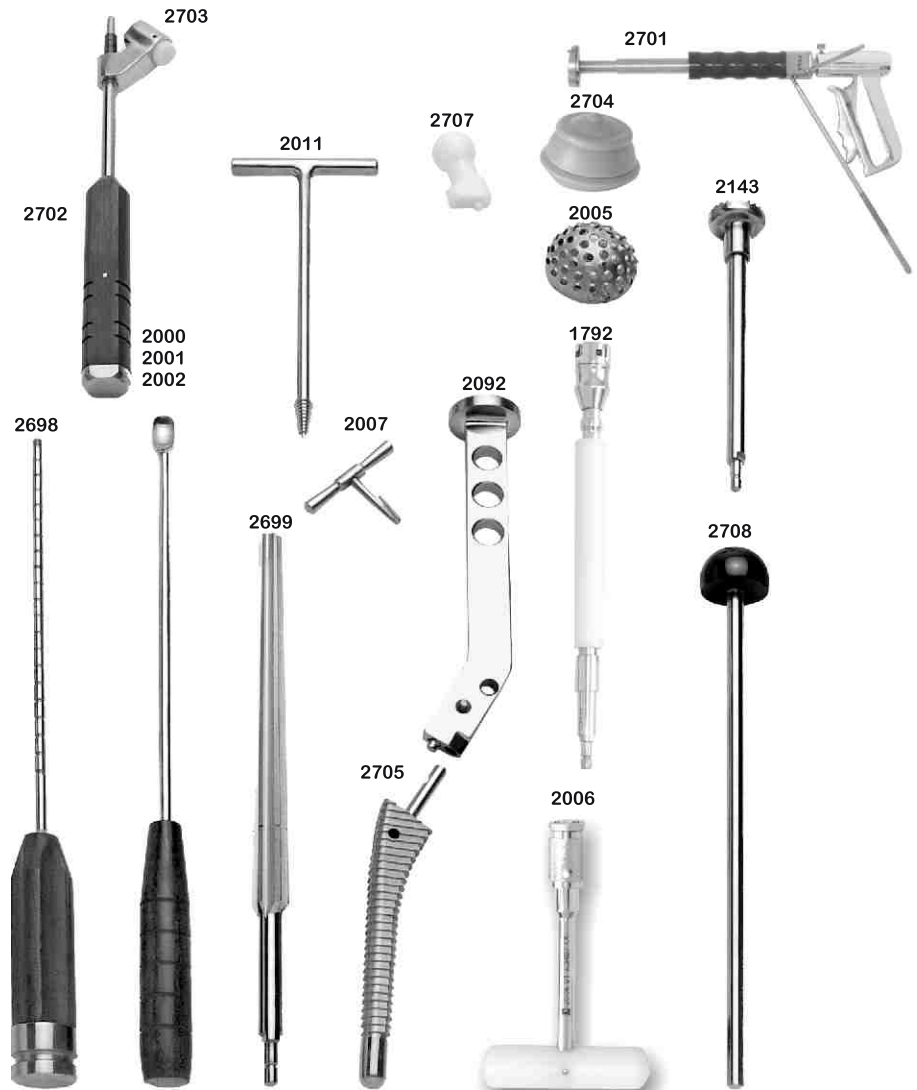
Intramedular Reamer

REF.	COMPRIMENTO mm	
	Length	
2699/01	0	260
/02	1	276
/03	2	283
/04	3	286
/05	4	293
/06	5	303

IMPACTOR COLAR

Impactor Collar

REF.	COLAR Nº
2703/01	1
/02	2/3
/03	4
/04	5



2000	CURETA PEQUENA Small Curette
2001	CURETA MÉDIA Medium Curette
2002	CURETA GRANDE Large Curette
2006	CHAVE EM T T Wrench
2007	CHAVE (par) Wrench (pair)
2011	EXTRATOR DE CABEÇA DE FÊMUR Femoral Head Extractor
2092	GUIA DE FRESA Reamer Guide
2143	FRESA DE TOPO Top Reamer
2698	IMPACTOR DO BLOQUEADOR DE CIMENTO Bone Plug Impactor

1792	GUIA DA FRESA ACETABULAR Acetabular Reamer Guide
2701	GUIA ACETABULAR Acetabular Guide
2702	GUIA DO IMPACTOR Impactor Guide
2707/01	MEDIDOR CURTO Short Measurer
2707/02	MEDIDOR NORMAL Normal Measurer
2707/03	MEDIDOR LONGO Long Measurer
2708	IMPACTOR DE CÁPSULA Cup Impactor
2727	GUIA DO MEDIDOR Trial Measurer

MEDIDOR ACETABULAR

Acetabular Depth Gauge

REF.	Ø mm
2704/01	44
/02	46
/03	48
/04	50
/05	52
/06	54
/07	56
/08	58
/09	60
/10	62

FRESA FEMORAL

Femoral Reamer

REF.	Nº
2705/01	1
/02	2
/03	3
/04	4
/05	5

PRÓTESE DE QUADRIL SEM CIMENTO

Cementless Hip Prosthesis Replacement



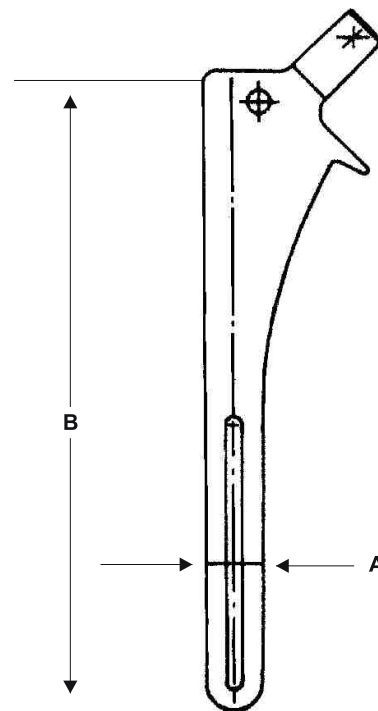
1005



TITANIUM

Ti 6AL 4v eli
ISO 5832-3
ASTM F.136

3330



COMPONENTE FEMORAL

Femoral Component

REF.	A Ø mm	B COMPR. mm Length
1005/10	10	130
/11	11	135
/12	12	140
/13	13	145
/14	14	150
/15	15	155
/16	16	160

PARAFUSO TITÂNIO Ø 6,5 mm

Titanium Screw

REF.	COMPR mm Length
3330/15	15
/20	20
/25	25
/30	30
/35	35
/40	40
/45	45
/50	50
/55	55
/60	60



CHAVE APERTO DO ACETÁBULO
Acetabular Tightening Wrench

REF.	Ø mm
2088/01	46 a 50
/02	50 a 62

CHAVE POSICIONADORA
Positioner Wrench

REF.	Ø mm
2142/01	46 a 50
/02	50 a 62

2006 CHAVE "T" PARA FRESA
"T" Wrench For Reamer

2058 GUIA DO TÓRAX
Thorax Guide

2059 CHAVE CATRACA
Ratchet Spanner

2060 GUIA
Guide

2080 IMPACTOR POSICIONADOR
Positioner Impactor

1792 GUIA DA FRESA
Reamer Guide

FRESA ACETABULAR
Acetabular Reamer

REF.	Ø mm
2005/40	40
/42	42
/44	44
/46	46
/48	48
/50	50
/52	52
/54	54
/56	56
/58	58
/60	60
/62	62

GUIA EXPANSOR CÔNICO
Conical Expansion Guide

REF.	Ø mm
2111/01	46
/02	48
/03	50
/04	52
/05	54
/06	56
/07	58
/08	60
/09	62

INSTRUMENTAL PARA PRÓTESE DE QUADRIL SEM CIMENTO

Cementless Hip Prosthesis Instruments



FRESA ACETABULAR Acetabular Reamer

REF.	Ø mm
2005/40	40
/42	42
/44	44
/46	46
/48	48
/50	50
/52	52
/54	54
/56	56
/58	58
/60	60
/62	62

FRESA INTRAMEDULAR Intramedullary Reamer

REF.	Ø mm
2082/01	10
/02	11
/03	12
/04	13
/05	14
/06	15
/07	16

FRESA FEMORAL Femoral Reamer

REF.	Ø mm
2014/01	10
/02	11
/03	12
/04	13
/05	14
/06	15
/07	16
/08	17
/09	18

GUIA DE CORTE Cutting Guide

REF.	Ø mm
2022/01	10 a 13
/02	14 a 15
/03	16 a 17

GUIA MEDIDOR ACETABULAR Guide Gauge Acetabular

REF.	Ø mm	REF.	Ø mm
1779/01	44	1779/07	56
/02	46	/08	58
/03	48	/09	60
/04	50	/10	62
/05	52		
/06	54		

MEDIDOR DE COLO DE PROVA Gauge

REF.	Ø mm
2116/01	10 a 14
/02	15 a 18

MEDIDOR Gauge

REF.	Ø mm	COMPR. CAB. Neck Length
2150/01	22	MÉDIO Medium
/02	22	LONGO Long

MEDIDOR Gauge

REF.	Ø mm	COMPR. CAB. Neck Length
2151/01	28	CURTO Short
/02	28	MÉDIO Medium
/03	28	LONGO Long

1792 GUIA DA FRESA
Reamer Guide

2004 IMPACTOR FINAL
Final Impactor

2006 CHAVE EM "T"
"T" Wrench

2015 GUIA DA FRESA
Reamer Guide

2016 GUIA ACETABULAR
Acetabular Guide

2017 GUIA DE BROCA
Drill Guide

2018 BROCA FLEXÍVEL
Flexible Drill

2021 CHAVE COM JUNTA UNIVERSAL
Joint Universal Driver

2679 MEDIDOR DE PROFUNDIDADE FLEXÍVEL
Flexible Depth Gauge

2085 IMPACTOR DE INSERTO 22 mm
Insert Impactor

2086 IMPACTOR DE INSERTO 28 mm
Insert Impactor

2087 IMPACTOR DE ACETÁBULO
Acetabular Impactor

2727 GUIA DO MEDIDOR
Trial Measurer



PRÓTESE FEMORAL MODULAR
Modular Femoral Prosthesis

REF.	Ø mm
1080/01	7,5
/02	10,0
/03	12,5
/04	15,0
/05	17,5

PRÓTESE TIPO MULLER
Prosthesis Muller Type

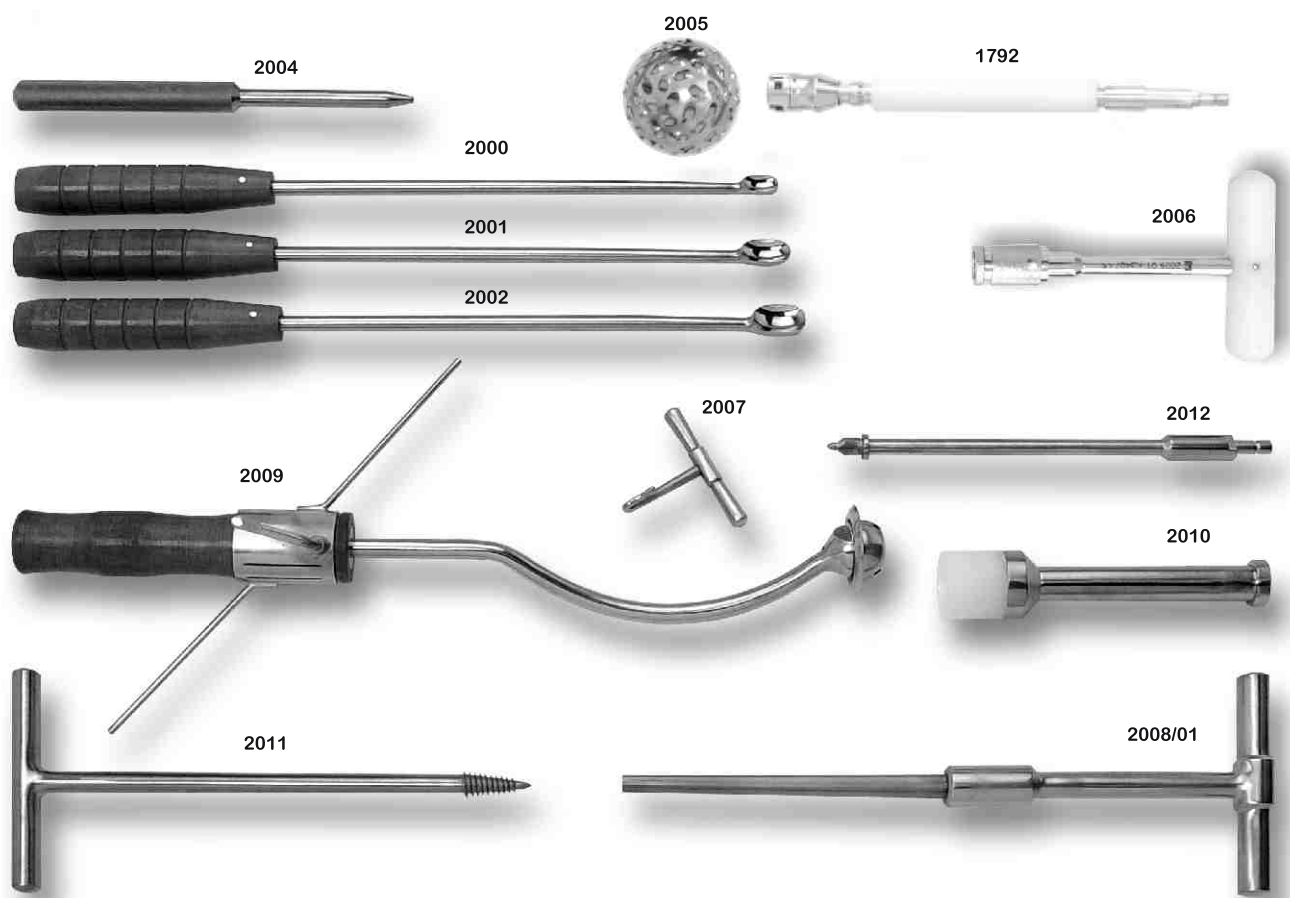
REF.	Ø mm
1008/01	7,5
/02	10,0
/03	12,5
/04	15,0
/05	17,5

CABEÇA INTERCAMBIÁVEL
Interchangeable Head

REF.	Ø mm	COMPR. COLO mm Neck Length
1081/01	32	CURTO Short
/02	32	NORMAL Normal
/03	32	LONGO Long
1082/01	28	CURTO Short
/02	28	NORMAL Normal
/03	28	LONGO Long

INSTRUMENTAL TIPO MULLER

Muller Type Instruments



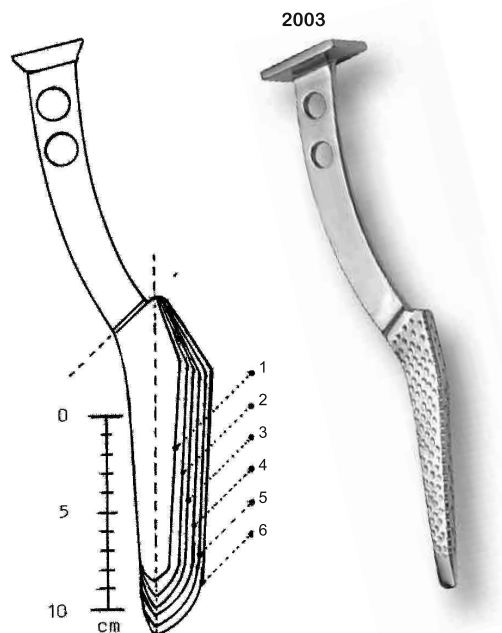
2000	CURETA 9 X 19mm Curette
2001	CURETA 13 X 24mm Curette
2002	CURETA 16 X 27mm Curette
2004	IMPACTOR FINAL Final Impactor
2006	CHAVE "T" PARA FRESA "T" Wrench For Reamer
2007	CHAVE "PAR" Wrench "Pair"
2008/01	FRESA ROTATIVA Taper Reamer
2009	GUIA DE ACETÁBULO Acetabulum Guide
2010	IMPACTOR DE CABEÇA Head Impactor
2011	EXTRATOR DE CABEÇA DE FÊMUR Femoral Head Extractor
2012	BROCA COM STOP Drill With Stop
1792	GUIA DA FRESA Reamer Guide

FRESA ACETABULAR Acetabular Reamer

REF.	Ø mm
2005/40	40
/42	42
/44	44
/46	46
/48	48
/50	50
/52	52
/54	54
/56	56
/58	58
/60	60
/62	62

FRESA Reamer

REF.	Ø mm
2003/01	7,5
/02	10,0
/03	12,5
/04	15,0
/05	17,5
/06	20,0

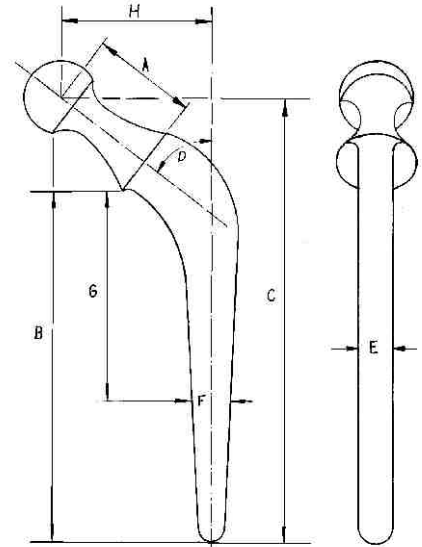


1015/01



INOX
ISO 5832-1
ASTM F.138

1015/02

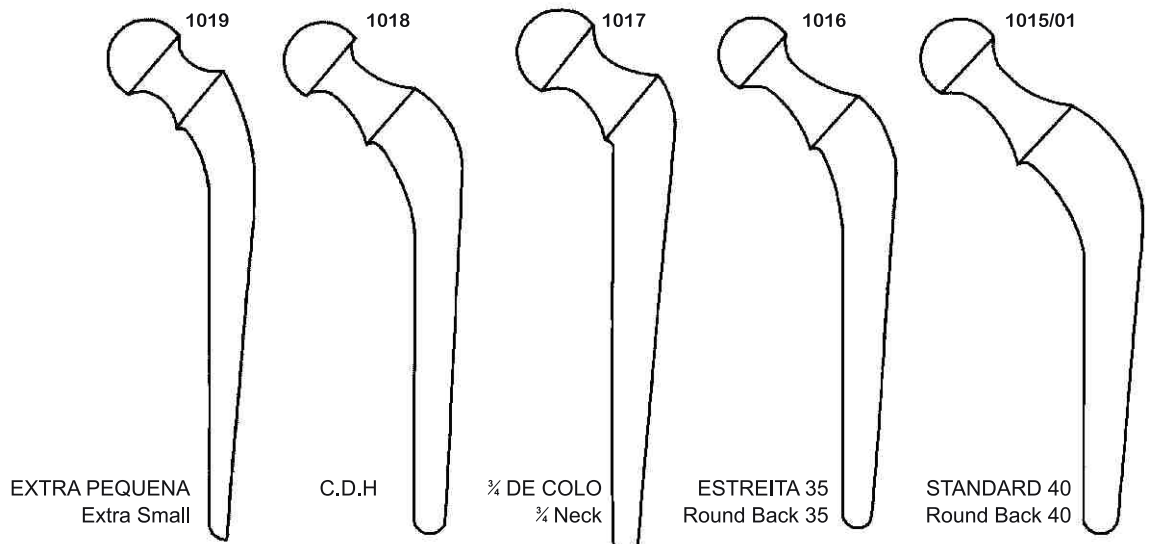


PRÓTESE TIPO CHARNLEY

Charnley Type Prosthesis

REF.		A	B	C	D	E	F	G	H
1015/01	STANDARD 40 Round Back 40	32,0	112	140	50°	9,6	12,6	72	40
1016	ESTREITA 35 Round Back 35	32,0	112	140	50°	8,0	12,6	72	35
1017	¾ COLO ¾ Neck	25,6	112	136	50°	9,6	13,5	61	35
1018	C.D.H. C.D.H.	25,6	113	136	50°	9,6	11,5	62	26
1019	EXTRA PEQUENA Small Extra	20,2	119	140	50°	8,0	9,9	68	27

1015/02 STANDARD 40 MODULAR
Standard Back 40 Modular

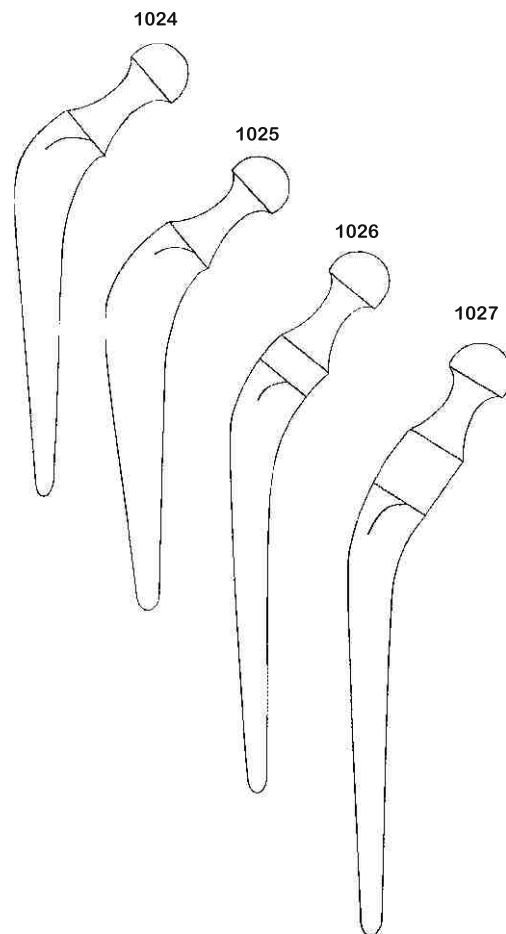
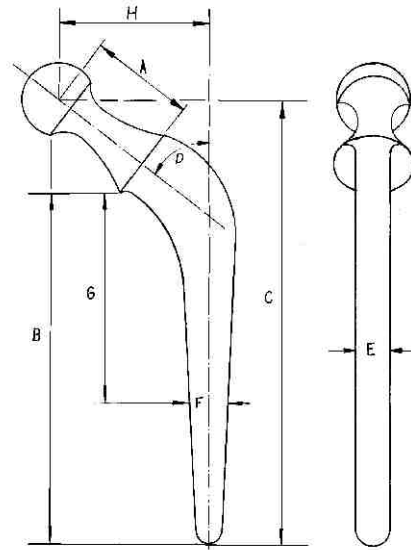


PRÓTESE DE QUADRIL TIPO CHARNLEY

Hip Prosthesis Charnley Type



INOX
ISO 5832-1
ASTM F.138

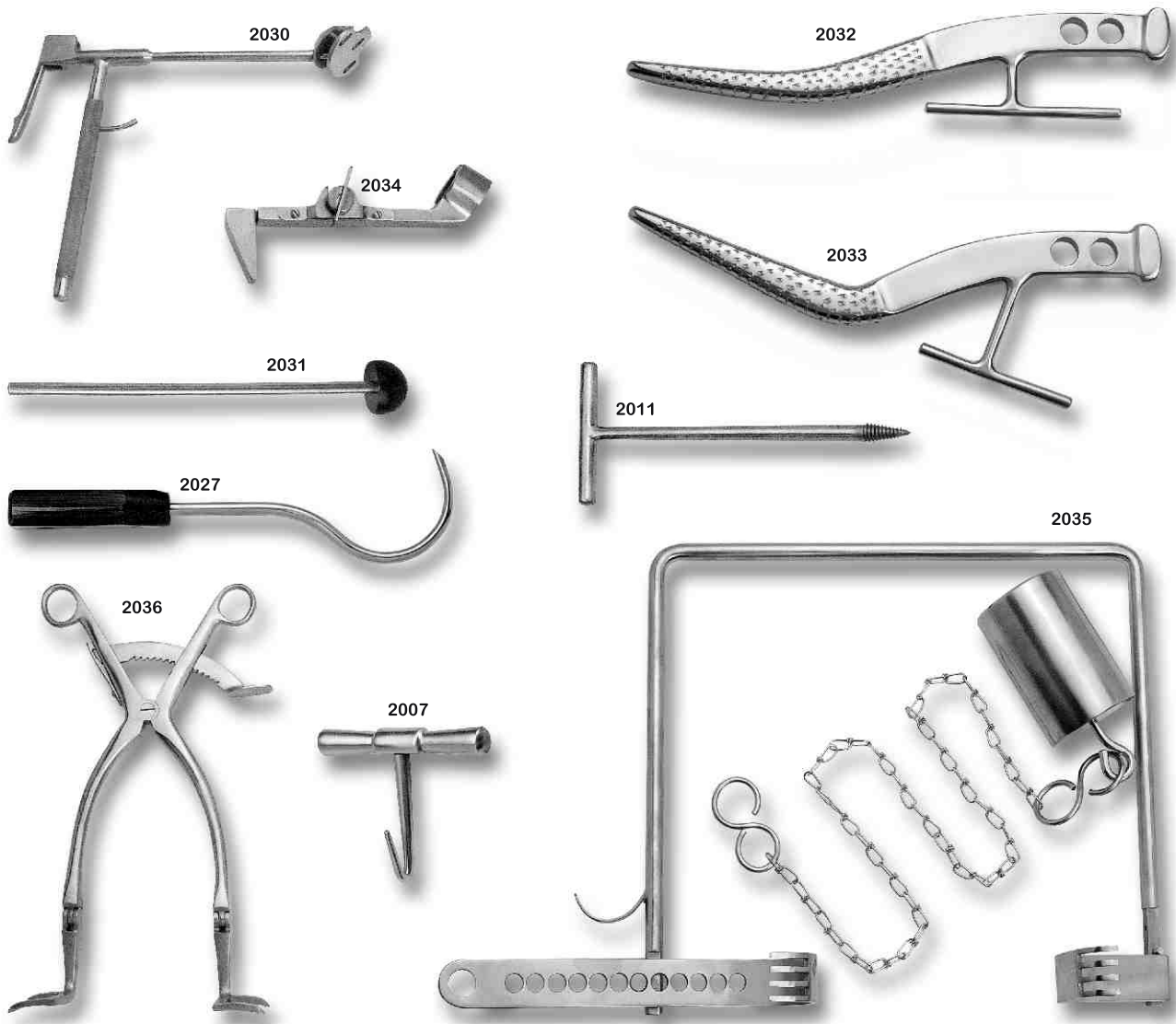


PRÓTESE TIPO CHARNLEY

Charnley Type Prosthesis

REF.	A	B	C	D	E	F	G	H
1024	32	112	140	50°	9,6	12,6	61	40,0
1025	32	112	140	50°	9,6	15,6	61	40,0
1026	42	114	153	50°	9,6	11,6	63	38,4
1027	42	114	153	50°	9,6	15,6	63	38,4

1028 PRÓTESE CHARNLEY MODULAR FLANGE
Modular Flange Charnley Prosthesis

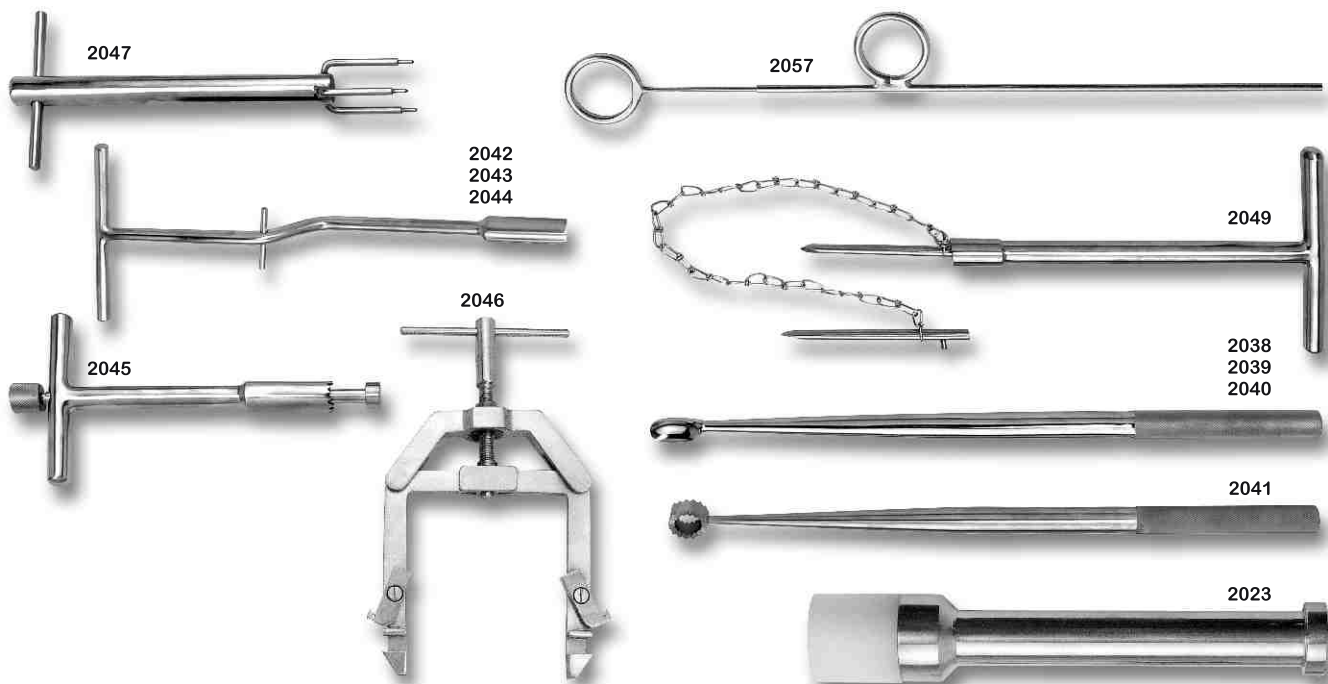


2007	CHAVE (PAR) Wrench (Pair)
2011	EXTRATOR DE CABEÇA DE FÊMUR Femoral Head Extractor
2027	GUIA DO FIO Wire Guide
2030	GUIA DE ACETÁBULO Acetabular Guide
2031	IMPACTOR DE CÁPSULA Cup Impactor
2032	FRESA RETA Straight Reamer

2033	FRESA CURVA Curved Reamer
2034	GUIA E IMPACTOR DE PRÓTESES Prosthesis Guide And Impactor
2035	AFASTADOR INICIAL Starting Retractor
2036	AFASTADOR BECKMAN ADSON Beckman Adson Retractor

INSTRUMENTAL TIPO CHARNLEY

Charnley Type Instruments



2023 *IMPACTOR*
Impactor

2038 *CURETA PEQUENA 380mm*
Curette Small

2039 *CURETA MÉDIA 380mm*
Curette Medium

2040 *CURETA GRANDE 380mm*
Curette Large

2041 *CURETA DENTADA 380mm*
Curette Ring

2042 *GUIA ÊMBOLO PEQUENO*
Small Sliding Rod

2043 *GUIA ÊMBOLO MÉDIO*
Medium Sliding Rod

2044 *GUIA ÊMBOLO GRANDE*
Large Sliding Rod

2045 *FRESA COM ÊMBOLO DESLIZANTE*
Miller With Reamer Sliding Rod

2046 *EXTRATOR*
Extractor

2047 *PERFURADOR*
Perforator

2049 *AFASTADOR PARA PINOS*
Pin Retractor Set

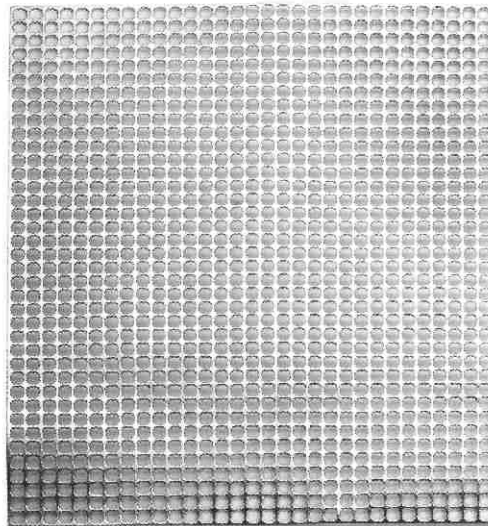
2057 *EXTRATOR DE AR*
Breather

1236

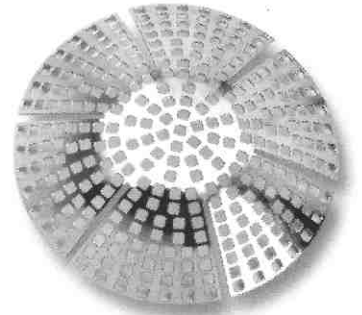


Titanium
Ti 6AL 4V EII
ISO 5832-3
ASTM F.136

1145



1146



INOX
ISO 5832-1
ASTM F.139

PRÓTESE DE REVISÃO
Revision Prosthesis

REF.	Ø mm
1236/01	14 x 190
/02	15 x 190
/03	16 x 190
/04	17 x 190
/05	18 x 190
/06	19 x 190
/07	20 x 190

PRÓTESE DE REVISÃO
Revision Prosthesis

REF.	Ø mm
1236/08	14 x 225
/09	15 x 225
/10	16 x 225
/11	17 x 225
/12	18 x 225
/13	19 x 225
/14	20 x 225

PRÓTESE DE REVISÃO
Revision Prosthesis

REF.	Ø mm
1236/17	14 x 265
/18	15 x 265
/19	16 x 265
/20	17 x 265
/21	18 x 265
/22	19 x 265
/23	20 x 265

1145

TELA METÁLICA RETANGULAR
Retangular Metal Screen

1146

TELA METÁLICA REDONDA
Circular Metal Screen

INSTRUMENTAL PARA PRÓTESE DE REVISÃO PARA QUADRIL

Instruments For Hip Revision Prosthesis



MEDIDOR FEMORAL
Femoral Depth Gauge

REF.	Ø mm
7044/01	14 x 265
/02	15 x 265
/03	16 x 265
/04	17 x 265
/05	18 x 265
/06	19 x 265
/07	20 x 265

FRESA
Reamer

REF.	Ø mm
7045/01	14 x 265
/02	15 x 265
/03	16 x 265
/04	17 x 265
/05	18 x 265
/06	19 x 265
/07	20 x 265

MEDIDOR DE CABEÇA
Trial Head

REF.	Ø mm
2858/01	28 Curto
/02	28 Médio
/03	28 Longo

7046 **IMPACTOR / EXTRATOR**
Impactor / Extractor

2006 **CHAVE "T"**
"T" Wrench

2360/02 **MARTELO 500g**
Hammer 500g

1032



1031



INOX
 ISO 5832-1
 ASTM F.138

PLACA RETA
Straight Plate

REF.	FUROS Holes
1032/01	5
/02	7
/03	9
/04	11
/05	13
/06	15

1031 CABO PARA CERCLAGE
 Cerclage Cable

INSTRUMENTAL DE CABO E PLACA PARA CERCLAGEM

Instruments For Cerclage And Cable Plate



2072 BROCA 3,2mm
Drill

2335/01 OSTEOTOMO RETO Ø 6,4 mm
Straigh Osteotome

2335/02 OSTEOTOMO RETO Ø 13 mm
Straigh Osteotome

4636 CORTADOR DE CABO
Cable Cutter

4637 MODELADOR DA PRESILHA
Sleeve Bender

4654 EXTRATOR DE CABO
Cable Extractor

4655/01 GUIA DO CABO PEQUENO
Cable Guide Small

4655/02 GUIA DO CABO MÉDIO
Cable Guide Medium

4655/03 GUIA DO CABO GRANDE
Cable Guide Large

4656 MEDIDOR
Depht Gauge

4657 PINÇA
Forceps

2061



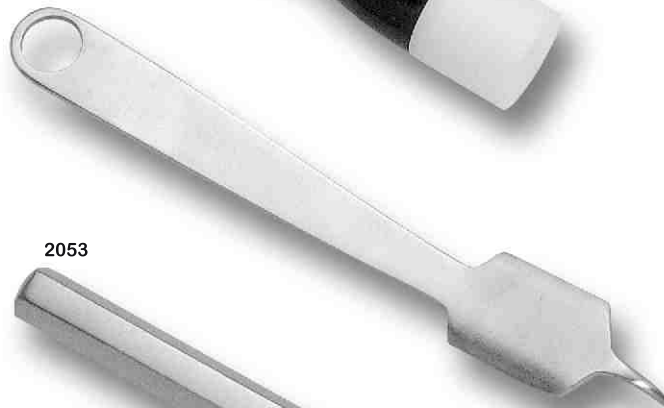
2011



2051



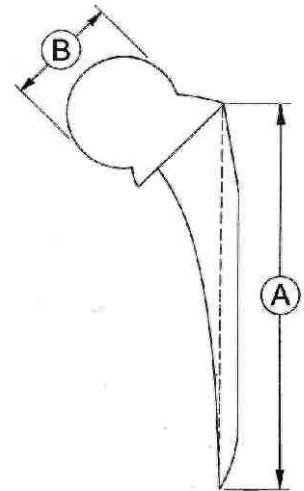
2249/02



2053



1066



INOX
 ISO 5832-1
 ASTM F.138
 ASTM F.139

2011 *EXTRATOR DE CABEÇA DE FÊMUR*
Femoral Head Extractor

2051 *IMPACTOR*
Impactor

2053 *OSTEÓTOMO DE LIGAMENTO*
Ligament Knife

2061 *FRESA*
Reamer

2249/02 *AFASTADOR DE HOHMANN*
Hohmann Retractor

PRÓTESE TIPO MOORE
Prosthesis Moore Type

REF.	A	B
1066/01	110	39
/02	110	41
/03	110	43
/04	110	45
/05	110	47
/06	110	49
/07	110	51
/08	110	53

PRÓTESE DE QUADRIL TIPO THOMPSON

Hip Prosthesis Thompson Type

2052



2011



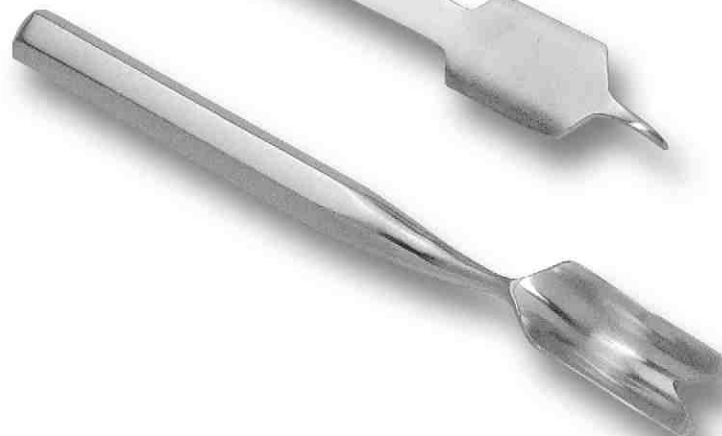
2051



2249/02



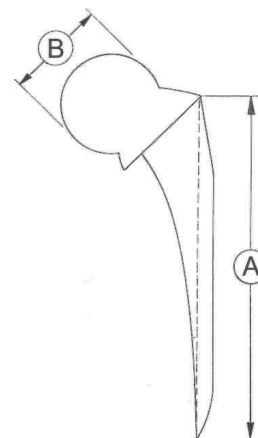
2053



1060



INOX
ISO 5832-1
ASTM F.138
ASTM F.139



PRÓTESE TIPO THOMPSON

Prosthesis Thompson Type

REF.	A	B
1060/01	110	39
/02	110	41
/03	110	43
/04	110	45
/05	110	47
/06	110	49
/07	110	51
/08	110	53

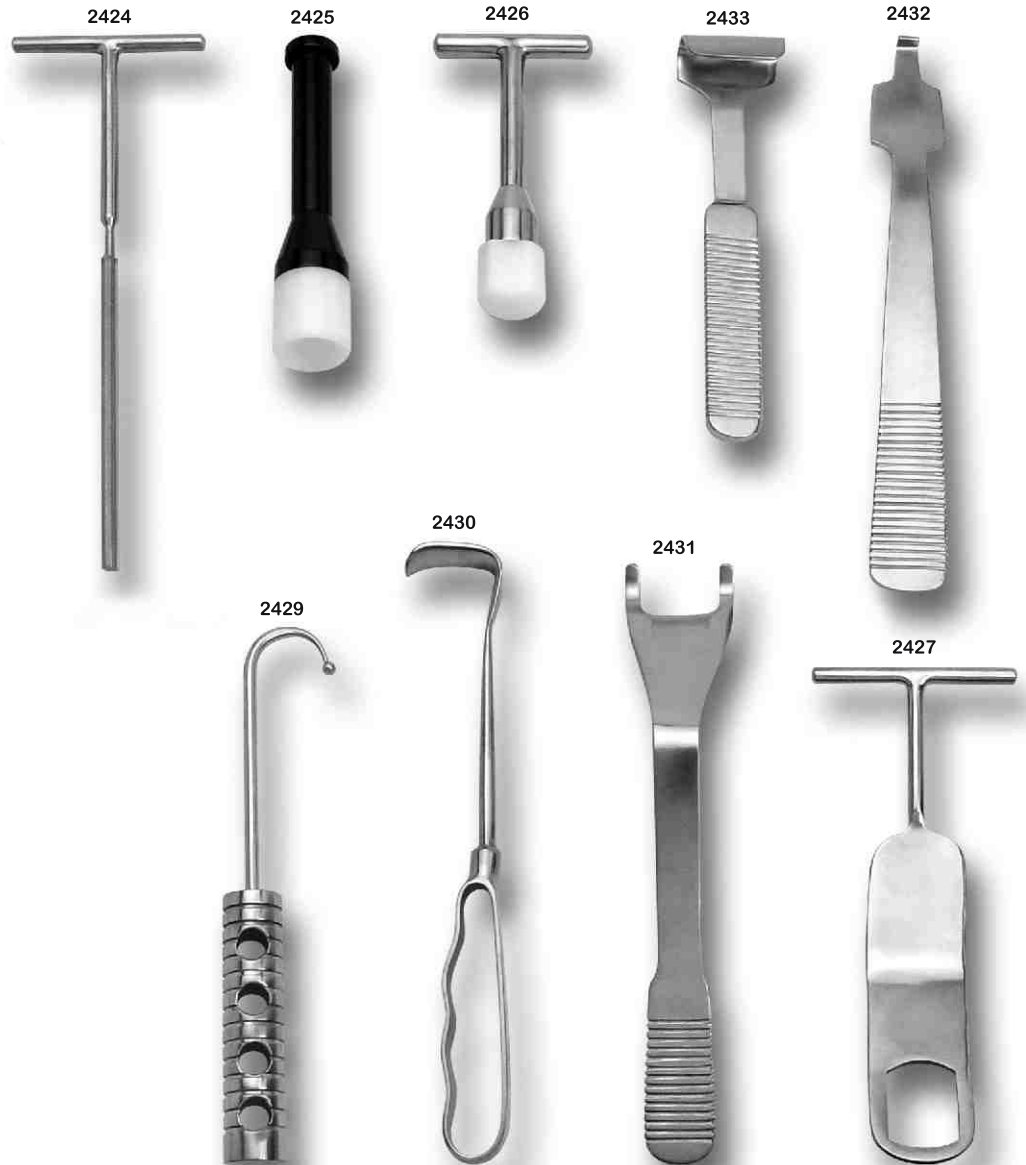
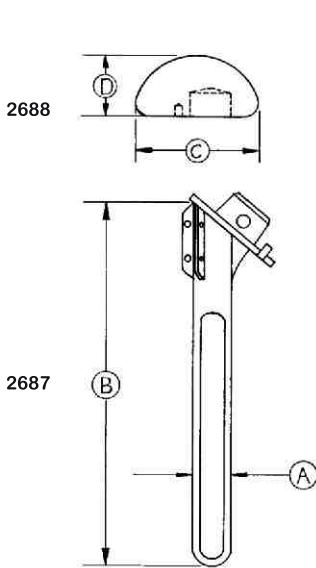
2011 *EXTRATOR DE CABEÇA DE FÊMUR*
Femoral Head Extractor

2051 *IMPACTOR*
Impactor

2052 *FRESA*
Reamer

2053 *OSTEÓTOMO DE LIGAMENTO*
Ligament Knife

2249/02 *AFASTADOR DE HOHMANN*
Hohmann Retractor



FRESA UMERAL
Humeral Reamer

REF.	Ø mm
2424/01	7
/02	9
/03	11

MEDIDOR PRÓTESE UMERAL
Humeral Prosthesis Gauge

REF.	A	B
2687/01	7	125
/02	9	125
/03	9	150
/04	11	125
/05	11	150

MEDIDOR CABEÇA INTERCAMBIÁVEL CÊNTRICA
Interchangeable Centric Head Gauge

REF.	C	D
2688/01	39	11
/02	44	16
/03	49	25

2425 **IMPACTOR PRÓTESE UMERAL**
Humeral Prosthesis Impactor

2426 **IMPACTOR GLENÓIDE**
Glenoid Impactor

2427 **AFASTADOR FUKUDA**
Fukuda Retractor

2429 **AFASTADOR GANCHO UMERAL**
Humeral Hook Retractor

2430/01 **AFASTADOR UMERAL PEQUENO**
Small Humeral Retractor

2430/02 **AFASTADOR UMERAL GRANDE**
Large Humeral Retractor

2431/01 **AFASTADOR GLENÓIDE PEQUENO**
Small Glenoid Retractor

2431/02 **AFASTADOR GLENÓIDE GRANDE**
Large Glenoid Retractor

2432/01 **AFASTADOR ANTERIOR GLENÓIDE PEQUENO**
Small Anterior Glenoid Retractor

2432/02 **AFASTADOR ANTERIOR GLENÓIDE GRANDE**
Large Anterior Glenoid Retractor

2433/01 **AFASTADOR DELTÓIDE PEQUENO**
Small Deltoid Retractor

2433/02 **AFASTADOR DELTÓIDE GRANDE**
Large Deltoid Retractor

PRÓTESE DE OMBRO TIPO NEER

Shoulder Prosthesis Neer Type

1071



Polyethylene
ISO 5834-2
ASTM F.648

1074
1075



1071 **PRÓTESE ESCAPULAR**
Scapular Prosthesis

CABEÇA INTERCAMBIÁVEL CÊNTRICA
Centric Interchangeable Head

REF.	C	D
1074/01	39	11
/02	44	16
/03	49	25

CABEÇA INTERCAMBIÁVEL EXCÊNTRICA
Excentric Interchangeable Head

REF.	C	D
1075/01	39	11
/02	44	16
/03	49	25

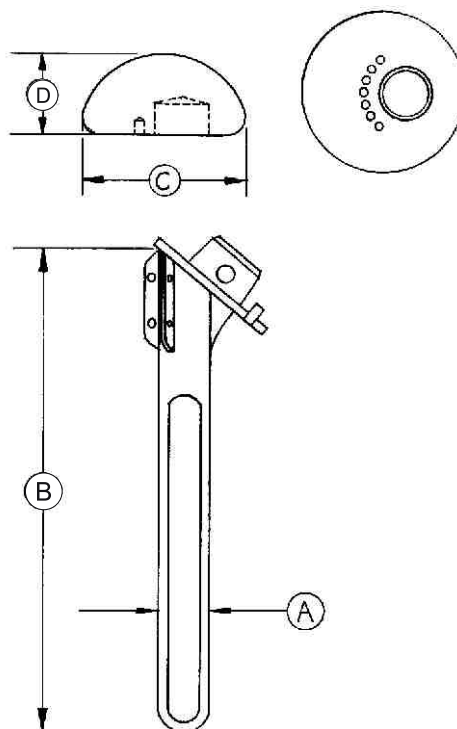
1076



Cr Co Mo
ISO 5832-4
ASTM F.75

PRÓTESE UMERAL
Humeral Prosthesis

REF.	A	B
1076/01	7	125
/02	9	125
/03	9	150
/04	11	125
/05	11	150





INOX
ISO 5832-1
ASTM F.138

1022

1021

1020

PRÓTESE DE REVISÃO SIGMA
Sigma Hip Revision Prosthesis

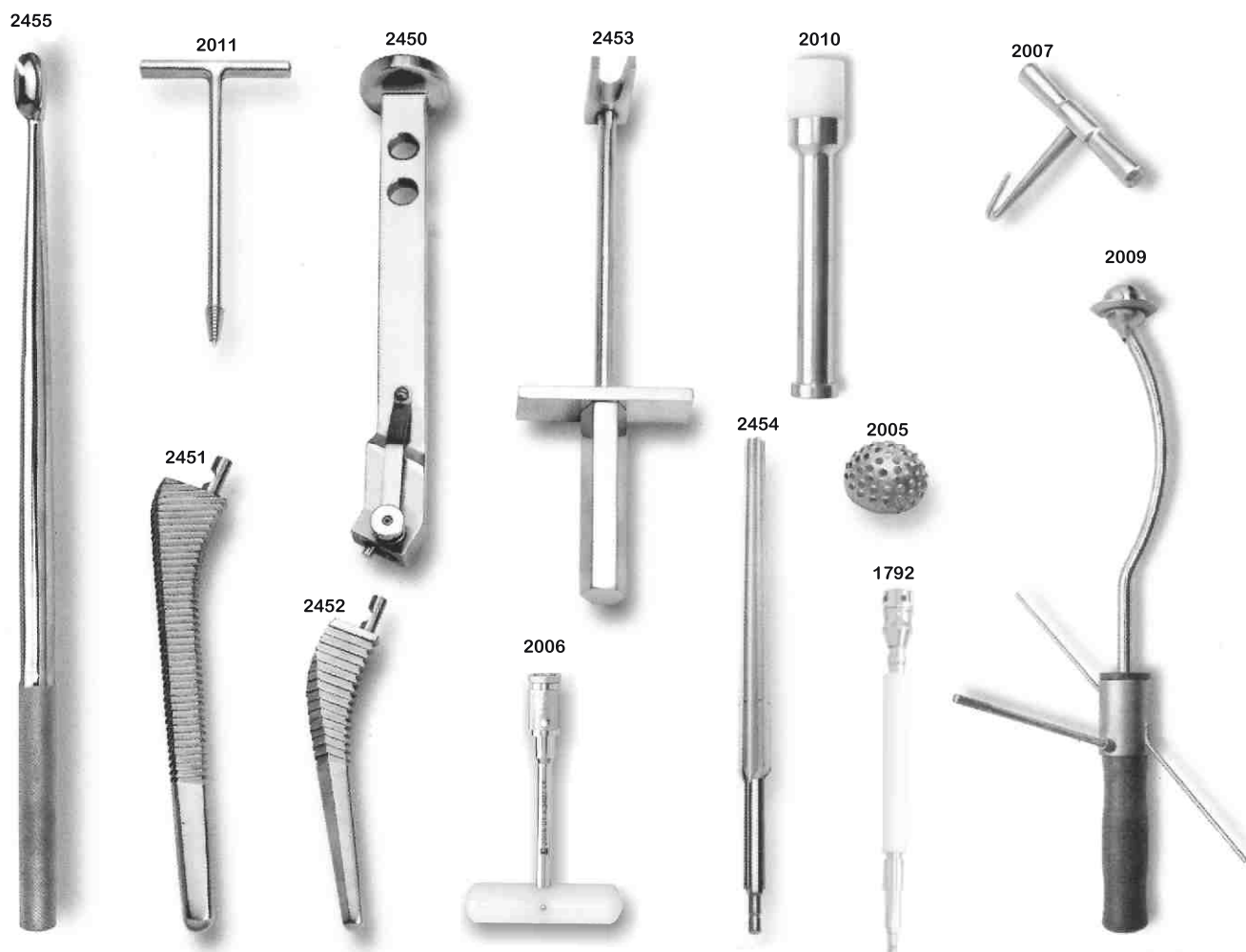
REF.	MODELO Model
1021	STANDARD Standard
1022	COM CALCAR With Step

PRÓTESE DE REVISÃO SIGMA
Sigma Hip Revision Prosthesis

REF.	COMPRIMENTO DA HASTE mm Stem Length
1020/01	180
/02	210
/03	250
/04	280

INSTRUMENTAL PARA PRÓTESE DE QUADRIL SIGMA

Sigma Hip Prosthesis Instruments



FRESA ACETABULAR Acetabular Reamer

REF.	Ø mm
2005/40	40
/42	42
/44	44
/46	46
/48	48
/50	50
/52	52
/54	54
/56	56
/58	58
/60	60
/62	62

2006	CHAVE "T" PARA FRESA "T" Wrench For Reamer
2007	CHAVE "PAR" Wrench "Pair"
2009	GUIA DE ACETÁBULO Cup Positioner
2010	IMPACTOR Impactor
2011	EXTRATOR DE CABEÇA DE FÊMUR Femoral Head Extractor
2450	GUIA DE FRESA Reamer Guide

2451	GUIA DE REVISÃO Revision Guide
2452	FRESA STANDARD Standard Reamer
2453	EXTRATOR DE HASTE Stem Extractor
2454	FRESA ROTATIVA Rotational Reamer
2455	CURETA 13 x 24mm Curette
1792	GUIA DA FRESA Reamer Guide

1040
1084

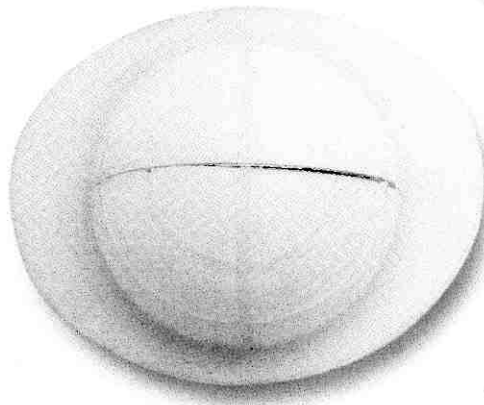


INOX
ISO 5832-1
ASTM F.139

1085



1052



Polyethylene
ISO 5834-2
ASTM F.648

REFORÇO METÁLICO

Metal Back

REF.	TAMANHO mm
	Size
1085/01	44
/02	50
/03	54

PRÓTESE ACETABULAR TIPO CHARNLEY

Acetabular Prosthesis Charnley Type

REF.	MODELO	TAMANHO mm
	Model	Size
1052/01	COM FLANGE	40
	With Flange	40
1052/02	COM FLANGE	43
	With Flange	43

PRÓTESE ACETABULAR TIPO MULLER

Acetabular Prosthesis Muller Type

REF.	TAMANHO mm
	Size
1040/42	42 x 32
/44	44 x 32
/46	46 x 32
/48	48 x 32
/50	50 x 32
/52	52 x 32
/54	54 x 32
/56	56 x 32
/58	58 x 32

*OBS. Usar parafuso
Cortical Ø 4,5 mm
esponjoso Ø 6,5 mm
Broca de Ø 3,2 mm.

*OBS.
Use screw
Cortical Ø 4,5 mm
cancellous Ø 6,5 mm
Drill Ø 3,2 mm.

PRÓTESE ACETABULAR TIPO MULLER

Acetabular Prosthesis Muller Type

REF.	TAMANHO mm
	Size
1084/42	42 x 28
/44	44 x 28
/46	46 x 28
/48	48 x 28
/50	50 x 28
/52	52 x 28
/54	54 x 28
/56	56 x 28
/58	58 x 28

PRÓTESE ACETABULAR

Acetabular Prosthesis



Titanium
Ti 6AL 4v Eli
ISO 5832-3
ASTM F.136

Polyethylene
ISO 5834-2
ASTM F.648

Inox
ISO 5832-1
ASTM F.138

Polyethylene
ISO 5834-2
ASTM F.648

1081
1082
1083

Inox
ISO 5832-1
ASTM F.138

PRÓTESE ACETABULAR EXPANSIVO COM REBORDO

Expansive Acetabular Prosthesis With Flange

REF.	EXT. Ø mm		CAB Ø mm
	Ext.	Head	
1056/46	46	28	
/48	48	28	
/50	50	28	
/52	52	28	
/54	54	28	
/56	56	28	
/58	58	28	
/60	60	28	
/62	62	28	

PRÓTESE ACETABULAR BIPOLAR

Bipolar Acetabular Prosthesis

REF.	EXT. Ø mm		CABØ mm
	Ext.	Head	
1014/39	39	22	
/41	41	22	
/43	43	22	
/45	45	28	
/47	47	28	
/49	49	28	
/51	51	28	
/53	53	28	

PRÓTESE ACETABULAR APARAFUSADA COM PLASMA SPRAY COM REBORDO

Acetabular Prosthesis Screwed With Plasma Spray With Flange

REF.	EXT. Ø mm		CAB Ø mm
	Ext.	Head	
1009/40	40	22	
/42	42	22	
/44	44	22	
/46	46	28	
/48	48	28	
/50	50	28	
/52	52	28	
/54	54	28	
/56	56	28	
/58	58	28	
/60	60	28	
/62	62	28	

PRÓTESE BIPOLAR

Bipolar Prosthesis

REF.	EXT. Ø mm		CAB Ø mm
	Ext.	Head	
1013/39	39	22	
/41	41	22	
/43	43	22	
/45	45	28	
/47	47	28	
/49	49	28	
/51	51	28	
/53	53	28	

PRÓTESE ACETABULAR APARAFUSADA COM MALHA E COM REBORDO

Acetabular Prosthesis Screwed With Flange

REF.	EXT. Ø mm		CAB Ø mm
	Ext.	Head	
1048/40	40	22	
/42	42	22	
/44	44	22	
/46	46	28	
/48	48	28	
/50	50	28	
/52	52	28	
/54	54	28	
/56	56	28	
/58	58	28	
/60	60	28	
/62	62	28	

PRÓTESE ACETABULAR EXPANSÃO SEM REBORDO

Expansive Acetabular Prosthesis Without Flange

REF.	EXT. Ø mm		CAB Ø mm
	Ext.	Head	
1006/46	46	28	
/48	48	28	
/50	50	28	
/52	52	28	
/54	54	28	
/56	56	28	
/58	58	28	
/60	60	28	
/62	62	28	

CABEÇA INTERCAMBIÁVEL

Interchangeable Head

REF.	EXT. Ø mm	CAB Ø mm	
		Ext.	Head
1081/01	32	CURTO 30	Short 30
/02	32	NORMAL 34	Normal 34
/03	32	LONGO 40	Long 40
1082/01	28	CURTO	Short
/02	28	NORMAL	Normal
/03	28	LONGO	Long
1083/01	22	MÉDIO	Medium
/02	22	LONGO	Long



FRESA EM "T"
"T" Reamer

REF.Ø mm	
2166/01	12
/02	14
/03	16

2004	<i>IMPACTOR FINAL</i> <i>Final Impactor</i>
2075	<i>CHAVE HEXAGONAL</i> <i>Hex Head Screw Driver</i>
2360/01	<i>MARTELO DE AÇO INOXIDÁVEL 350 gr</i> <i>Stainless Steel Mallets 350 gr</i>
2152	<i>EXTRATOR DE ANEL</i> <i>Ring Extractor</i>
2153	<i>EXTRATOR CUNHA</i> <i>Wedge Extractor</i>
2159	<i>GUIA DE MONTAGEM</i> <i>Assembly Guide</i>

PRÓTESE TOTAL MODULAR NÃO CONVENCIONAL COM ROTAÇÃO

Modular Non Conventional Total Knee Prosthesis With Rotation

1096
1097

Titanium
Ti 6AL 4v Eli
ISO 5832-3
ASTM F. 136

Polyethylene
ISO 5834-2
ASTM F.648

155 mm. Stand.

Sistema modular de montagem através de CONE MORSE que dispensa o envio de radiografia.

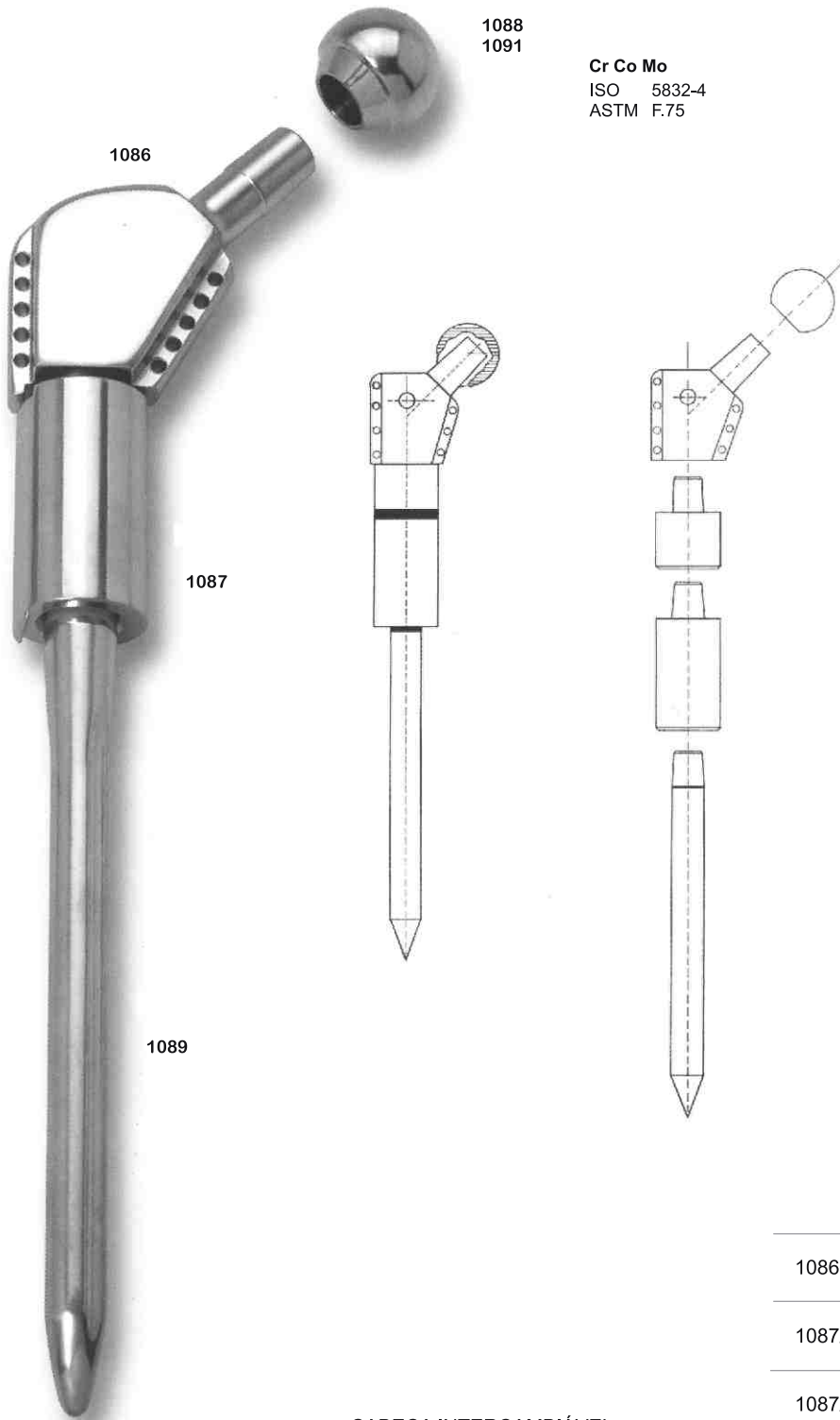
Modular assembly system through Morse Cone, avoiding comparison with the X-Ray

1096	JOELHO ARTICULADO ESQUERDO <i>Left Articulated Knee</i>
1097	JOELHO ARTICULADO DIREITO <i>Right Articulated Knee</i>

1089

HASTE
Stem

REF.	Ø mm	COMPR. mm <i>Length</i>
1089/01	11	150
/02	12	155
/03	13	160
/04	14	165



1088
1091

Cr Co Mo
ISO 5832-4
ASTM F.75

1086

1087

1089

Titanium
Ti 6AL 4v Eli
ISO 5832-3
ASTM F.136

CABEÇA INTERCAMBIÁVEL

Interchangeable Head

REF.	Ø mm	COMPR. COLO Neck Length
1088/01	28	CURTO Short
/02	28	MÉDIO Medium
/03	28	LONGO Long
1091/01	22	MÉDIO Medium
/02	22	LONGO Long

INDICAÇÕES

Indication

- 01) Ressecção em bloco de tumor ósseo primário metastático.
- 02) Para fraturas de 1/3 proximal o Fêmur.
- 03) Para revisão de prótese total prévia. Prótese modular com encaixe em cone Morse, podendo adicionar comprimento, o quanto precisar ressecar o osso, sem necessidade de medidas prévias, sendo válido tanto para traumas e metastáticos como em fraturas ou revisão de próteses anteriores.

Existem ainda outras vantagens, as quais onde há necessidade de cimentar o conjunto, com exagero de retro ou antiretro, desconecta-se a prótese na região do cone e pode se ajustá-la sem problemas ou perda de tempo, na posição que se desejar.

O cirurgião terá ao seu dispor uma enorme variedade de opções, no que diz respeito a cirurgia de quadril, e em tumores primário e metastático do osso nessa região.

- 01) Resection in "blok" of the bone tumor (primary methastatic).
- 02) For fracture 1/3 proximal of femur.
- 03) For revision of previous total arthroplasty.

Modular prosthesis with morse cone insertion, with the possibility of adding the length after resection of bone. Indication in cases of trauma and methastatics as in fracture or revision of previous prosthesis.

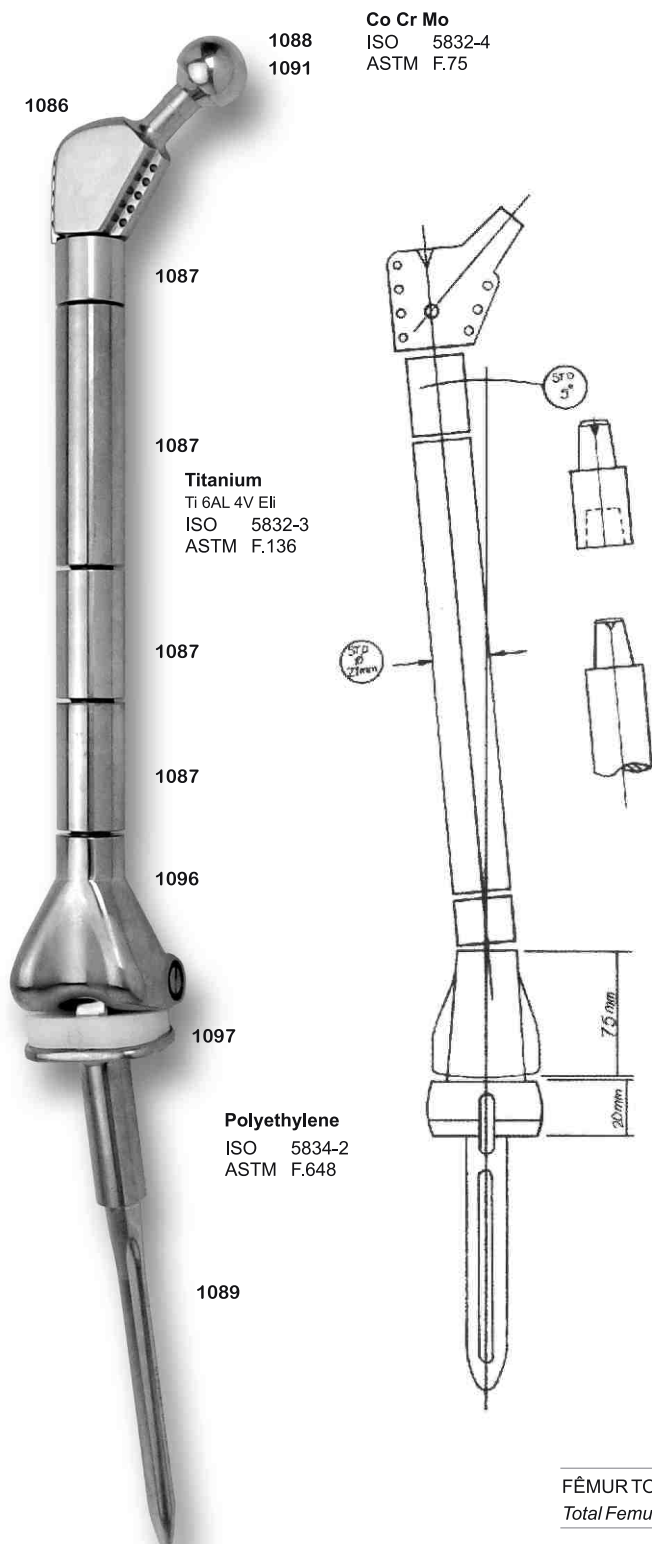
There is another advantage, when there is the necessity of cementing the whole, with exaggeration of forward and backward, this disconnecting the prosthesis from the cone region, adjusting it with no loss of time in the desired position.

The surgeon will have vast possibility of options regarding hip surgery, primary tumours and in methastatic of bone in this region.

1086	SUPORE DE CABEÇA Head Support	
1087/01	MÓDULO Module	25 mm
1087/02	MÓDULO Module	50 mm
1089/01	HASTE Stem	Ø 11,0 x 150
1089/02	HASTE Stem	Ø 12,0 x 155
1089/03	HASTE Stem	Ø 13,0 x 160
1089/04	HASTE Stem	Ø 14,0 x 165

PRÓTESE MODULAR NÃO CONVENCIONAL

Non Conventional Modular Prosthesis



1086	SUPORE DE CABEÇA <i>Head Support</i>
1096	JOELHO ARTICULADO ESQUERDO <i>Left Articulated Knee</i>
1097	JOELHO ARTICULADO DIREITO <i>Right Articulated Knee</i>

CABEÇA INTERCAMBIÁVEL

Interchangeable Head

REF.	Ø mm	COMPR. COLO Neck Length
1088/01	28	CURTO Short
1088/02	28	NORMAL Normal
1088/03	28	LONGO Long
1091/01	22	NORMAL Normal
1091/02	22	LONGO Long

MÓDULO

Module

REF.	COMPR. mm Length
1087/01	25
1087/02	50
1087/03	72
1087/04	96
1087/05	200
1087/06	206
1087/07	212
1087/08	218
1087/09	224
1087/10	230
1087/11	236

FÊMUR TOTAL + JOELHO ARTICULADO

Total Femur + Articulated Knee

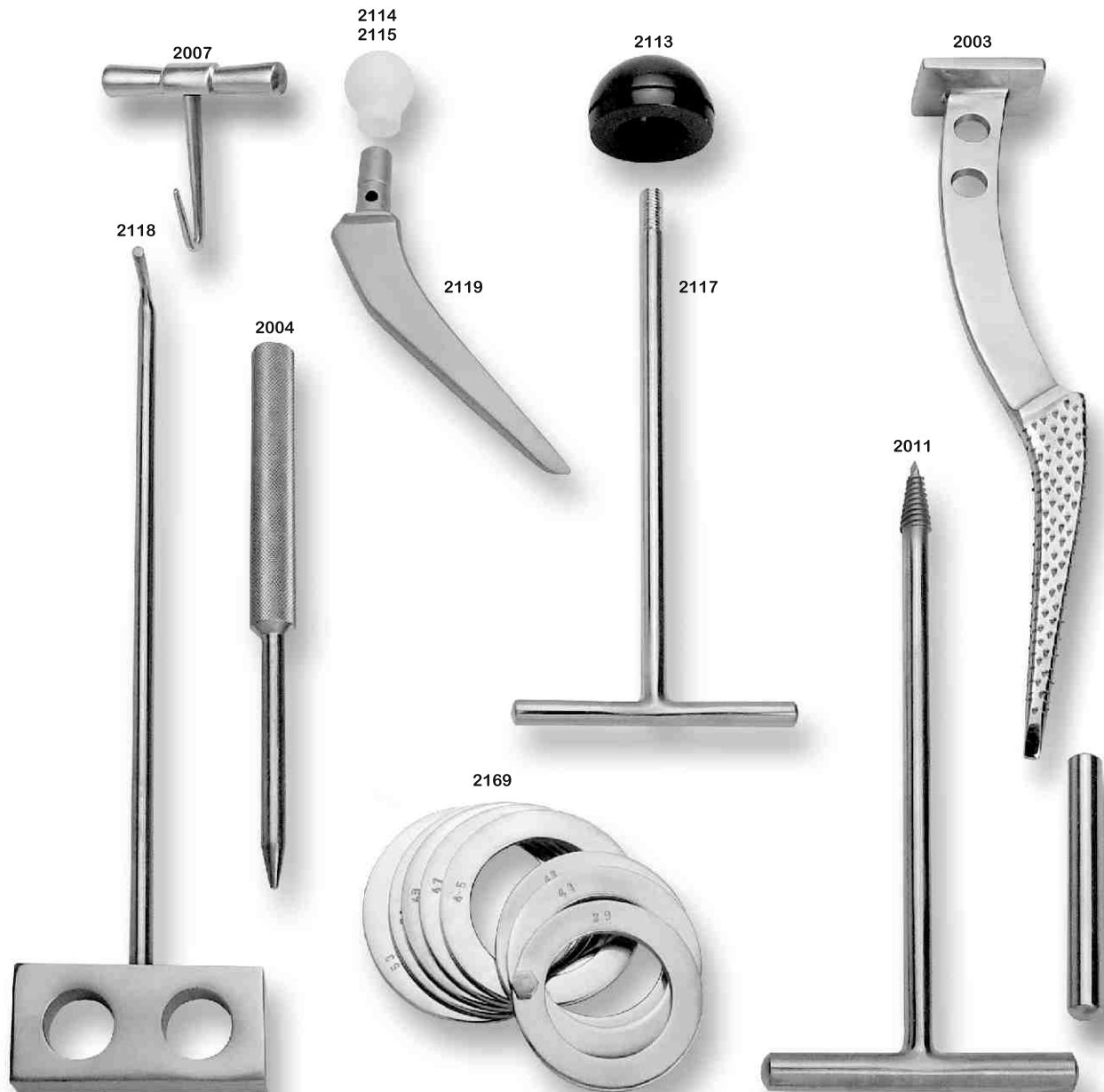
Sistema modular de montagem através de CONE MORSE que dispensa o envio de radiografia.

Modular assembling system through MORSE CONE avoiding comparison with the X-Ray

HASTE

Stem

REF.	Ø mm	COMPR. mm Length
1089/02	12	155
/03	14	165



MEDIDOR FEMORAL
Femoral Gauge

REF.	Ø mm
2119/01	7,5
/02	10,0
/03	12,5
/04	15,0
/05	17,5
/06	20,0

FRESA
Reamer

REF.	Ø mm
2003/01	7,5
/02	10,0
/03	12,5
/04	15,0
/05	17,5
/06	20,0

MEDIDOR DE CÂPSULAS
Cup Size Gauges

REF.	Ø mm
2113/01	39
/02	41
/03	43
/04	45
/05	47
/06	49
/07	51
/08	53

MEDIDOR DE PROVA
Trial Gauge

REF.	Ø mm	COMPR. COLO
2114/01	22	MÉDIO
		LONGO
		LONGO
2115/01	28	CURTO
		LONGO
		LONGO

2004 **IMPACTOR FINAL**
Final Impactor

2007 **CHAVE (PAR)**
Wrench (Pair)

2011 **EXTRATOR DE CABEÇA FEMORAL**
Femoral Head Extractor

2117 **CHAVE "T"**
"T" Wrench

2118 **EXTRATOR DE HASTE**
Rod Extractor

2169 **MEDIDOR DE CABEÇA DE FÊMUR**
Femur Head Gauge

3562
3563
3564
3565



3013
3094
3095



4862



4861

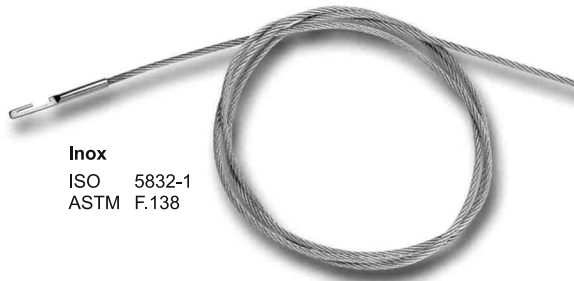


Titanium
Ti 6AL 4v EII
ISO 5832-3
ASTM F. 136

4863/01



2966



Inox
ISO 5832-1
ASTM F.138

2966 EXTRATOR DE CABO
Cable Extractor

4863/01 ARRUELA DENTADA
Dented Washer

PARAFUSO DE INTERFERÊNCIA
Interference Screw

REF.	Ø mm
3095/01	9 x 20
/02	9 x 25
/03	9 x 30

PARAFUSO DE INTERFERÊNCIA
Interference Screw

REF.	Ø mm
3013/01	8 x 20
/02	8 x 25
/03	8 x 30

PARAFUSO DE INTERFERÊNCIA
Interference Screw

REF.	Ø mm
3094/01	7 x 20
/02	7 x 25
/03	7 x 30

PARAFUSO DE INTERFERÊNCIA EXPANSIVO
Expansive Interference Screw

REF.	Ø mm
3562/01	7 x 25
/02	7 x 30
/03	7 x 35
/04	7 x 40
3563/01	8 x 25
/02	8 x 30
/03	8 x 35
/04	8 x 40
3564/01	9 x 25
/02	9 x 30
/03	9 x 35
/04	9 x 40
3565/01	10 x 30
/02	10 x 35
/03	10 x 40

PARAFUSO TRANSLOCK
Translock Screw

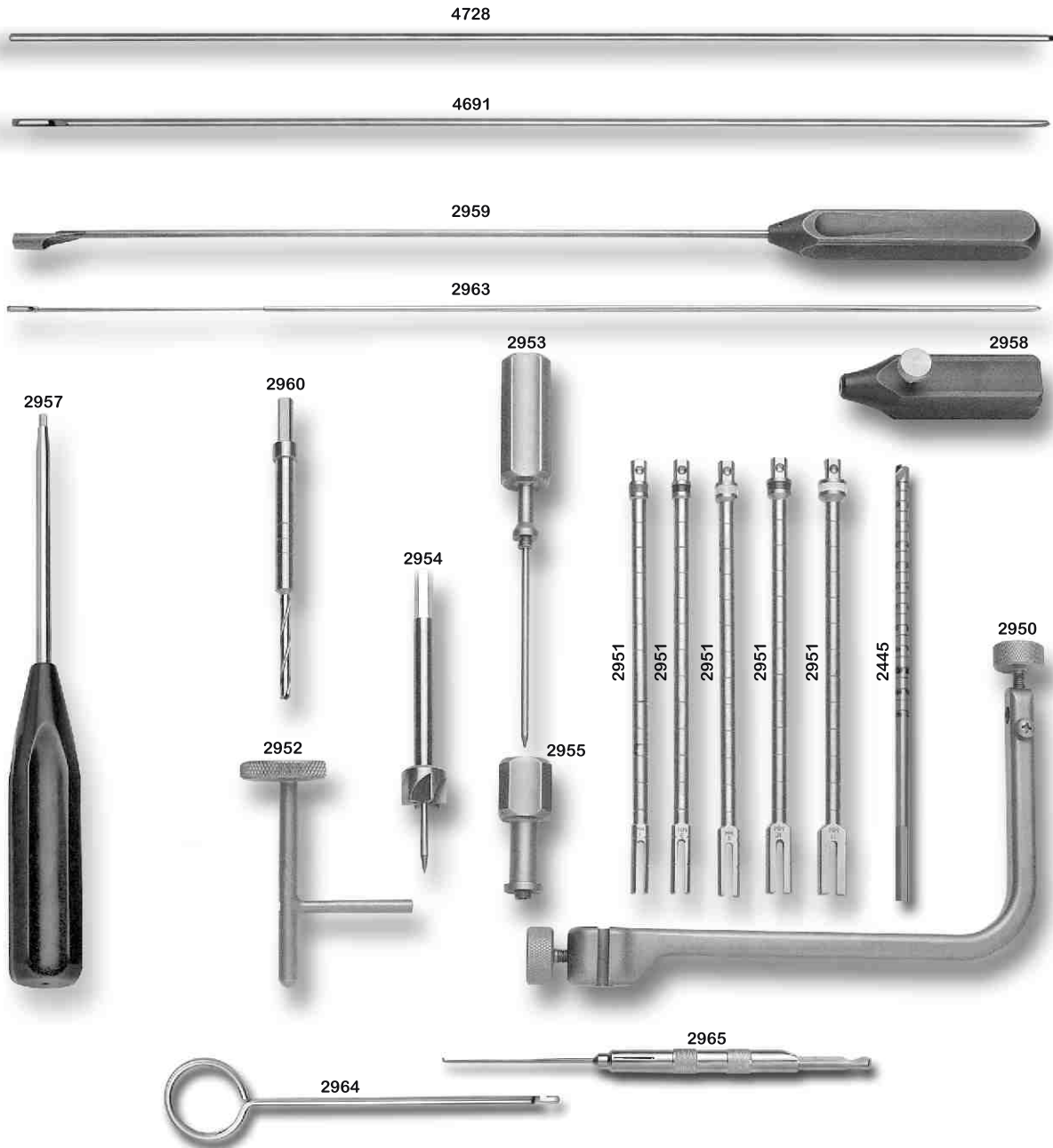
REF.	Ø mm
4862/06	6,35 x 40
/07	6,35 x 45
/08	6,35 x 50
/09	6,35 x 55
/10	6,35 x 60

PARAFUSO DE TITÂNIO
Titanium Screw

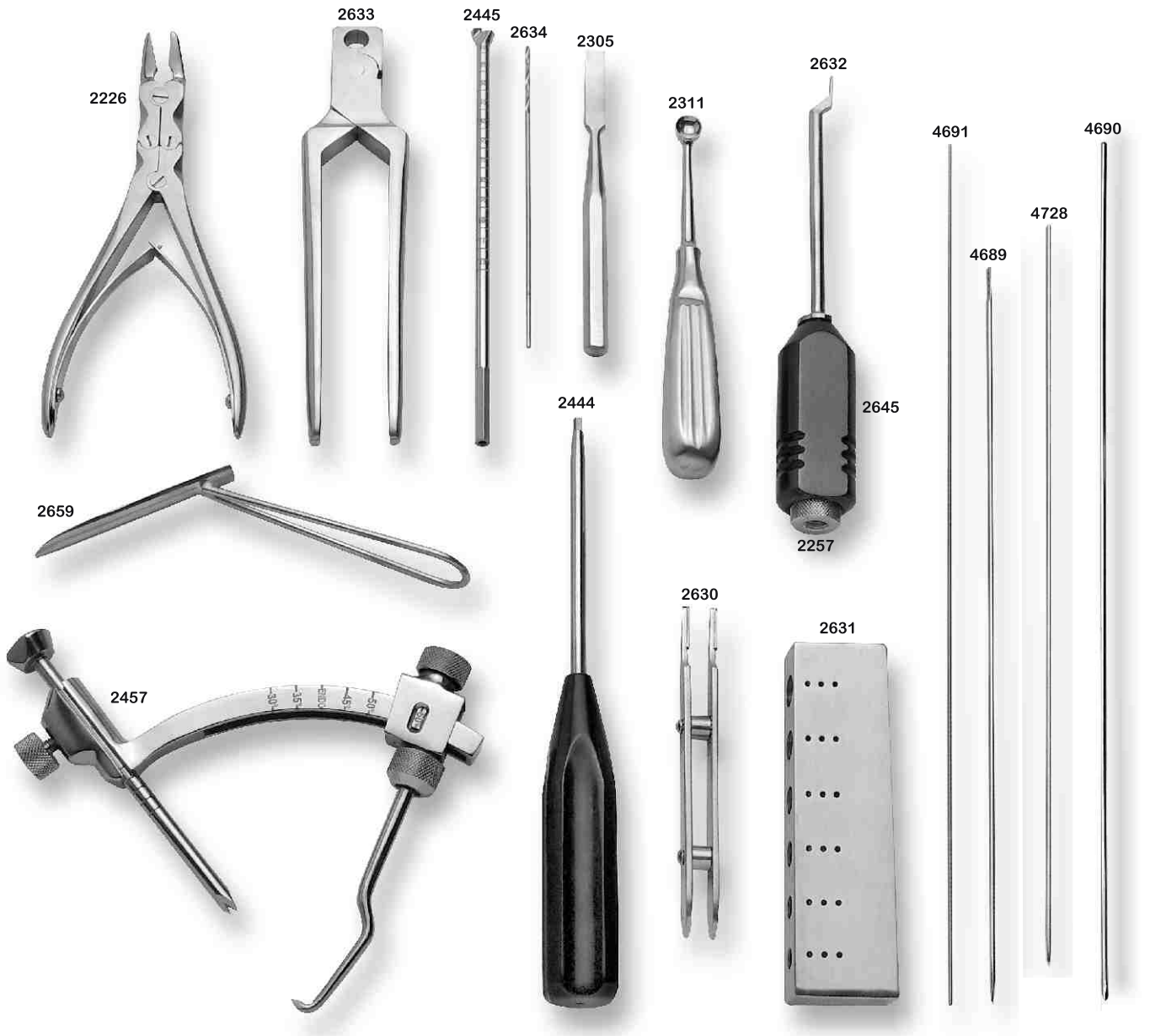
REF.	Ø mm
4861/01	6,5 x 40
/02	6,5 x 42
/03	6,5 x 44
/04	6,5 x 46
/05	6,5 x 48
/06	6,5 x 50
/07	6,5 x 52
/08	6,5 x 54
/09	6,5 x 56

INSTRUMENTAL SISTEMA TRANSLOCK

Translock Instruments System



4728/08	GUIA FIO Ø 1,8 X 300 mm Wire Guide	2952	GUIA DO PUNÇÃO PARA ARRUELA DENTADA Punch Guide for Dented Washer	2960	BROCA FEMORAL CANULADA Ø 4,0 mm Cannulated Femoral Drill
2950	GUIA EM "L" "L" Guide	2953	PERFURADOR PARA ARRUELA DENTADA Drill for Dented Washer	2445/01	FRESA CANULADA Ø 7,0 mm Cannulated Reamer
2951/01	GUIA INTRA FEMORAL Femoral Guide	2954	FRESA PARA ARRUELA DENTADA Reamer for Dented Washer	2963	GUIA PASSA FIO Wire Guide
2951/02	GUIA INTRA FEMORAL Femoral Guide	2955	IMPACTOR PARA ARRUELA DENTADA Impactor for Dented Washer	2964	EXTRATOR DE CABO Cable Extractor
2951/03	GUIA INTRA FEMORAL Femoral Guide	2957	CHAVE SEXTAVADA CANULADA Ø 3,5 mm Cannulated Wrench	2965	MEDIDOR Depth Gauge
2951/04	GUIA INTRA FEMORAL Femoral Guide	2958	CHAVE EXTRATOR DO FIO Wire Extractor Wrench	4691/05	GUIA FIO RASGADO Ø 2,4 X 300 mm Opened Wire Guide
2951/05	GUIA INTRA FEMORAL Femoral Guide	2959	EXTRATOR DE ENXERTO Graft Extractor		



2226	PINÇA DE RUSKIN Ruskin Tweezers
2257	PORÇA DO IMPACTOR Impactor Nut
2305/01	OSTEÓTOMO CURVO Ø 6,4 mm Curved Osteotome
2311/03	CURETA Nº 3 Curette
2444	CHAVE SEXTAVADA 3,5 mm Hex Head Screwdriver
2445/02	FRESA 8 mm Reamer
2445/03	FRESA 9 mm Reamer
2445/04	FRESA 10 mm Reamer
2445/05	FRESA 11 mm Reamer

2457	GUIA DE LIGAMENTO CRUZADO ANTERIOR Anterior Crossed Ligament Guide
2630	CHAVE BISTURI DUPLO Duble Bistoury Wrench
2631	MEDIDOR DE ENXERTO Graft Gauge
2632/01	GUIA AIMER 8 mm Aimer Guide
2632/02	GUIA AIMER 9 mm Aimer Guide
2632/03	GUIA AIMER 10 mm Aimer Guide
2632/04	GUIA AIMER 11 mm Aimer Guide
2633	MODELADOR DE ENXERTO Graft Shaper

2634	BROCA Ø 2 x 150 mm Drill
2645	CHAVE AIMER Aimer Wrench
2659	GUIA PROTETOR DE ENXERTO Graft Protector Guide
4728/10	GUIA FIO Ø 2,5 x 300 mm Wire Guide
4689/01	GUIA FIO Ø 1,8 x 300 mm - COM 4 FUROS Wire Guide With 4 Holes
4690	GUIA FIO Ø 2,0 x 360 mm Wire Guide
4691/01	GUIA FIO Ø 2,5 x 400 mm RASGADO Wire Guide

PARAFUSO CORTICAL CANULADO Ø 3,5 mm

Cannulated Cortical Screw



Inox
ISO 5832-1
ASTM F.138

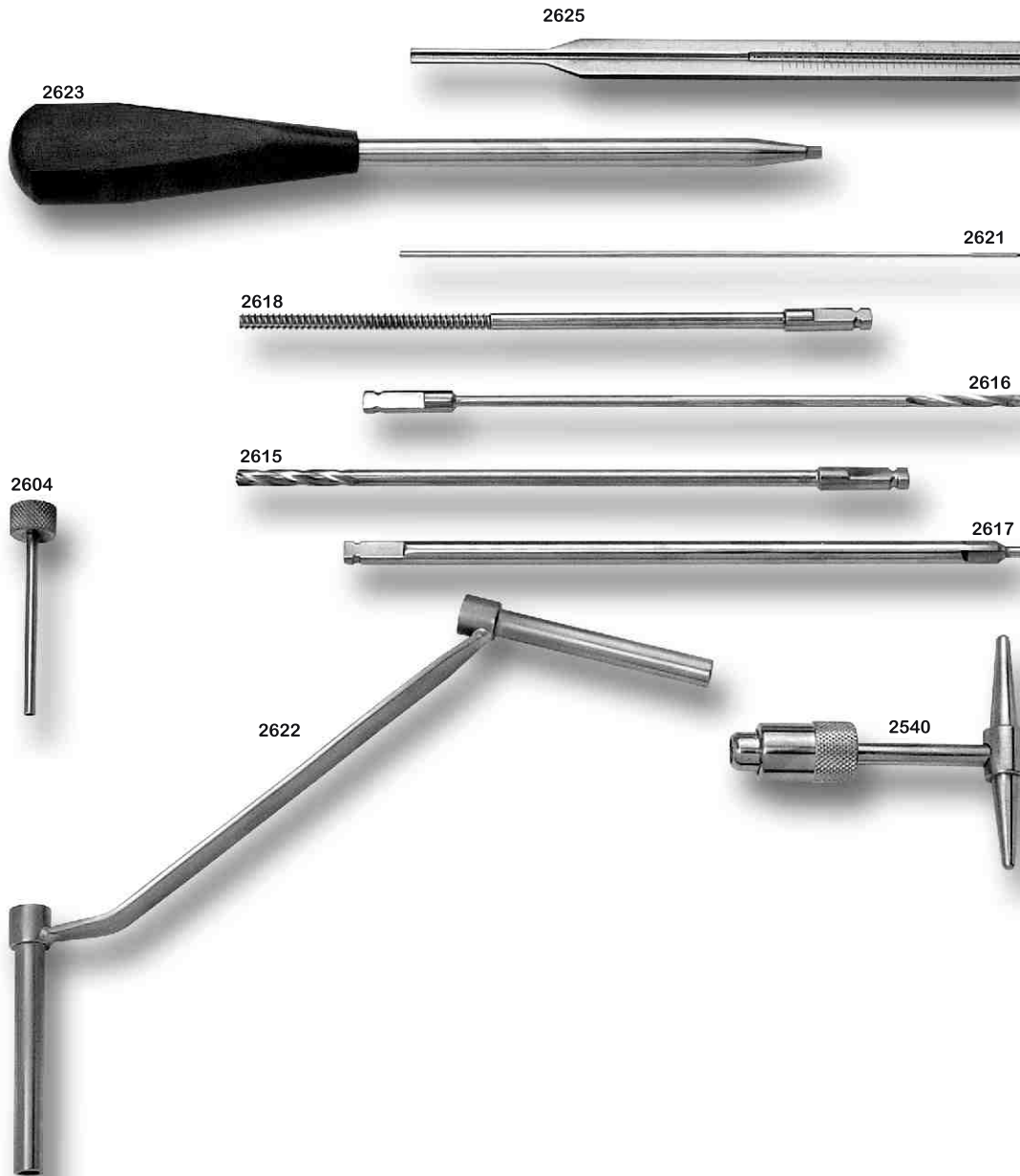
PARAFUSO CORTICAL CANULADO 3,5 mm
Cannulated Cortical Screw

REF.	COMPR. mm Length
3316/01	10
/02	12
/03	14
/04	16
/05	18
/06	20
/07	22
/08	24
/09	26
/10	28
/11	30
/12	32
/13	34
/14	36
/15	38
/16	40
/17	42
/18	44
/19	46
/20	48
/21	50

3340 ARRUELA 7 mm
Washer

PARAFUSO CORTICAL CANULADO 3,5 mm
Cannulated Cortical Screw

REF.	COMPR. mm Length	ROSCA Thread
3314/01	10	4
/02	12	4
/03	14	5
/04	16	5
/05	18	6
/06	20	7
/07	22	7
/08	24	8
/09	26	8
/10	28	9
/11	30	10
/12	32	11
/13	34	11
/14	36	12
/15	38	12
/16	40	13
/17	42	14
/18	44	14
/19	46	15
/20	48	15
/21	50	16



2540	CHAVE EM "T" "T" Wrench
2604	GUIA FIO Ø 1,2 mm Wire Guide
2615	FRESA CANULADA ENGATE RÁPIDO Ø 2,7 x 1,4 mm Cannulated Quick Drill Coupling
2616	FRESA CANULADA ENGATE RÁPIDO Ø 3,5 x 1,4 mm Cannulated Reamer Quick Coupling
2617	FRESA CANULADA ENGATE RÁPIDO Ø 3,5 mm Cannulated Reamer Quick Coupling

2618	FRESA CANULADA Ø 3,5 x 1,4 x 160 mm Cannulated Reamer
2621	GUIA FIO Ø 1,2 mm Wire Guide
2622	GUIA DE BROCA Ø 3,5 x 2,7 mm Drill Guide
2623	CHAVE SEXTAVADA Hex Head Screw Driver
2625	MEDIDOR Gauge

PARAFUSO CORTICAL CANULADO Ø 4,5 mm
Cannulated Cortical Screw



Inox
 ISO 5832-1
 ASTM F.138

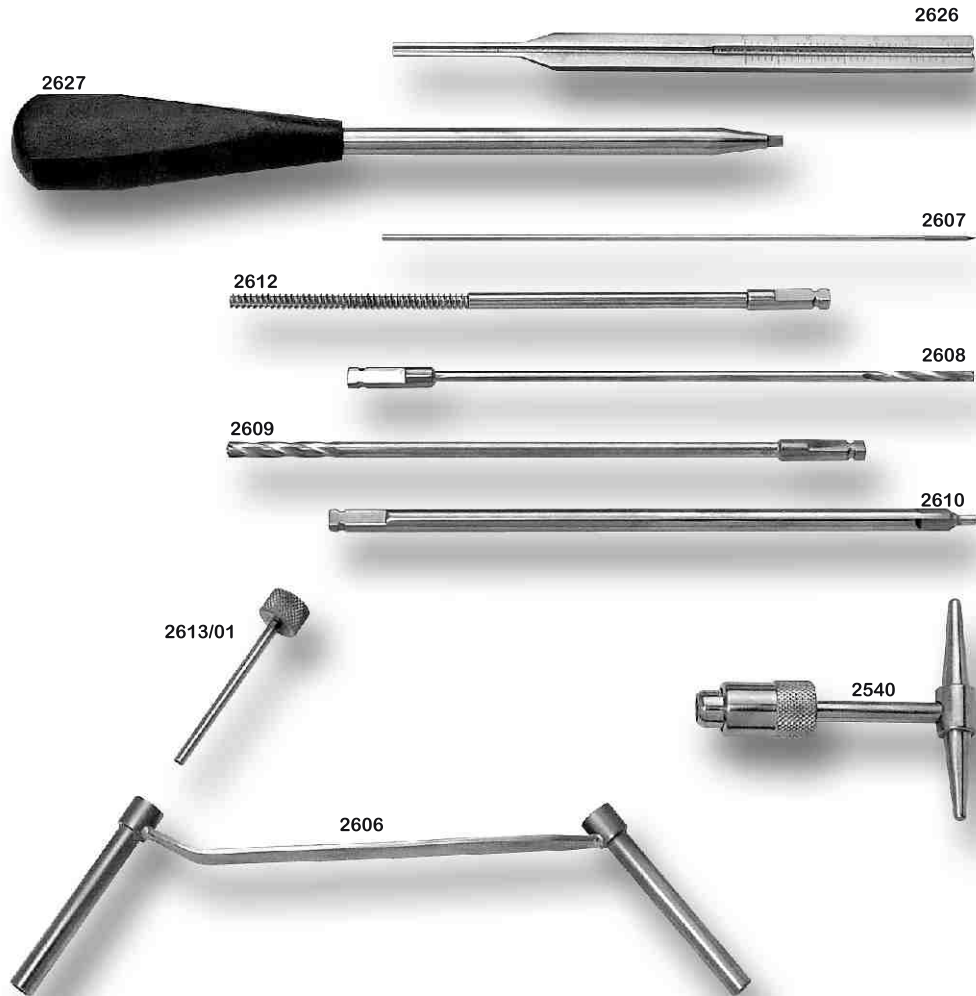
PARAFUSO CORTICAL CANULADO 4,5 mm
Cannulated Cortical Screw

REF.	COMPR mm <i>Length</i>	ROSCA <i>Thread</i>
3313/01	20	7
/02	22	7
/03	24	8
/04	26	9
/05	28	9
/06	30	10
/07	32	11
/08	34	11
/09	36	12
/10	38	13
/11	40	13
/12	42	14
/13	44	15
/14	46	15
/15	48	16
/16	50	16
/17	52	17
/18	54	18
/19	56	19
/20	60	20
/21	64	21
/22	68	23
/23	72	24

3341 ARRUELA 10 mm
 Washer

PARAFUSO CORTICAL CANULADO 4,5 mm
Cannulated Cortical Screw

REF.	COMPR. mm <i>Length</i>
3312/01	20
/02	22
/03	24
/04	26
/05	28
/06	30
/07	32
/08	34
/09	36
/10	38
/11	40
/12	42
/13	44
/14	46
/15	48
/16	50
/17	52
/18	54
/19	56
/20	60
/21	64
/22	68
/23	72



2540	CHAVE EM "T" "T" Wrench
2606	GUIA DE BROCA - Ø 4,5 / 3,2 mm Drill Guide
2607	GUIA FIO Ø 1,7 X 180 mm Wire Guide
2608	FRESA CANULADA ENGATE RÁPIDO Ø 3,2 x 1,8 x 185 mm Cannulated Reamer Quick Coupling
2609	FRESA CANULADA ENGATE RÁPIDO Ø 4,5 x 1,8 x 185 mm Cannulated Reamer Quick Coupling

2610	FRESA CANULADA ENGATE RÁPIDO Ø 4,5 x 1,8 x 160 mm Cannulated Reamer Quick Coupling
2612	FRESA CANULADA Ø 4,5 x 1,8 x 185 mm Cannulated Reamer
2613/01	GUIA DE BROCA Ø 7,0 x 3,2 mm Drill Guide
2626	MEDIDOR Depth Gauge
2627	CHAVE SEXTAVADA Hex Head Screw Driver

PARAFUSO ESPONJOSO CANULADO Ø 7,0 mm
Cannulated Cancellous Screw



3320



3321



3322

Inox
 ISO 5832-1
 ASTM F.138

PARAFUSO ESPONJOSO CANULADO 7,0mm
Cannulated Cancellous Screw

REF.	COMPR. mm <i>Length</i>	COMPR. ROSCA mm <i>Leght Screw</i>
3320/01	30	16
/02	35	16
/03	40	16
/04	45	16
/05	50	16
/06	55	16
/07	60	16
/08	65	16
/09	70	16
/10	75	16
/11	80	16
/12	85	16
/13	90	16
/14	95	16
/15	100	16
/16	105	16
/17	110	16
/18	115	16
/19	120	16

ARRUELAS
Washer

REF.	Ø mm
3322/01	12
/02	16
/03	19

PARAFUSO ESPONJOSO CANULADO 7,0mm
Cannulated Cancellous Screw

REF.	COMPR mm <i>Length</i>	COMPR. ROSCA <i>Leght Screw</i>
3321/01	40	32
/02	45	32
/03	50	32
/04	55	32
/05	60	32
/06	65	32
/07	70	32
/08	75	32
/09	80	32
/10	85	32
/11	90	32
/12	95	32
/13	100	32
/14	105	32
/15	110	32
/16	115	32
/17	120	32



3311 GUIA FIO Ø 1,8 x 200 mm
Wire Guide

3415 CHAVE HEXAGONAL
Hex Head Screw Driver

3416 FRESA Ø 7,0 mm
Reamer

3417 GUIA MÚLTIPLO
Multiple Guide

3418 FRESA CANULADA
Cannulated Reamer

3419 FRESA INICIAL CANULADA
Cannulated Initial Reamer

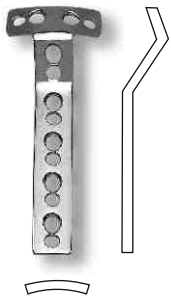
3420 MEDIDOR
Gauge

3421 GUIA DO FIO
Wire Guide

3422 GUIA DO MACHO
Tap Guide

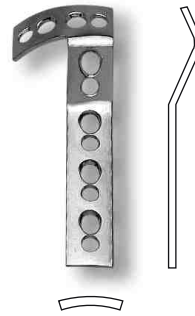
PLACAS ALCP DE GRANDES FRAGMENTOS

Large Fragments ALCP Plate



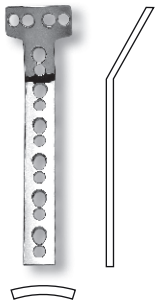
PLACA EM "T" BLOQUEADA
"T" Plate Locking

REF.	FUROS Holes	COMP. Lenght
6371/01	4x3	75
/02	4x4	94
/03	4x5	113
/04	4x6	132
/05	4x7	151
/06	4x8	170
/07	4x9	180
/08	4x10	208
/09	4x12	246



PLACA EM "L" BLOQUEADA
"L" Plate Locking

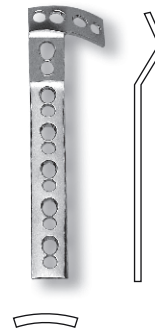
REF.	FUROS Holes	COMP. Lenght
6373/01	4x3	74
/02	4x4	93
/03	4x5	112
/04	4x6	131
/05	4x7	150
/06	4x8	169
/07	4x9	188
/08	4x10	207
/09	4x12	245



PLACA EM "T" BLOQUEADA
Straight "T" Plate Locking

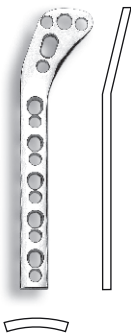
REF.	FUROS Holes	COMP. Lenght
6374/01	4x3	74
/02	4x4	93
/03	4x5	112
/04	4x6	131
/05	4x7	150
/06	4x8	169
/07	4x10	207
/08	4x12	245

Inox
ISO 5832-1
ASTM F.139



PLACA EM "L" BLOQUEADA
"L" Plate Locking

REF.	FUROS Holes	COMP. Lenght
6372/01	4x3	74
/02	4x4	93
/03	4x5	112
/04	4x6	131
/05	4x7	150
/06	4x8	169
/07	4x9	188
/08	4x10	207
/09	4x12	245



PLACA DE SUSTENTAÇÃO TIBIAL
BLOQUEADA DIREITA
Right Tibial Support Plate Locking

REF.	FUROS Holes	COMP. Lenght
6375/01	4	121
/02	5	140
/03	6	159
/04	7	178
/05	8	197
/06	9	216
/07	11	254
/08	13	292
/09	15	330



PLACA DE SUSTENTAÇÃO TIBIAL
BLOQUEADA ESQUERDA
Right Tibial Support Plate Locking

REF.	FUROS Holes	COMP. Lenght
6376/01	4	121
/02	5	140
/03	6	159
/04	7	178
/05	8	197
/06	9	216
/07	11	254
/08	13	292
/09	15	330



PLACA LARGA BLOQUEADA
Broad Plate Locking

REF.	FUROS Holes	COMP. Lenght
6377/01	6	116
/02	7	135
/03	8	154
/04	9	173
/05	10	192
/06	12	230
/07	14	268
/08	16	306
/09	18	344
/10	20	382



PLACA ESTREITA BLOQUEADA
Narrow Plate Locking

REF.	FUROS Holes	COMP. Lenght
6378/01	4	78
/02	5	97
/03	6	116
/04	7	135
/05	8	154
/06	9	173
/07	10	192
/08	11	211
/09	12	230
/10	14	268
/11	16	306



PLACA DE RECONSTRUÇÃO
PÉLVICA BLOQUEADA
Plate of Pelvic Reconstruction Locking

REF.	FUROS Holes	COMP. Lenght
6380/01	4	78
/02	5	97
/03	6	116
/04	7	135
/05	8	154
/06	9	173
/07	10	192
/08	11	211
/09	12	230
/10	13	248
/11	14	268
/12	15	287
/13	16	306

PARAFUSO CORTICAL AUTO-ROSQUEANTE DE BLOQUEIO Ø 5,0 mm
Cortical Screw Self Tapped



REF.	COMPR.	REF.	COMPR.
6315	14	6329	42
6316	16	6330	44
6317	18	6331	46
6318	20	6332	48
6319	22	6333	50
6320	24	6334	55
6321	26	6335	60
6322	28	6336	65
6323	30	6337	70
6324	32	6338	75
6325	34	6339	80
6326	36	6340	85
6327	38	6341	90
6328	40		

PARAFUSO CORTICAL AUTO-ROSQUEANTE Ø 4,5 mm
Cortical Screw Self Tapped



Inox
ISO 5832-1
ASTM F.138

REF.	COMPR.	REF.	COMPR.
6342	14	6356	42
6343	16	6357	44
6344	18	6358	46
6345	20	6359	48
6346	22	6360	50
6347	24	6361	52
6348	26	6362	54
6349	28	6363	56
6350	30	6364	58
6351	32	6365	60
6352	34	6366	62
6353	36	6367	64
6354	38	6368	66
6355	40	6369	68
		6370	70



2075 CHAVE HEXAGONAL
Hex Head Screw Driver

1840 MODELADOR RETORCEDOR DE PLACA
Plate Countersink

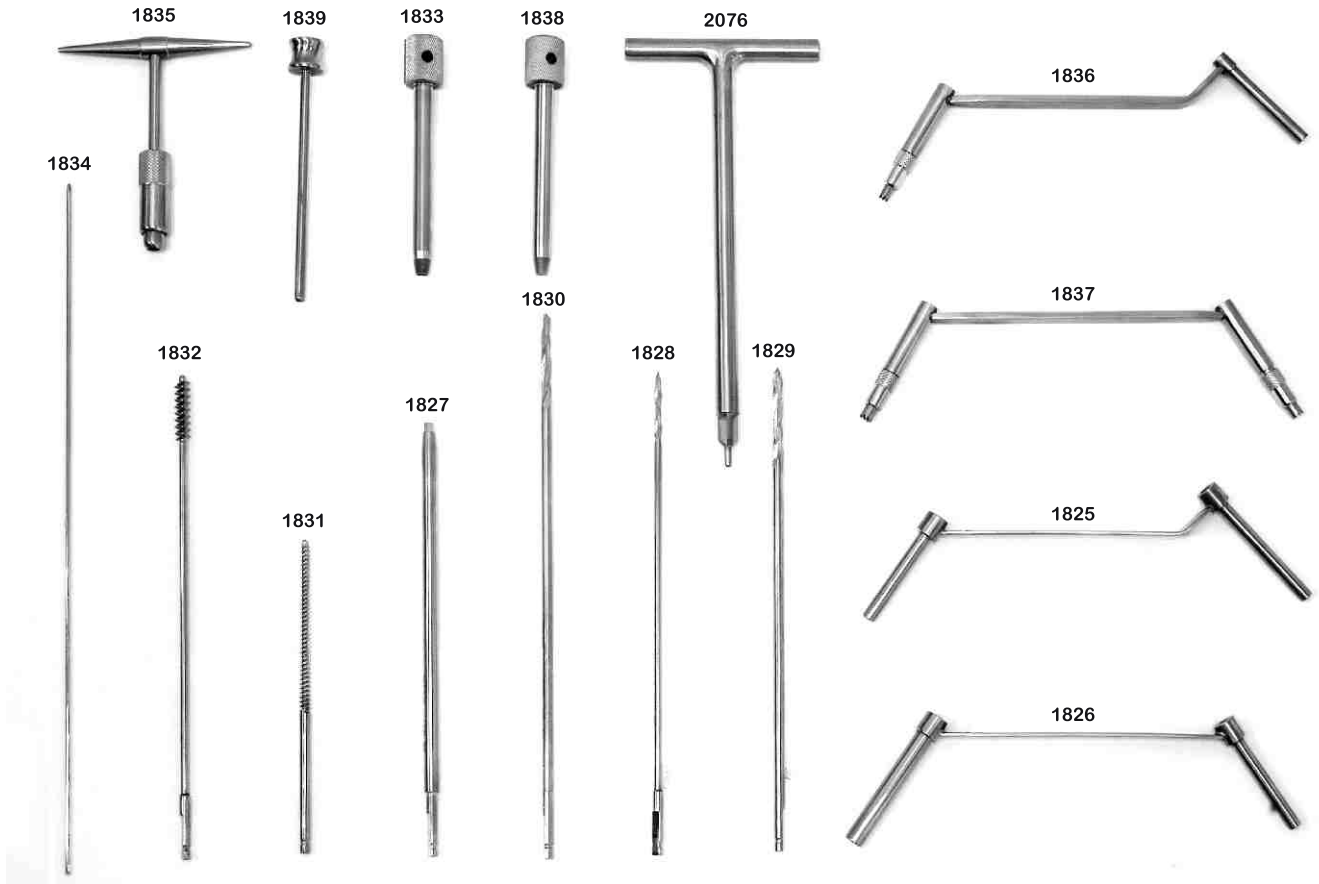
2101 PINÇA AUTO CENTRANTE
Self Centering Forceps

2062 MEDIDOR DE PROFUNDIDADE
Depth Gauge

2076 FRESA
Reamer

2066 MODELADOR (PAR)
Bending (pair)

2372 PINÇA DE FIXAÇÃO ÓSSEA
Bone Holding Forceps



1825	GUIA DE BROCA Ø3,5 E Ø4,5mm Drill Guide	1834	GUIA FIO Ø 2,0 X 280 mm Were Guide
1826	MACHO Ø6,5 E BROCA Ø3,2mm Tap and Drill	1835	CHAVE EM T "T" Wrench
1827	CHAVE SEXTAVADA COM ENGATE RÁPIDO Wrench	1836	GUIA DE BROCA Ø3,2mm Drill Guide
1828	BROCA Ø3,2mm COM ENGATE RÁPIDO Drill	1837	GUIA DE BROCA Ø4,5mm Drill Guide
1829	BROCA Ø4,5mm COM ENGATE RÁPIDO Drill	1838	GUIA DE BROCA Ø4,3mm Drill Guide
1830	BROCA Ø4,3mm COM ENGATE RÁPIDO Drill	1839	GUIA DO FIO Ø2,0mm Guide
1831	FRESA MACHO CORTICAL Ø 4,5 mm Top Reamer	2076	FRESA Reamer
1832	FRESA MACHO ESPONJOSO Ø 6,5 mm Top Reamer		
1833	GUIA PARAFUSO DE EXTRAÇÃO Screw Guide		

PLACA RETA DE AUTO COMPRESSÃO

Self Compression Straight Plates



Inox
ISO 5832-1
ASTM F.138

- Para uso com Parafuso Cortical de 4,5 mm e Parafuso Esponjoso de 6,5 mm.
- For use with 4,5 mm Cortical Screw and 6,5 mm Cancellous Screw

PLACA ESTREITA Straight Plate

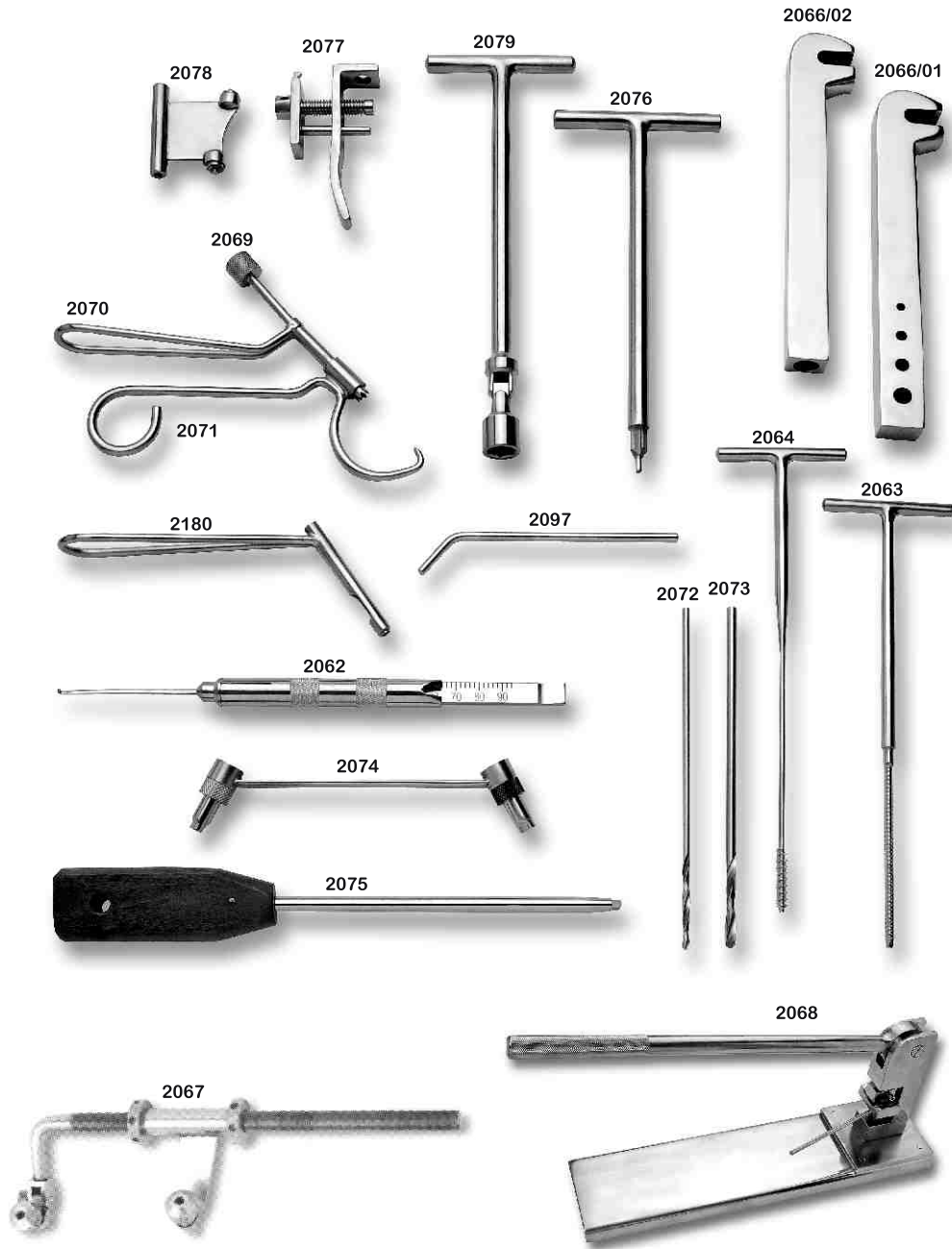
REF.	FUROS Holes	COMPR. mm Length
4003/01	03	54
/02	04	70
/03	05	86
/04	06	102
/05	07	118
/06	08	133
/07	09	149
/08	10	165
/09	12	197
/10	14	229
/11	16	260

PLACA LARGA Broad Plate

REF.	FUROS Holes	COMPR. mm Length
4106/01	06	102
/02	07	118
/03	08	133
/04	09	149
/05	10	165
/06	12	197
/07	14	229
/08	16	260

PLACA SEMI TUBULAR 1/2 TUBO Semi Tubular 1/2 Tube Plate

REF.	FUROS Holes	COMPR. mm Length
4202/01	02	39
/02	03	55
/03	04	71
/04	05	87
/05	06	103
/06	07	119
/07	08	135
/08	09	151
/09	10	167
/10	11	183
/11	12	199



2072 BROCA DE AÇO INOX Ø 3,2 mm
Stainless Steel Drill

2073 BROCA DE AÇO INOX Ø 4,5 mm
Stainless Steel Drill

2074 GUIA DE BROCA Ø 3,2 mm
Drill Guide

2075 CHAVE HEXAGONAL
Hex Head Screw Driver

2076 FRESA
Reamer

2077 PINÇA COMPRESSORA
Tension Device

2078 GUIA DE PERFURAÇÃO PARA CLAMP COMPRESSOR
Drill Guide For Compression Clamp

2079 CHAVE PARA COMPRESSOR
Socket Wrench

2097 CHAVE COMPRESSORA
Compression Wrench

2180 GUIA DE BROCA LONGO
Long Drill Guide

2062 MEDIDOR PARA PARAFUSO
Gauge For Screw

2063 FRESA MACHO Ø 4,5 mm
Tap Reamer

2064 FRESA MACHO Ø 6,5 mm
Tap Reamer

2066 MODELADOR (PAR)
Bending (pair)

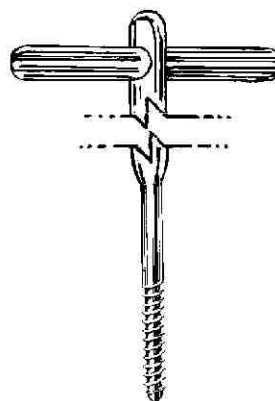
2067 AFASTADOR E COMPRESSOR GRANDE
Large Compressor and Distractor

2068 MODELADOR DE PLACAS
Plates Modeler

2069 GUIA DE BROCA Ø 3,2 mm
Drill Guide

2070 GUIA DE BROCA Ø 4,5 mm
Drill Guide

2071 GUIA DE PERFURAÇÃO
Perforation Guide



PARAFUSO
Screw

FRESA
Drill

FRESA
Tap

CHAVE
Wrench

CORTICAL Cortical

A Ø EXTERNO 4,5 mm <i>External 4,5 mm</i>	Ø 3,2 mm	REF. 2063	REF. 2075
B Ø INTERNO 3,0 mm <i>Internal 3,0 mm</i>	REF. 2072		

MALEOLAR Maleolar

A Ø EXTERNO 4,5 mm <i>External 4,5 mm</i>	Ø 3,2 mm	REF. 2063	REF. 2075
B Ø INTERNO 3,0 mm <i>Internal 3,0 mm</i>	REF. 2072		

ESPONJOSO Cancellous

A Ø EXTERNO 6,5 mm <i>External 6,5 mm</i>	Ø 3,2 mm	REF. 2064	REF. 2075
B Ø INTERNO 3,0 mm <i>Internal 3,0 mm</i>	REF. 2072		

ESPONJOSO Cancellous

A Ø EXTERNO 4,0 mm <i>External 4,0 mm</i>	Ø 2,0 mm	REF. 2095/02	REF. 2108/02
B Ø INTERNO 1,9 mm <i>Internal 1,9 mm</i>	REF. 2084/02		

ESPONJOSO Cancellous

A Ø EXTERNO 3,5 mm <i>External 3,5 mm</i>	Ø 2,0 mm	REF. 2095/01	REF. 2108/02
B Ø INTERNO 1,9 mm <i>Internal 1,9 mm</i>	REF. 2084/02		

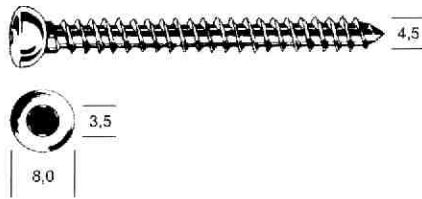
CORTICAL Cortical

A Ø EXTERNO 3,5 mm <i>External 3,5 mm</i>	Ø 2,5 mm	REF. 2094/03	REF. 2108/02
B Ø INTERNO 2,4 mm <i>Internal 2,4 mm</i>	REF. 2084/03		

CORTICAL Cortical

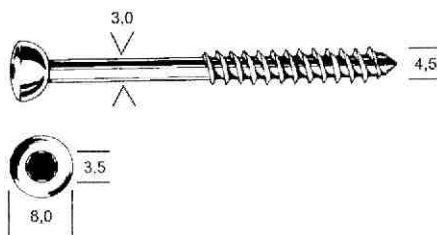
A Ø EXTERNO 2,7 mm <i>External 2,7 mm</i>	Ø 2,0 mm	REF. 2094/02	REF. 2108/02
B Ø INTERNO 1,9 mm <i>Internal 1,9 mm</i>	REF. 2084/02		

PARAFUSO CORTICAL Ø 4,5 mm
Cortical Screw



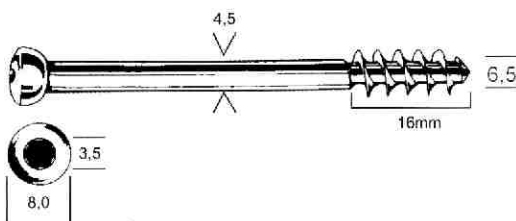
REF.	COMPR. mm Length	REF.	COMPR. mm Length	REF.	COMPR. mm Length
3014	14	3034	34	3054	54
3016	16	3036	36	3056	56
3018	18	3038	38	3058	58
3020	20	3040	40	3060	60
3022	22	3042	42	3062	62
3024	24	3044	44	3064	64
3026	26	3046	46	3066	66
3028	28	3048	48	3068	68
3030	30	3050	50	3070	70
3032	32	3052	52		

PARAFUSO MALEOLAR Ø 4,5 mm
Malleolar Screw



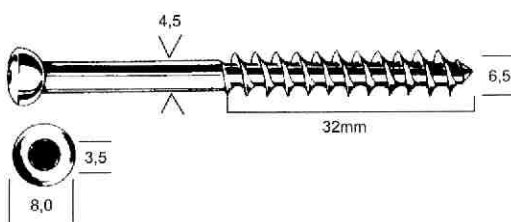
REF.	COMPR. mm Length	REF.	COMPR. mm Length
3125	25	3150	50
3130	30	3155	55
3135	35	3160	60
3140	40	3165	65
3145	45	3170	70

PARAFUSO ESPONJOSO Ø 6,5 (R 16 mm)
Cancellous Screw



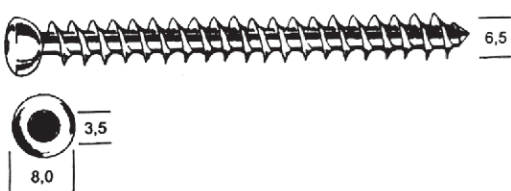
REF.	COMPR. mm Length	REF.	COMPR. mm Length
3225	25	3275	75
3230	30	3280	80
3235	35	3285	85
3240	40	3290	90
3245	45	3295	95
3250	50	3300	100
3255	55	3305	105
3260	60	3310	110
3265	65		
3270	70		

PARAFUSO ESPONJOSO Ø 6,5 (R 32 mm)
Cancellous Screw



REF.	COMPR. mm Length	REF.	COMPR. mm Length
3430	30	3475	75
3435	35	3480	80
3440	40	3485	85
3445	45	3490	90
3450	50	3495	95
3455	55	3500	100
3460	60	3505	105
3465	65	3510	110
3470	70		

PARAFUSO ESPONJOSO Ø 6,5 (ROSCA TOTAL)
Cancellous Screw



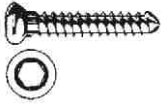
Inox
ISO 5832-1
ASTM F.138

REF.	COMPR. mm Length	REF.	COMPR. mm Length
3296/01	30	3296/07	60
/02	35	/08	65
/03	40	/09	70
/04	45	/10	75
/05	50	/11	80
/06	55		

PARAFUSO Screw

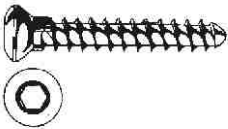


PARAFUSO CORTICAL Ø 2,7 mm
Cortical Screw



REF.	COMPR. mm Length	REF.	COMPR. mm Length
3096	6	3101	16
3097	8	3102	18
3098	10	3103	20
3099	12	3104	22
3100	14	3105	24

PARAFUSO CORTICAL Ø 3,5 mm
Cortical Screw



REF.	COMPR. mm Length	REF.	COMPR. mm Length
3078	10	3086	26
3079	12	3087	28
3080	14	3088	30
3081	16	3089	32
3082	18	3090	34
3083	20	3091	36
3084	22	3092	38
3085	24	3093/01	40

PARAFUSO ESPONJOSO Ø 3,5 mm
Cancellous Screw



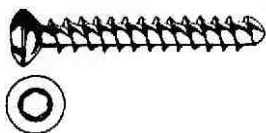
REF.	COMPR. mm Length	REF.	COMPR. mm Length	REF.	COMPR. mm Length
3200	10	3207	24	3214	38
3201	12	3208	26	3215	40
3202	14	3209	28	3216	42
3203	16	3210	30	3217	44
3204	18	3211	32	3218	46
3205	20	3212	34	3219	48
3206	22	3213	36	3220	50

PARAFUSO ESPONJOSO Ø 4 mm
Cancellous Screw



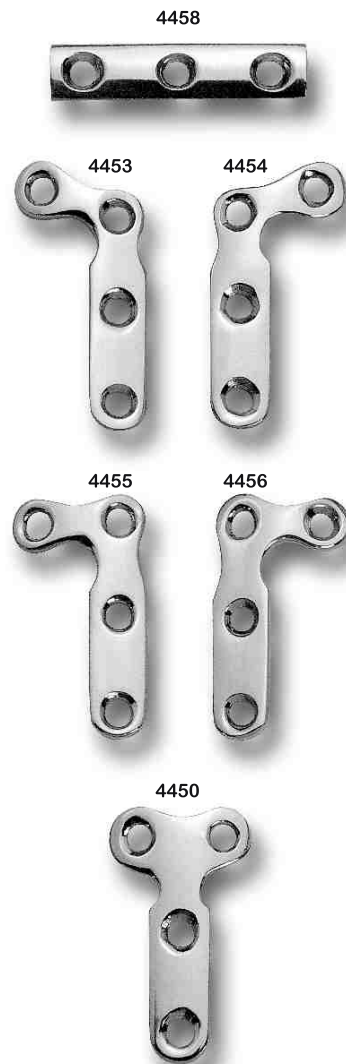
REF.	COMPR. mm Length	REF.	COMPR. mm Length	REF.	COMPR. mm Length
3180	10	3185	20	3190	30
3181	12	3186	22	3191	35
3182	14	3187	24	3192	40
3183	16	3188	26	3193	45
3184	18	3189	28	3194	50

PARAFUSO ESPONJOSO Ø 4 mm (ROSCA TOTAL)
Cancellous Screw



Inox
ISO 5832-1
ASTM F.138

REF.	COMPR. mm Length	REF.	COMPR. mm Length
3342	10	3348	22
3343	12	3349	24
3344	14	3350	26
3345	16	3351	28
3346	18	3352	30
3347	20	3353	40



Inox
ISO 5832-1
ASTM F.139

- PARA USO COM PARAFUSO CORTICAL DE 2,7 mm.
- For use with 2,7 mm Cortical Screw.

PLACA "L"
"L" Plate

4453	E - ESQUERDA Left
4454	D - DIREITA Right
4455	E - ESQUERDA Left
4456	D - DIREITA Right

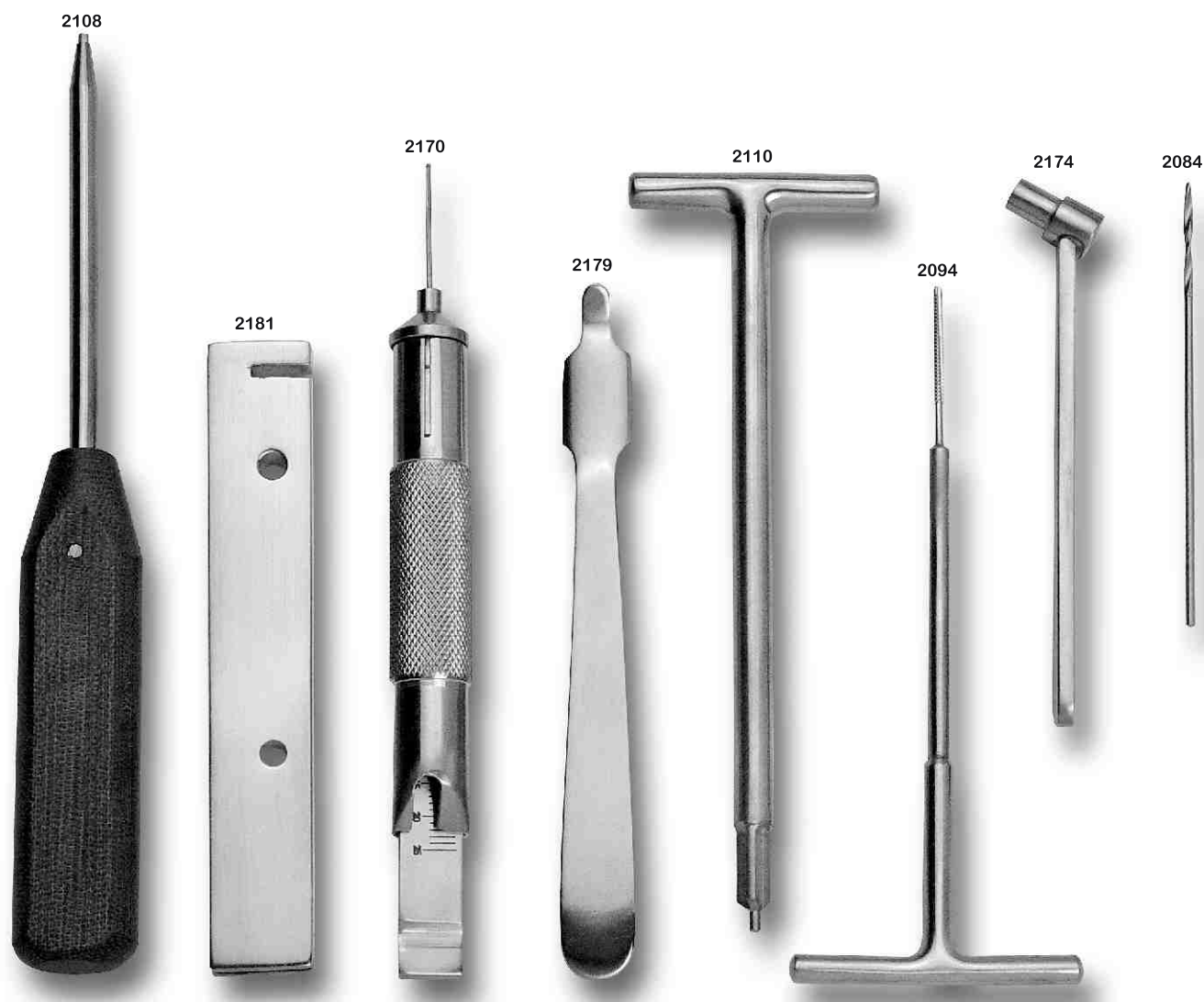
4450 PLACA "T"
"T" Plate

PLACA 1/4 TUBO
1/4 Tube Plate

REF.	FUROS	COMPR. mm
	Holes	Length
4458/01	3	25
/02	4	33
/03	5	41
/04	6	49
/05	7	57
/06	8	65

INSTRUMENTAL MINI FRAGMENTOS

Mini Fragments Instruments



2084	<i>BROCA DE Ø 2,0 mm Drill</i>
2094	<i>FRESA MACHO Ø 2,7 mm Tap For Screw</i>
2108	<i>CHAVE SEXTAVADA Hex Head Screwdriver</i>
2110	<i>FRESA Reamer</i>
2170	<i>MEDIDOR Gauge</i>
2174	<i>GUIA DE BROCA Drill Guide</i>
2179	<i>AFASTADOR Retractor</i>
2181	<i>MODELADOR Bender</i>

6571
6572
6573



6574
6575



6577



6576



6580



Inox
ISO 5832-1
ASTM F.139

6570



4207



6578



Inox
ISO 5832-1
ASTM F.138

PLACA DCP PEQ. FRAG.
Small Fragments DCP Plate

REF.	FUROS Holes
6570/01	4
/02	5
/03	6
/04	7
/05	8
/06	9
/07	10
/08	11
/09	12
/10	14

PLACA EM "T"
"T" Plate

REF.	FUROS Holes
6574	4 x 4
6575	4 x 6

PLACA EM "T" OBLIQUA
Oblique "T" Plate

REF.	FUROS Holes
6576/01	3 x 3
/02	3 x 4
/03	3 x 5
/04	3 x 7

PLACA 1/3 TUBULAR
Tubular 1/3 Plate

REF.	FUROS Holes
4207/01	2
/02	3
/03	4
/04	5
/05	6
/06	7
/07	8
/08	9
/09	10
/10	11
/11	12

PLACA EM "T"
"T" Plate

REF.	FUROS Holes
6571	3 x 3
6572	3 x 5
6573	3 x 7

PLACA ANGULADA SPIN
Spin Angled Plate

REF.	FUROS Holes	COMP./mm Length
6580/01	3	94
/02	5	124
/03	6	139
/04	8	169
/05	9	184
/06	10	199
/07	12	229

PLACA EM "T" OBLIQUA
Oblique "T" Plate

REF.	FUROS Holes
6577/01	3 x 3
/02	3 x 4
/03	3 x 5
/04	3 x 7

PLACA DE RECONSTRUÇÃO
Reconstruction Plate

REF.	FUROS Holes
6578/01	4
/02	5
/03	6
/04	7
/05	8
/06	10
/07	12

PARAFUSOS ALCP PEQUENOS FRAGMENTOS

Small Fragments ALCP Screw



PARAFUSO CORTICAL AUTO ROSQUEANTE Ø 2,7 mm
Self Tapped Cortical Screw



REF.	COMPR.	REF.	COMPR.
4209/01	10	4209/11	30
/02	12	/12	32
/03	14	/13	34
/04	16	/14	36
/05	18	/15	38
/06	20	/16	40
/07	22	/17	45
/08	24	/18	50
/09	26	/19	55
/10	28		

PARAFUSO CORTICAL AUTO ROSQUEANTE Ø 3,5 mm
Self Tapped Cortical Screw



REF.	COMPR.	REF.	COMPR.
4210/01	10	4210/12	32
/02	12	/13	34
/03	14	/14	36
/04	16	/15	38
/05	18	/16	40
/06	20	/17	45
/07	22	/18	50
/08	24	/19	55
/09	26	/20	60
/10	28		
/11	30		

PARAFUSO CORTICAL ROSCA PARCIAL Ø 3,5 mm
Partial Thread Cortical Screw



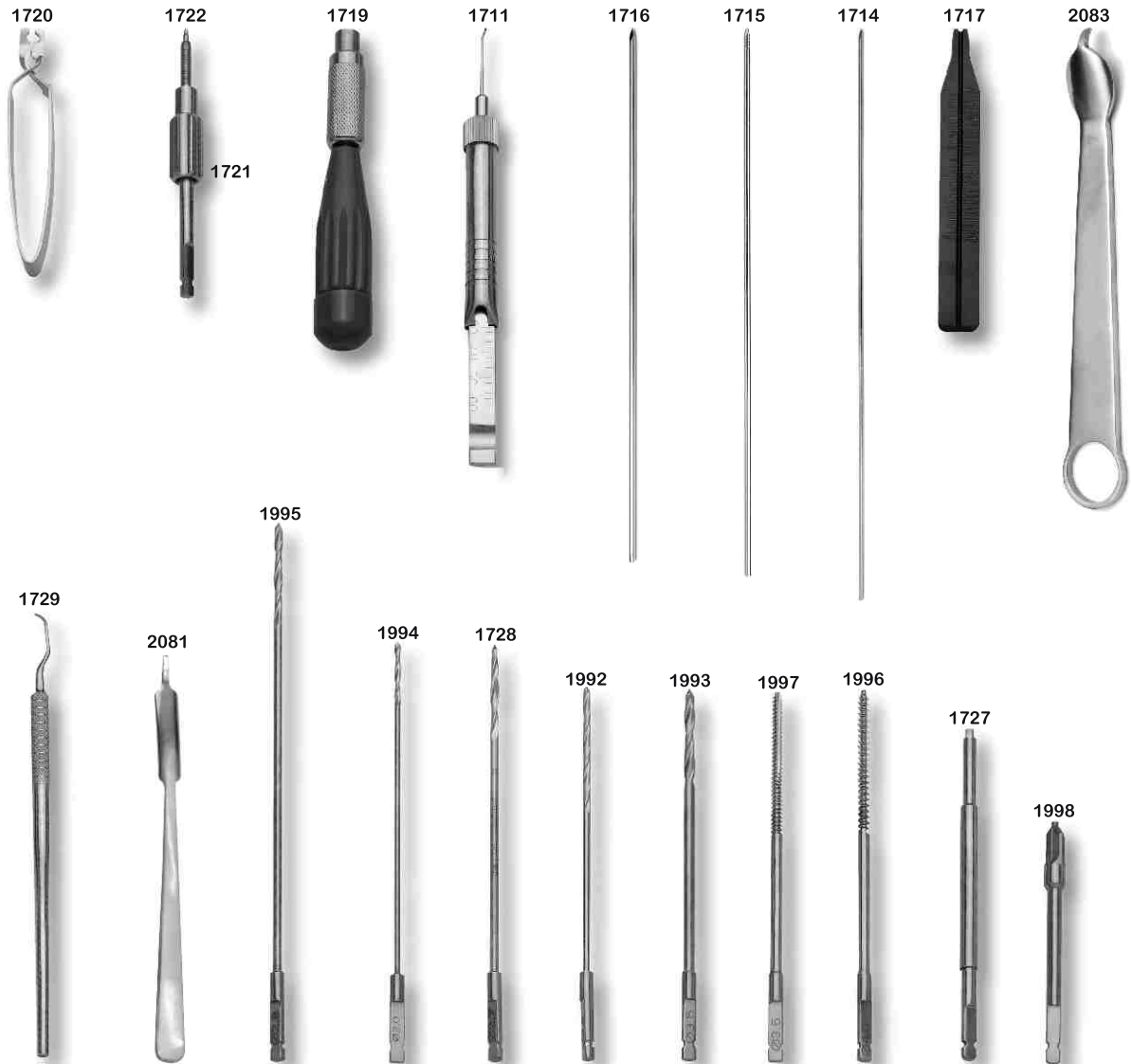
REF.	COMPR.
4211/01	16
/02	18
/03	20
/04	22
/05	24
/06	26
/07	28
/08	30
/09	32
/10	34
/11	36
/12	38

PARAFUSO CORTICAL AUTO ROSQUEANTE DE BLOQUEIO Ø 3,5 mm
Cortical Screw Self Tapped With Blocking



REF.	COMPR.	REF.	COMPR.
4991	10	5005	32
4992	12	5006	34
4993	14	5007	36
4994	16	5008	38
4995	18	5009	40
4996	20	5010	42
4997	22	5011	45
4998	24	5012	50
4999	26	5213	55
5000	28	5014	60
5004	30		

Inox
ISO 5832-1
ASTM F.138

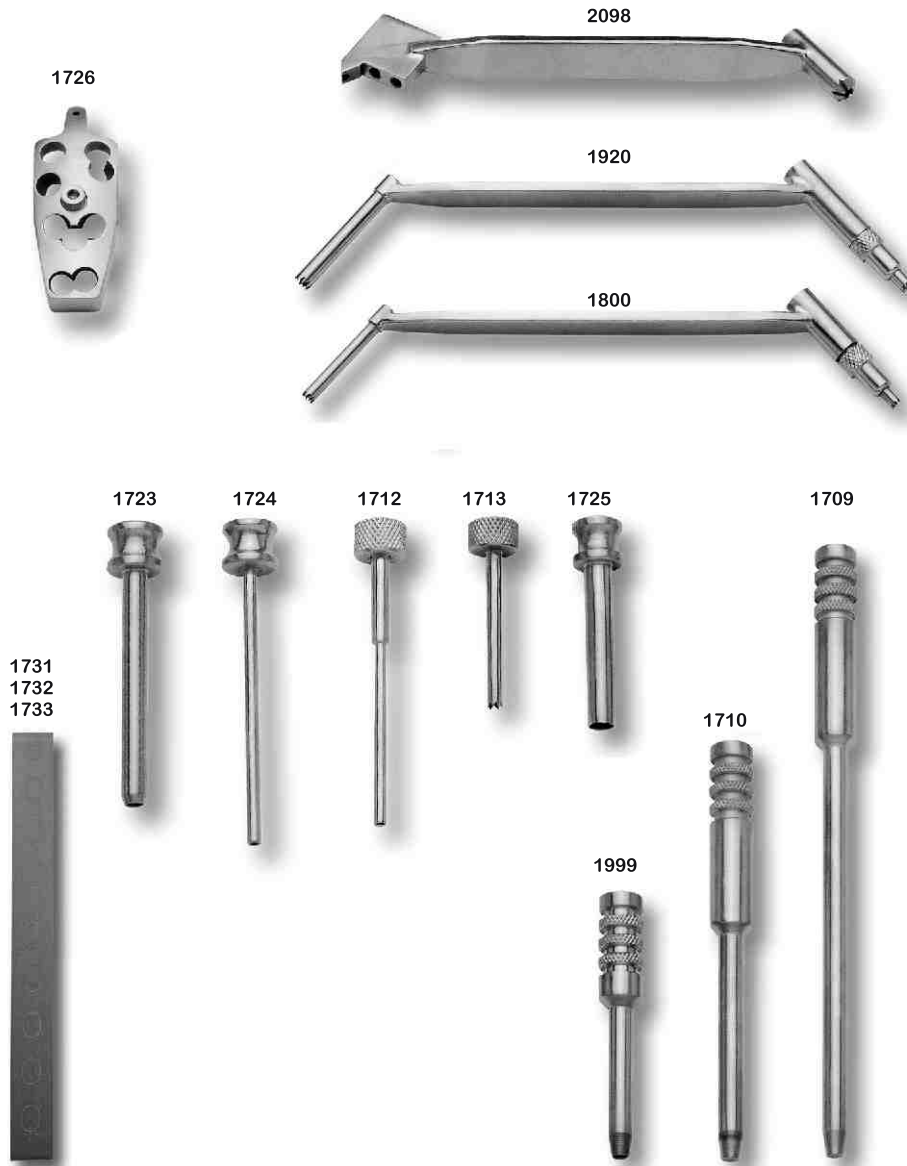


1711	MEDIDOR DE PROFUNDIDADE Gauge
1714	FIO LISO Ø 2,0X150 mm Wire Smooth
1715	FIO COM PONTA ROSQUEADA Ø 1,5 mm x 150mm Wire Threaded End
1716	FIO Ø 1,25X150 mm Wire
1717	MEDIDOR Gauge
1719	CABO COM ENGATE RÁPIDO Fast Connection Handle
1720	PINÇA PARA PARAFUSO Screw Forceps
1721	GUIA STOP PARA BROCA Guide
1722	BROCA Drill
1727	CHAVE SEXTAVADA COM ENGATE RÁPIDO Hexagonal Wrench
1728	BROCA COM ENGATE RÁPIDO Ø 2,7 mm Drill

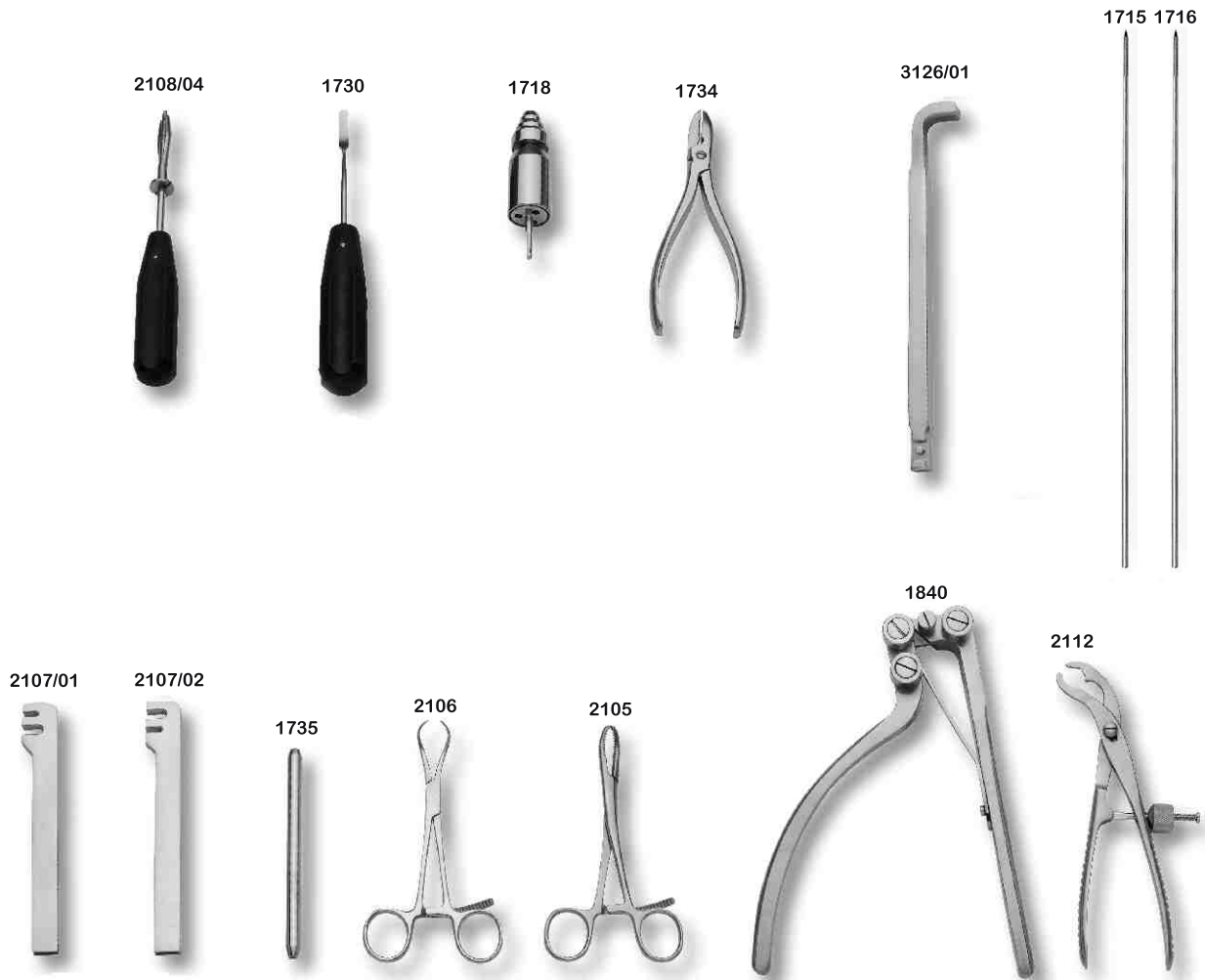
1729	AFASTADOR GANCHO Retractor
1992	BROCA Ø 2,5 x 85 mm Drill
1993	BROCA Ø 3,5 x 85 mm Drill
1994	BROCA Ø 2,0 x 100 mm Drill
1995	BROCA Ø 2,8 x 140 mm Drill
1996	MACHO Ø 3,5 mm Tap
1997	MACHO Ø 4,0 mm Tap
1998	ESCARIADOR Reamer
2081/01	AFASTADOR HOHMANN PONTA Ø 6,0 mm Hohmann Retractor
2083	AFASTADOR HOLMANN PONTA LARGA Holmann Retractor Large End

INSTRUMENTAL ALCP PEQUENOS FRAGMENTOS

Small Fragments ALCP Instruments



1709	GUIA POSICIONADOR GRANDE Positioner Guide Large	1731	MEDIDOR DE PLACA PEQUENO Plate Gauge Small
1710	GUIA POSICIONADOR PEQUENO Positioner Guide Small	1732	MEDIDOR DE PLACA MÉDIO Plate Gauge Medium
1712	GUIA DE FIO Ø 1,5 mm Guide	1733	MEDIDOR DE PLACA GRANDE Plate Gauge Large
1713	GUIA DE FIO Ø 2,5 mm Guide	1800	GUIA DE BROCA Ø 2,0 / 2,5 mm Drill Guide
1723	GUIA DE FIO Ø 1,5 mm Guide	1920	GUIA DE BROCA Ø 2,5 / 3,5 mm Drill Guide
1724	GUIA DE BROCA Ø 2,8 mm Drill Guide	1999	GUIA DE BROCA Ø 2,8 mm Drill Guide
1725	GUIA PROTETOR Protector Guide	2098	GUIA DE BROCA COM VISOR Ø 2,0 mm Drill Guide
1726	GUIA DE FURAÇÃO PARA PLACA ANGULADA SPIN Spin Angular Plate Drilling Guide		



1715	FIO Ø 1,5X150mm Wire
1716	FIO Ø 1,25x150mm Wire
1718	MEDIDOR TORQUIMETRO Gauge
1730	AFASTADOR DESCOLADOR Retractor
1734	CORTADOR MODELADOR DO FIO Cutter
1735	ALINHADOR DE BROCA Cutter Drill Aligner
1840	MODELADOR RETORCEDOR DE PLACA Plate Countersink

2105	PINÇA DE REDUÇÃO Ø 140 mm Reduction Forceps
2106	PINÇA DE REDUÇÃO COM PONTAS Ø 16 mm Reduction Forceps With Point
2112	PINÇA AUTO CENTRANTE Ø 160 mm Self Aligning Forceps
2107/01	MODELADOR DE PLACA Bending Iron
2107/02	MODELADOR DE PLACA Bending Iron
2108/04	CHAVE SEXTAVADA COM PINÇA Hex Head Screw Drive
3126/01	MODELADOR RETORCEDOR Bender

PLACAS PEQUENOS FRAGMENTOS

Plates Small Fragments

Inox
ISO 5832-1
ASTM F.138



4430



4446



4442



Inox
ISO 5832-1
ASTM F.139

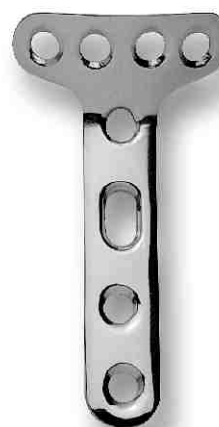
4443



4439



4438



• PARA USO COM PARAFUSO CORTICAL E ESPONJOSO DE 3,5 mm E PARAFUSO ESPONJOSO DE 4,0 mm

• For use With 3,5 mm Cortical and Cancellous Screw and 4,0 mm Cancellous Screw

PLACA "T" "T" Plate

REF.	FUROS Holes	COMPR. Length.
4438	4 + 4	56
4439	4 + 6	78
4442	3 + 3	50
4443	3 + 5	67

PLACA MÚLTIPLOS FRAGMENTOS Multiple Fragments Plate

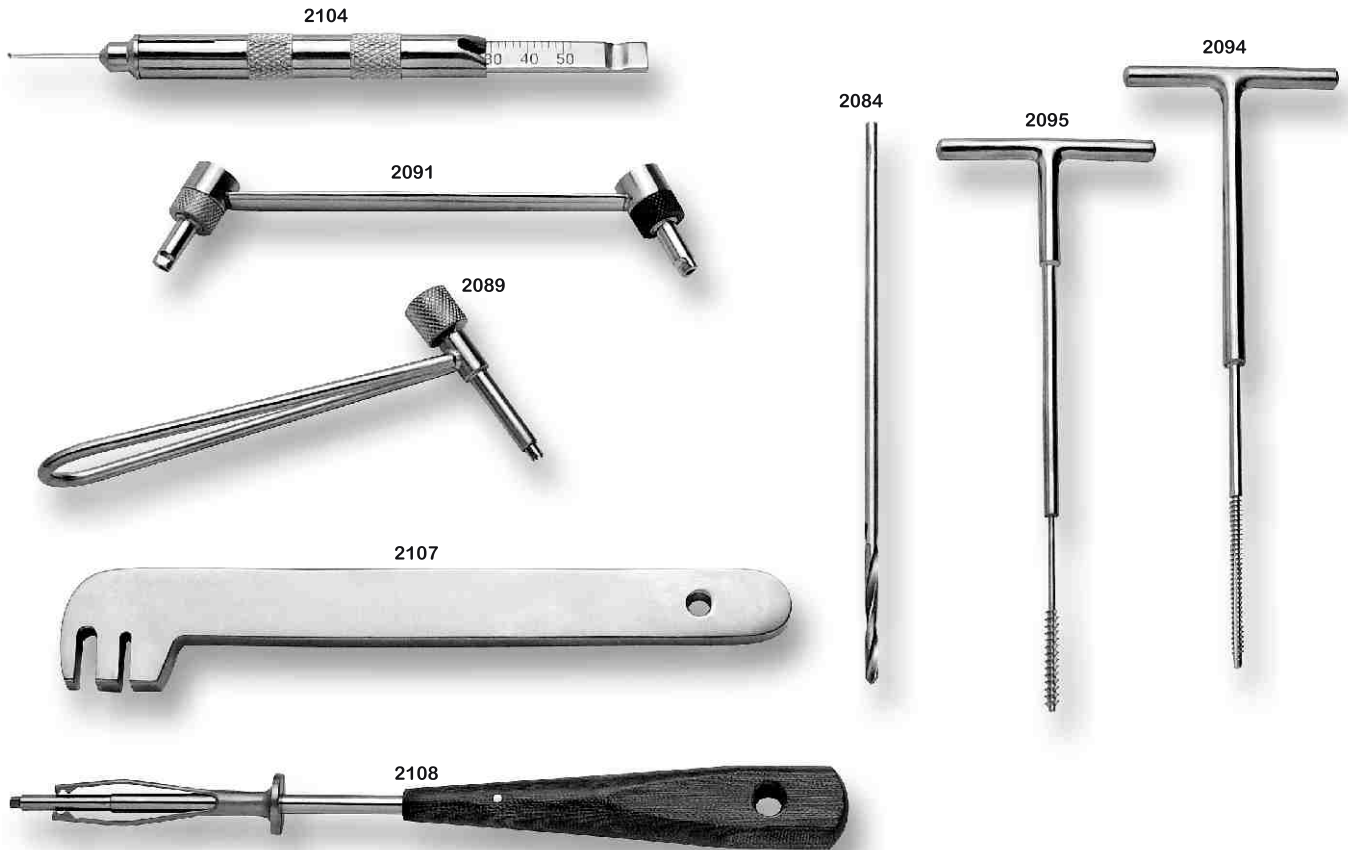
REF.	FUROS Holes	COMPR. Length.
4446	7	45

PLACA AUTO - COMPRESSÃO Self - Compression Plate

REF.	FUROS Holes	COMPR. Length.
4420/01	2	25
/02	3	37
/03	4	49
/04	5	55
/05	6	73
/06	7	85
/07	8	79
/08	10	109
/09	12	121

PLACA 1/3 TUBO 1/3 Tube Plate

REF.	FUROS Holes	COMPR. Length.
4430/01	2	25
/02	3	37
/03	4	49
/04	5	61
/05	6	73
/06	7	85
/07	8	97



FRESA MACHO PARA PARAFUSO
Tap Reamer For Screw

REF.	Ø mm	
2094/01	2,0	CORTICAL
/02	2,7	CORTICAL
/03	3,5	CORTICAL
2095/01	3,5	ESPONJOSO
/02	4,0	ESPONJOSO

BROCA DE AÇO INOX HASTE LONGA
Stainless Steel Long Stem Drill

REF.	Ø mm
2084/01	1,5
/02	2,0
/03	2,5
/04	3,5

GUIA DE BROCA
Drill Guide

REF.	Ø mm
2089/01	2,5
/02	3,5

2091 GUIA DE BROCA NEUTRO EXCÊNTRICO
Excentric Drill Guide Neutral

2104 MEDIDOR CORTICAL
Gauge

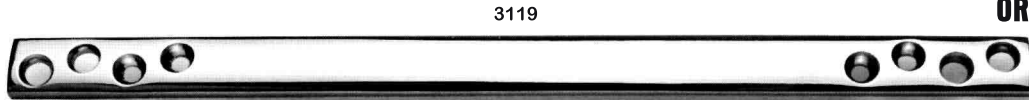
2107 MODELADOR
Bending Iron (pair)

2108/05 PINÇA DA CHAVE SEXTAVADA
Hexagonal Head Screw Driver Tweezer

2108/02 CHAVE SEXTAVADA Ø 2,5 mm
Hex Head Screwdriver

PLACAS ESPECIAIS

Special Plate



3119



3118



3120



3121



4274



4317

• PARA USO COM PARAFUSO CORTICAL DE 4,5 mm e PARAFUSO ESPONJOSO DE 6,5 mm

• For use With 4,5 mm Cortical Screw and 6,5 mm Cancellous Screw



3122



3128

• PARA USO COM PARAFUSO CORTICAL E ESPONJOSO DE 3,5 mm E PARAFUSO ESPONJOSO DE 4,0 mm.

• For use With 3,5 mm Cortical and Cancellous Screw and 4,0 mm Cancellous Screw.

Inox

ISO 5832-1
ASTM F.138

Inox

ISO 5832-1
ASTM F.139

PLACA LARGA PARA ALONGAMENTO - 10 FUROS
Broad Plate For Alongation - 10 Holes

REF.	COMPR. mm Length	ALONGAMENTO mm Alongation
3118/01	179	50
/02	189	60
/03	199	70
/04	209	80
/05	219	90
/06	229	100
/07	239	110
/08	249	120

PLACA LARGA PARA ALONGAMENTO - 8 FUROS
Broad Plate For Alongation - 8 Holes

REF.	COMPR. mm Length	ALONGAMENTO mm Alongation
3119/01	135	30
/02	145	40
/03	155	50
/04	165	60

PLACA ESTREITA PARA ALONGAMENTO - 8 FUROS
Narrow Plate For Alongation - 8 Holes

REF.	COMPR. mm Length	ALONGAMENTO mm Alongation
3120/01	135	30
/02	145	40
/03	155	50
/04	165	60
/05	175	70
/06	185	80

PLACA DE RECONSTRUÇÃO PÉLVICA
Plate For Pelvic Reconstruction

REF.	COMPR. mm Length	FUROS Holes
3121/01		3
/02		4
/03		5
/04		6
/05		7
/06		8
/07		9
/08		10
/09		11
/10		12
/11		13
/12		14
/13		15
/14		16
/15		17
/16		18
/17		19
/18		20

PLACA DE RECONSTRUÇÃO PÉLVICA
Plate For Pelvic Reconstruction

REF.	COMPR. mm Length	FUROS Holes
3122/01	45	3
/02	61	4
/03	77	5
/04	93	6
/05	109	7
/06	125	8
/07	141	9
/08	157	10
/09	173	11
/10	189	12
/11	205	13
/12	221	14
/13	237	15
/14	253	16

PLACA DE RECONSTRUÇÃO PÉLVICA curva Ø 3,5
Plate For Pelvic Reconstruction

REF.	COMPR. mm Length	FUROS Holes
3128/01		5
/02		6
/03		7
/04		8
/05		9
/06		14
/07		10
/08		12

PLACA SHERMANN
Shermann Plate

REF.	COMPR. mm Length	FUROS Holes
4274/03	65,5	4
/04	80,0	5
/05	97,5	6
/06	115,0	7
/07	132,5	8
/08	150,0	9
/09	167,5	10
/11	202,5	12
/13	237,5	14
/15	272,5	16

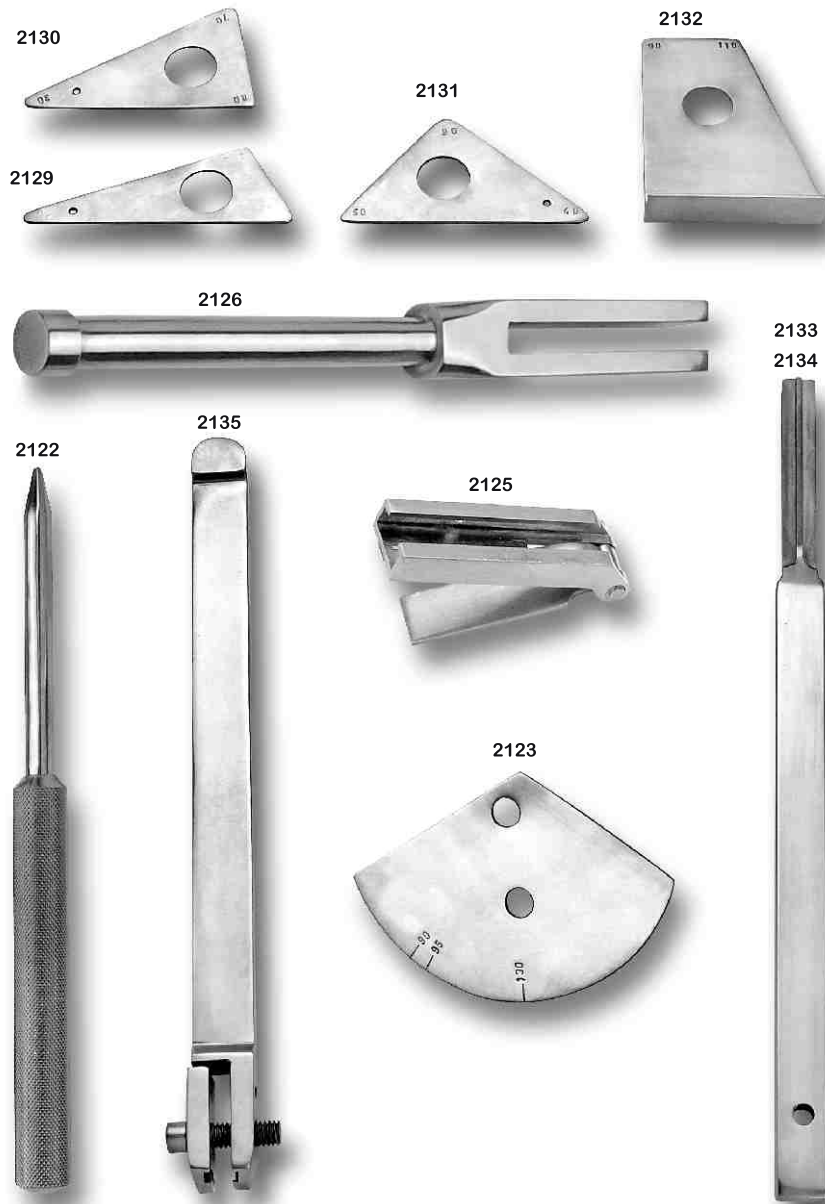
3126/02

3126/01



PLACA MALEÁVEL
Maleable Plate

REF.	FUROS Holes
4317/01	2
/02	3
/03	4
/04	5
/05	6
/06	7
/07	8
/08	9
/09	10
/10	11
/11	12

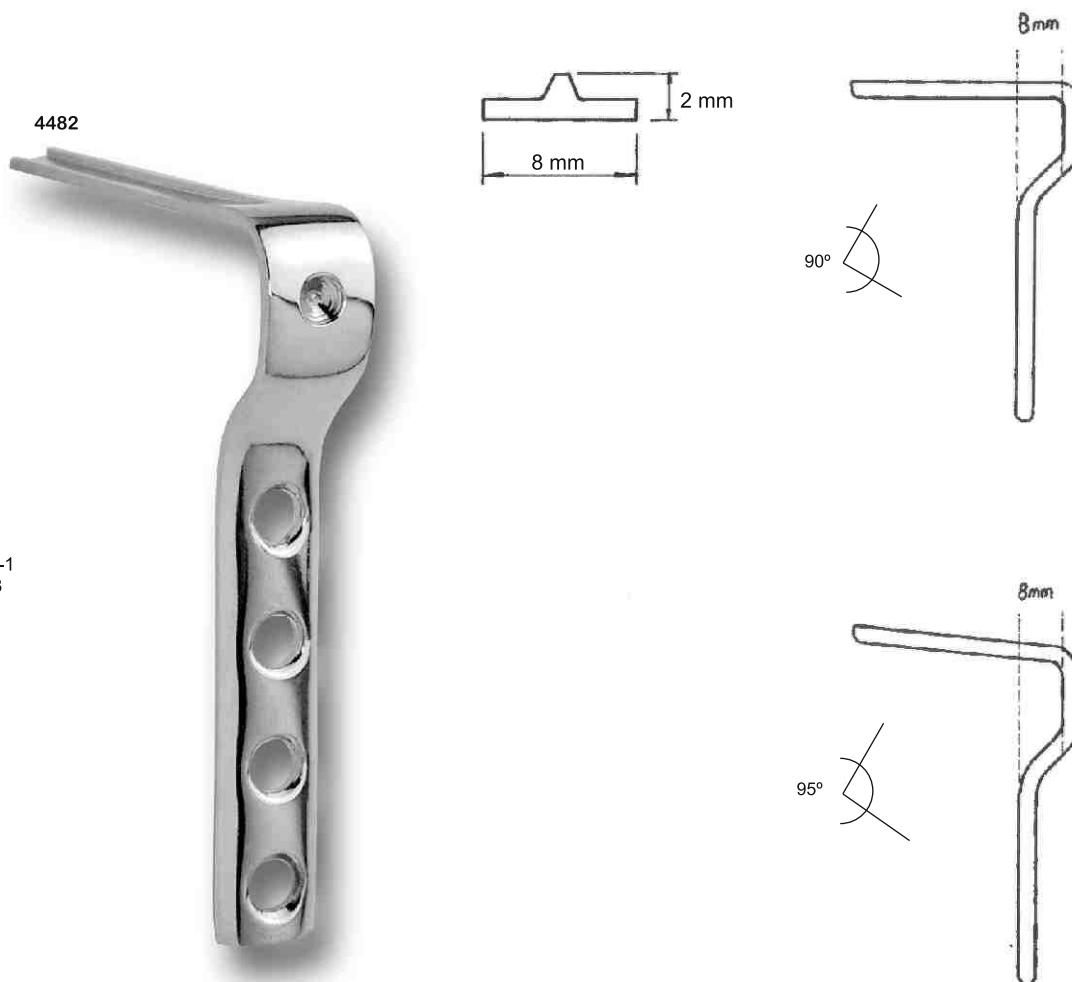


2122	IMPACTOR FINAL Final Impactor
2123	GUIA GONIOMETRO Goniometer Guide
2125	GUIA DO CINZEL Chisel Guide
2126	EXTRATOR DO IMPACTOR Extractor
2129	GUIA Guide 20° - 60° - 100°
2130	GUIA Guide 30° - 70° - 80°

2131	GUIA Positioning Guide 40° - 50° - 90°
2132	GUIA Positioning Guide 70° - 90° - 110°
2133	OSTEÓTOMO PEQUENO PARA CRIANÇA Small Chisel For Children
2134	OSTEÓTOMO MÉDIO PARA ADOLESCENTE Medium Chisel For Adolescent
2135/01	IMPACTOR EXTRATOR PARA PLACAS - CRIANÇA Impactor Extractor For Plates - Children
2135/02	IMPACTOR EXTRATOR PARA PLACAS - ADOLESCENTE Impactor Extractor For Plates - Adolescent

PLACA ANGULADA PARA OSTEOTOMIA EM CRIANÇAS

Children Osteotomy Angled Plate



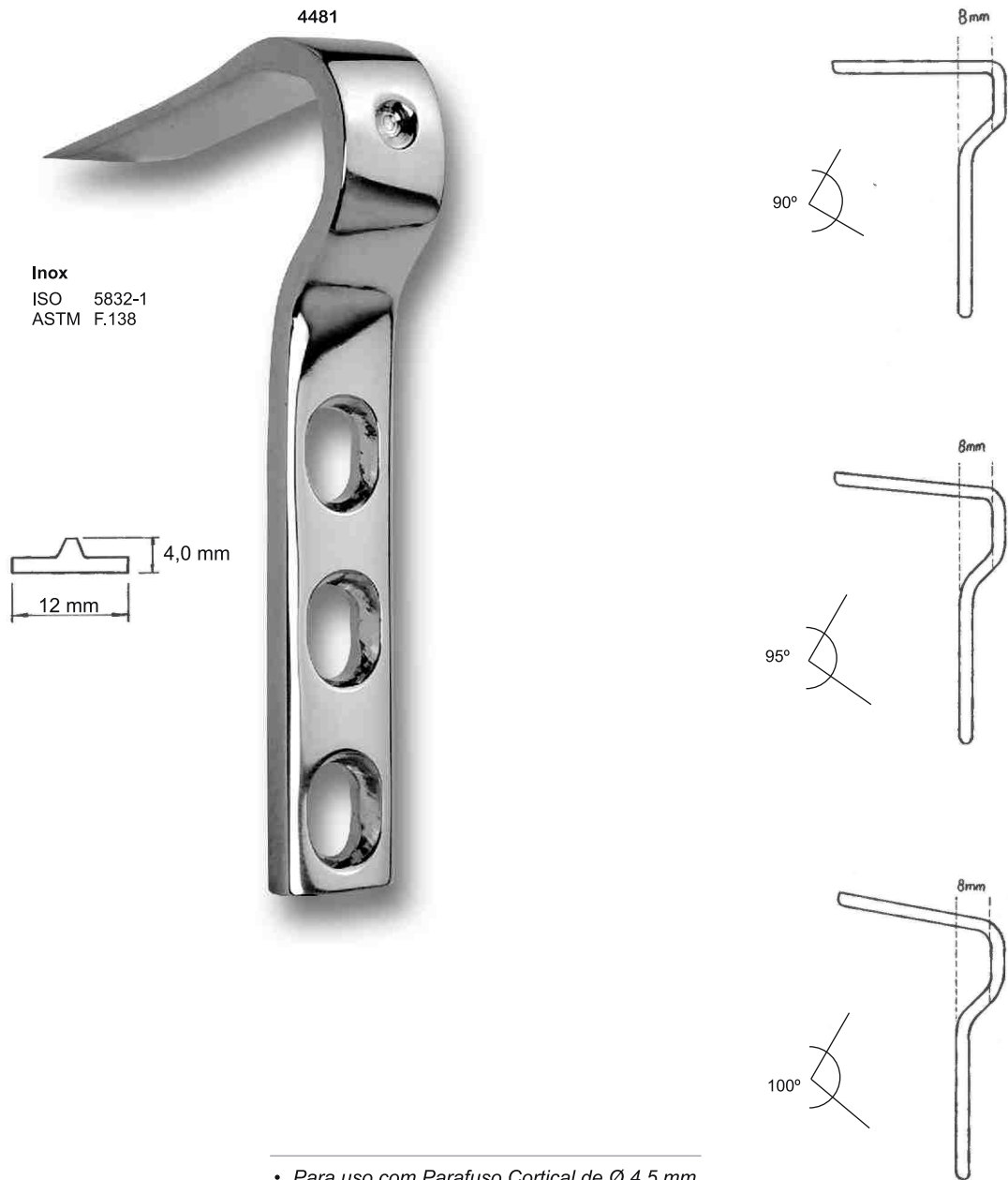
Inox
ISO 5832-1
ASTM F.138

- Para uso com Parafuso Cortical de Ø3,5mm e Parafuso Esponjoso de Ø4mm
- For use With Ø3,5mm Cortex Screws and Ø4mm Cancellous Screws

PLACA ANGULADA PARA OSTEOTOMIA

Angled Plate For Osteotomy

REF.	ÂNGULO	LÂMINA	FUROS
	Angle	Blade	Holes
4482/01	90°	15	3
/02	95°	25	3
/03	90°	15	4
/04	95°	27	4
/05	100°	55	3
/06	100°	45	4



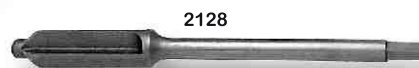
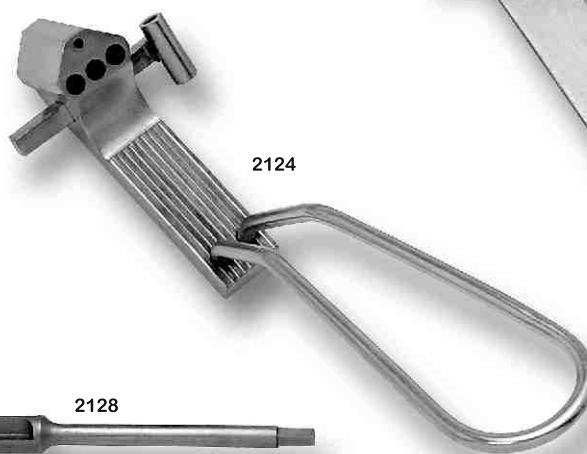
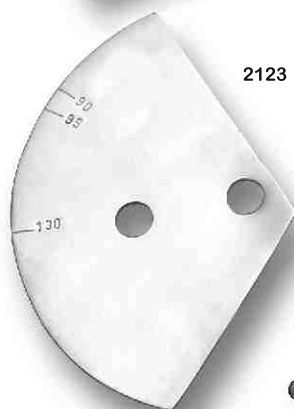
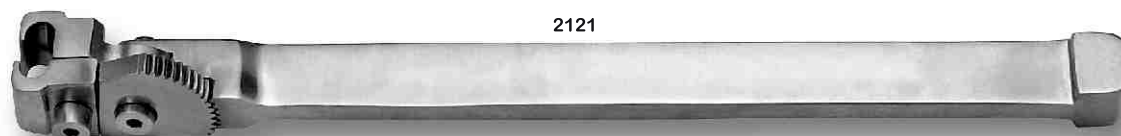
- Para uso com Parafuso Cortical de Ø 4,5 mm e Parafuso Esponjoso de Ø 6,5 mm.
- For use with Ø 4,5 mm Cortical Screw and Ø 6,5 mm Cancellous Screw.

PLACA ANGULADA PARA OSTEOTOMIA
Angled Plate For Osteotomy

REF.	ANG.	PLACA Plate	LÂMINA Blade
4481/01	80°	52	25
/02	80°	52	32
/03	90°	52	25
/04	90°	52	32
/05	100°	52	25
/06	100°	52	32

INSTRUMENTAL PARA PLACA ANGULADA

Angled Plate Instrument



2120 OSTEÓTOMO INICIAL
Initial Osteotome

2121 IMPACTOR EXTRATOR
Impactor Extractor

2122 IMPACTOR FINAL
Final Impactor

2123 GUIA
Guide

2124 GUIA TRÍPLICE
Triple Guide

2125 GUIA CINZEL
Chisel Guide

2126 EXTRATOR DO IMPACTOR
Extractor Impactor

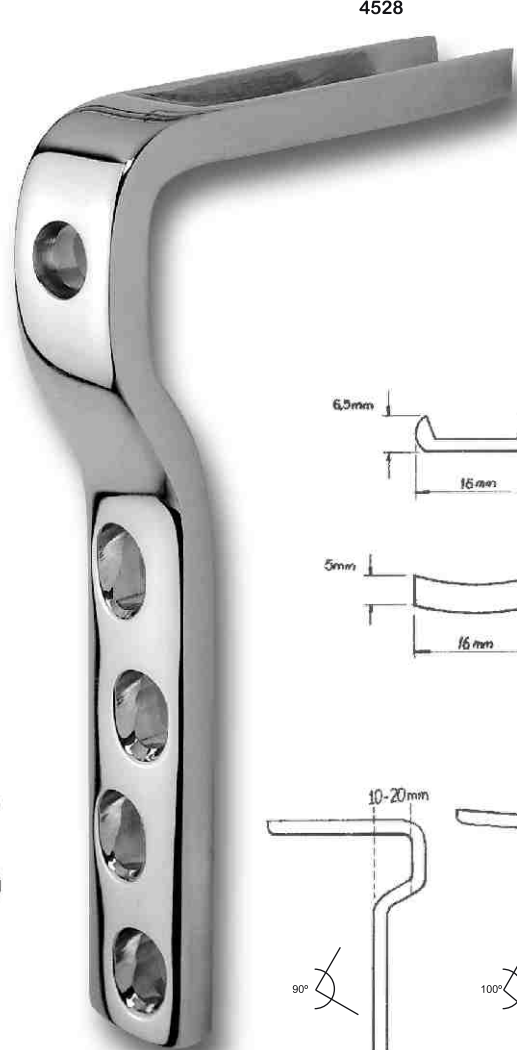
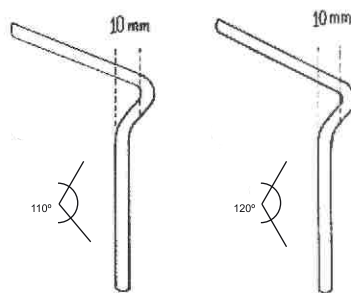
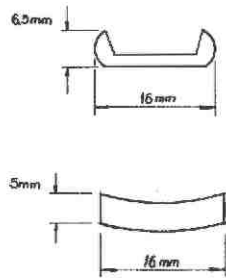
2127 GUIA DA PLACA CONDILAR
Condylar Plate Guide

2128 FRESA
Reamer

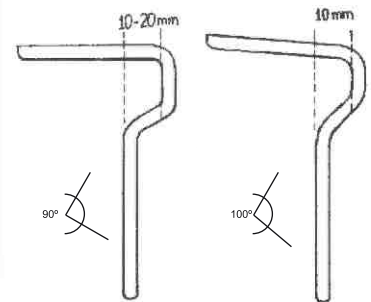
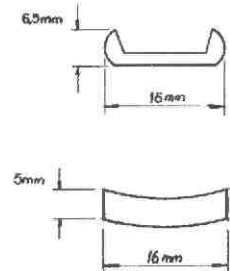


4520

Inox
ISO 5832-1
ASTM F.138



4528



• PARA USO COM PARAFUSO CORTICAL DE 4,5 mm E PARAFUSO ESPONJOSO DE 6,5 mm.

• For use with 4,5 mm Cortical Screw and 6,5 mm Cancellous Screw.

PLACA ANGULADA PARA OSTEOTOMIA

Angled Plate For Osteotomy

REF.	FUROS Holes	GRAUS Degree	LÂMINA Blade
4520/01	4	110°	65
/02	4	110°	75
/03	4	110°	85
/04	4	120°	65
/05	4	120°	75
/06	4	120°	85

PLACA ANGULADA PARA OSTEOTOMIA

Angled Plate For Osteotomy

REF.	FUROS Holes	GRAUS Degree	LÂMINA Blade
4528/01	4	90°	40
/02	4	90°	50
/03	4	90°	60
/04	4	100°	60

PLACA ANGULADA

Angled Plate



Inox
ISO 5832-1
ASTM F.138

- PARA USO COM PARAFUSO CORTICAL DE 4,5 mm E PARAFUSO ESPONJOSO DE 6,5 mm
- For use With 4,5 mm Cortical Screw and 6,5 mm Cancellous Screw

PLACA ANGULADA PERTROCANTÉRICA 130°

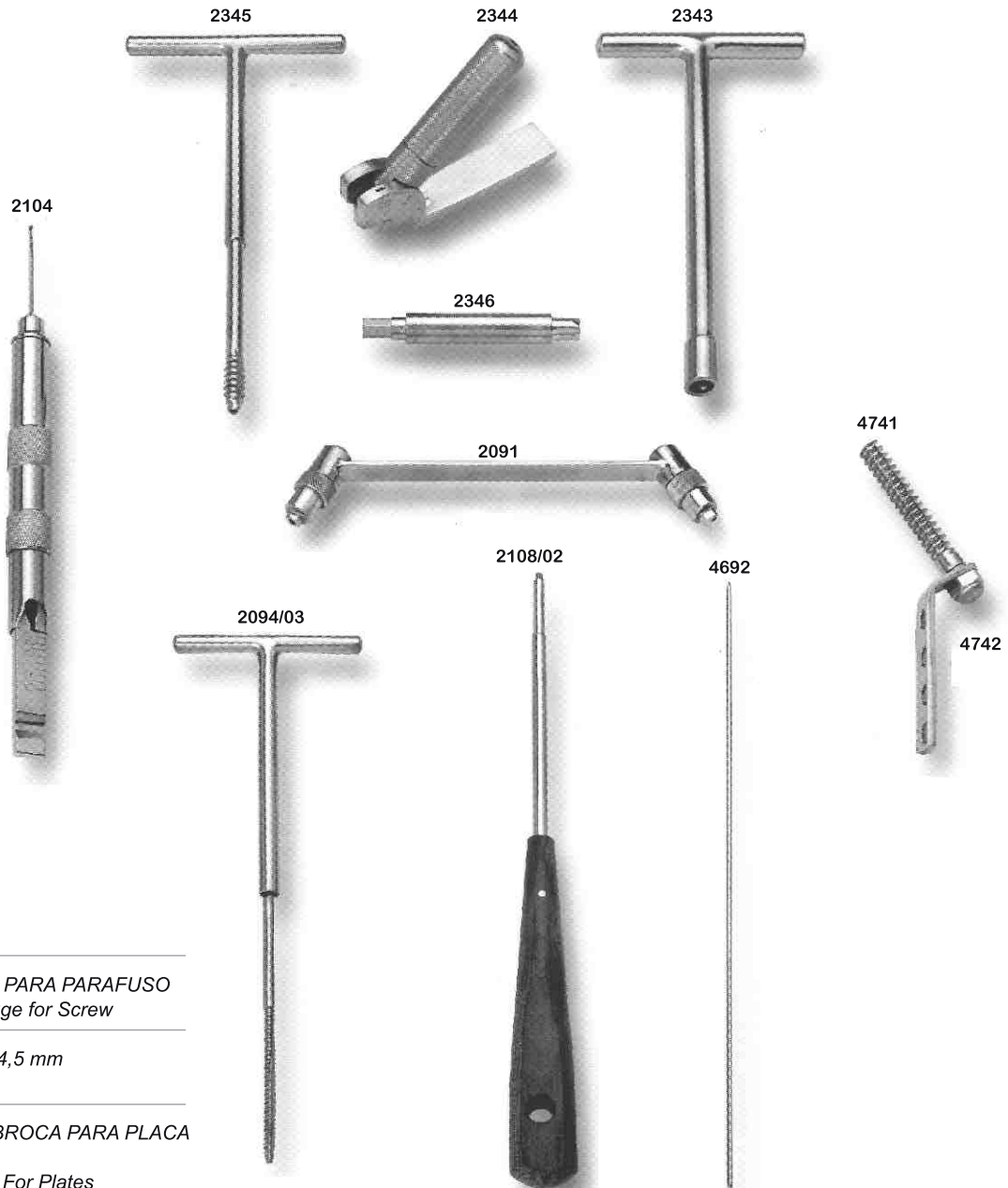
Petrocanteric Angled Plate

REF.	FUROS Holes	PLACA Plate	LÂMINA Blade
4546/01	4	60	70
/02	4	60	80
/03	4	60	90
/04	6	104	60
/05	6	104	70
/06	6	104	80
/07	6	104	90
/08	9	150	60
/09	9	150	70
/10	9	150	80
/11	9	150	90
/12	12	200	60
/13	12	200	70
/14	12	200	80
/15	12	200	90

PLACA ANGULADA CONDILAR 95°

Condylar Angled Plate

REF.	FUROS Holes	PLACA Plate	LÂMINA Blade
4534/01	5	90	60
/02	5	90	70
/03	5	90	80
/04	7	120	60
/05	7	120	70
/06	7	120	80
/07	9	150	60
/08	9	150	70
/09	9	150	80
/10	12	200	60
/11	12	200	70
/12	12	200	80



2104 MEDIDOR PARA PARAFUSO
Depht Gauge for Screw

2094/03 FRESA Ø 4,5 mm
Tap

2091 GUIA DE BROCA PARA PLACA
Ø 3,2 mm
Drill Guide For Plates

2108/02 CHAVE HEXAGONAL
Hex Head Screw Driver

2343/01 CHAVE SEXTAVADA 8,0 mm
Socket Wrench

2343/02 CHAVE SEXTAVADA 12,0 mm
Socket Wrench

2344 GUIA REGULÁVEL PARA FIO
Variable Angle Wire Guide

2345 FRESA PARA PARAFUSO DE
OSTEOTOMIA
Osteotomy Tap For Screw

2346 FRESA INICIAL
Initial Reamer

4692 GUIA DE FIO
Wire Guide

PARAFUSO P/ OSTEOTOMIA PEDIÁTRICA

Pediatric Osteotomy Hip Screw

REF.	COMPR. mm Length
4741/01	19
/02	22
/03	24
/04	28
/05	30
/06	35
/07	40
/08	45
/09	50
/10	55
/11	60
/12	65
/13	70

PLACA ANGULADA PARA OSTEOTOMIA DE

QUADRIL PEDIÁTRICA

Pediatric Osteotomy Hip Plates

REF.	ÂNGULO Angle	COMPR. mm Length	FUROS Holes
4742/01	100°	45	2
/02	100°	65	3
/03	100°	85	4
/04	120°	45	2
/05	120°	65	3
/06	120°	85	4
/07	150°	45	2
/08	150°	65	3
/09	150°	85	4

PLACA TUBO MINUS MINIMAMENTE INVASIVA

Minimal Invasive Tube Plate - Minus



4618
4916



Titannium
Ti 6AL 4v Eli
ISO 5832-3
ASTM F. 136

INOX
ISO 5832-1
ASTM F.138

PARAFUSO DESLIZANTE
Sliding Screw

REF.	Ø mm
4618 /01	50
/02	55
/03	60
/04	65
/05	70
/06	75
/07	80
/08	85
/09	90
/10	95
/11	100
/12	105
/13	110
/14	115
/15	120

PARAFUSO DESLIZANTE
Sliding Screw

REF.	Ø mm
4916 /01	50
/02	55
/03	60
/04	65
/05	70
/06	75
/07	80
/08	85
/09	90
/10	95
/11	100
/12	105
/13	110
/14	115
/15	120

4616
4912



Titannium
Ti 6AL 4v Eli
ISO 5832-3
ASTM F. 136

INOX
ISO 5832-1
ASTM F.138

PLACA MINUS
Minus Plate

REF.	FUROS Holes
4616/01	3

PLACA MINUS
Minus Plate

REF.	FUROS Holes
4912/01	3

4858
6349



Titannium
Ti 6AL 4v Eli
ISO 5832-3
ASTM F. 136

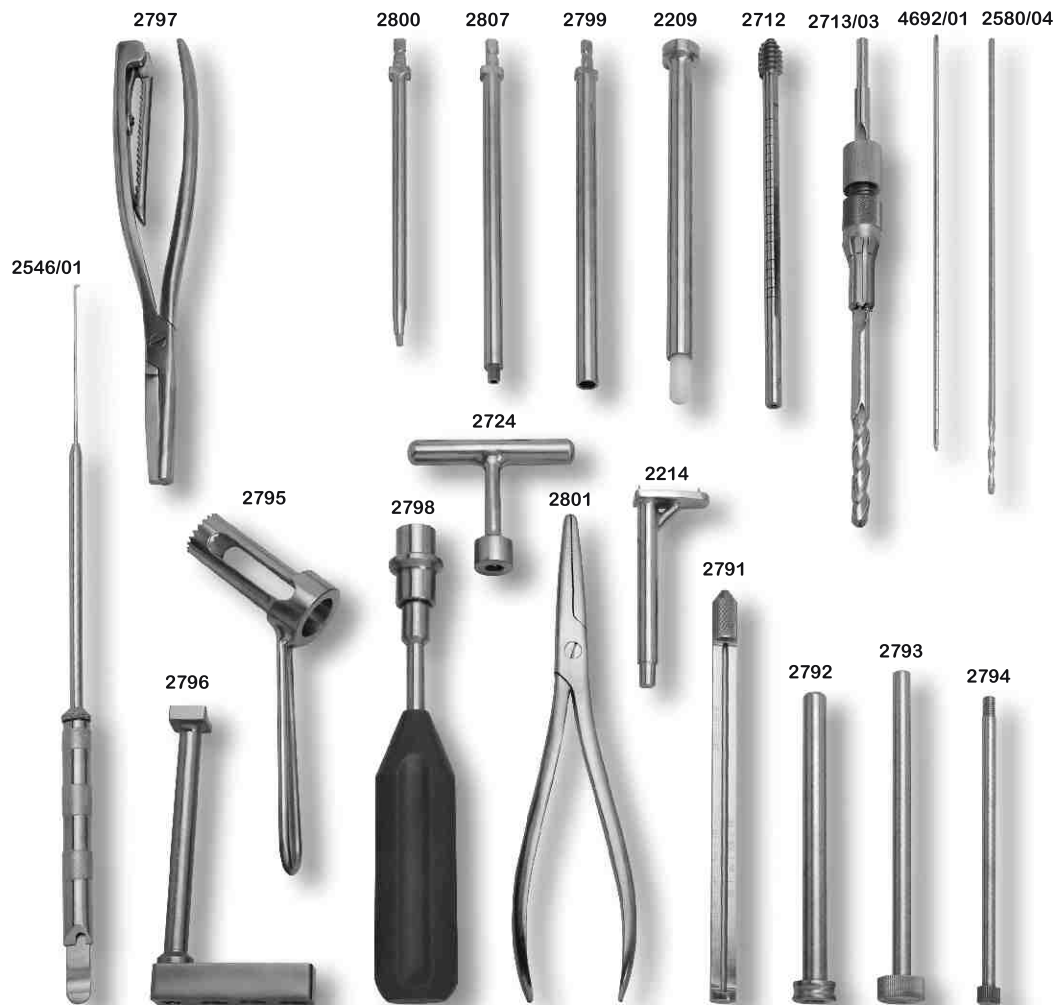
INOX
ISO 5832-1
ASTM F.138

PARAFUSO CORTICAL AUTO ROSQUEANTE Ø 4,5mm
Cortical Screw Self Tapped

REF.	Ø mm	REF.	Ø mm
4858 /01	28	4858 /08	42
/02	30	/09	44
/03	32	/10	46
/04	34	/11	48
/05	36	/12	50
/06	38	/13	52
/07	40	/14	54

PARAFUSO CORTICAL AUTO ROSQUEANTE Ø 4,5mm
Cortical Screw Self Tapped

REF.	COMPR. Length	REF.	COMPR. Length
6349	28	6355	40
6350	30	6356	42
6351	32	6357	44
6352	34	6358	46
6353	36	6359	48
6354	38	6360	50



2209	<i>IMPACTOR DE PLACA Plate Impactor</i>	2792	<i>GUIA CAMISA EXTERNA Guide</i>
2800	<i>CHAVE PARAFUSO CORTICAL 4,5 mm Cortical Screw Wrench</i>	2793	<i>GUIA CAMISA INTERNA Guide</i>
2807	<i>CHAVE INTERNA PARAFUSO DESLIZANTE Wrench</i>	2794	<i>GUIA APARAFUSADO DA PLACA Guide</i>
2214	<i>GUIA 135° Guide</i>	2796	<i>GUIA PLACA Guide</i>
2546/01	<i>MEDIDOR DE PROFUNDIDADE Gauge Depth</i>	2795	<i>GUIA PROTETOR DA BROCA Guide</i>
2580/04	<i>BROCA LONGA 3,2 x 250 mm Drill</i>	2797	<i>GUIA ROTACIONADORA Guide</i>
2713/03	<i>FRESA Reamer</i>	2798	<i>CHAVE COM ENGATE RÁPIDO Wrench</i>
2724	<i>CABO EM T "T" Handle</i>	2799	<i>CHAVE EXTERNA DO PINO DESLIZANTE Wrench</i>
2712	<i>MACHO 13 mm Tap</i>	2801	<i>PINÇA ROTACIONADORA Forceps</i>
2791	<i>MEDIDOR DE PROFUNDIDADE DO PINO DESLIZANTE Gauge Depth</i>	4692/01	<i>FIO CALIBRADO 2,5 x 230 mm Calibrated Wire</i>

PLACA TUBO E PARAFUSO DESLIZANTE SDQ E SDC

Tube Plate And Sliding Screw SDQ and SDC



PLACA TUBO 135° SDQ

Tube Plate

REF.	FUROS Holes
4571/01	3
/02	4
/03	5
/04	6
/05	7
/06	8
/07	9
/08	10
/09	12

PLACA TUBO 95° SDQ

Tube Plate

REF.	FUROS Holes
4589/01	6
/02	8
/03	10
/04	12



PLACA TUBO 150° SDQ

Tube Plate

REF.	FUROS Holes
4580/01	3
/02	4
/03	5
/04	6
/05	7
/06	8
/07	9
/08	10
/09	12

SO CORTICAL
DE 4,5 mm E PARAFUSO ESPONJOSO DE
6,5 mm.

- For use with 4,5 mm Cortical Screw and 6,5 mm Cancellous Screw.

PARAFUSO DESLIZANTE SDQ

Sliding Screw SDQ

REF.	COMPR. mm Length	ROSCA mm Thread
4594/01	51	18
/02	57	18
/03	63	18
/04	70	18
/05	76	18
/06	82	18
/07	89	18
/08	95	18
/09	102	18
/10	108	18
/11	114	18
/12	121	18
/13	127	18
/14	133	18
/15	140	18
/16	146	18
/17	152	18

4594 4595



PARAFUSO DESLIZANTE SDQ

Sliding Screw SDQ

REF.	COMPR. mm Length	ROSCA mm Thread
4595/01	51	29
/02	57	29
/03	63	29
/04	70	29
/05	76	29
/06	82	29
/07	89	29
/08	95	29
/09	102	29
/10	108	29
/11	114	29
/12	121	29
/13	127	29
/14	133	29
/15	140	29
/16	146	29
/17	152	29

PLACA TUBO 135°
Tube Plate

REF.	FUROS Holes
4572/01	3
/02	4
/03	5
/04	6
/05	7
/06	8
/07	9
/08	10
/09	12

PLACA TUBO 150°
Tube Plate

REF.	FUROS Holes
4581/01	3
/02	4
/03	5
/04	6
/05	7
/06	8
/07	9
/08	10
/09	12

PLACA TUBO 95°
Tube Plate

REF.	FUROS Holes
4590/01	6
/02	8
/03	10
/04	12



- PARA USO COM PARAFUSO CORTICAL DE 4,5 mm E PARAFUSO ESPONJOSO DE 6,5 mm.
- For use with 4,5 mm Cortical Screw and 6,5 mm Cancellous Screw.

PARAFUSO DESLIZANTE
Sliding Screw

REF.	COMPR. mm Length	ROSCA Thread
4592/01	51	18
/02	57	18
/03	63	18
/04	70	18
/05	76	18
/06	82	18
/07	89	18
/08	95	18
/09	102	18
/10	108	18
/11	114	18
/12	121	18
/13	127	18
/14	133	18
/15	140	18
/16	146	18
/17	152	18

4592 4593

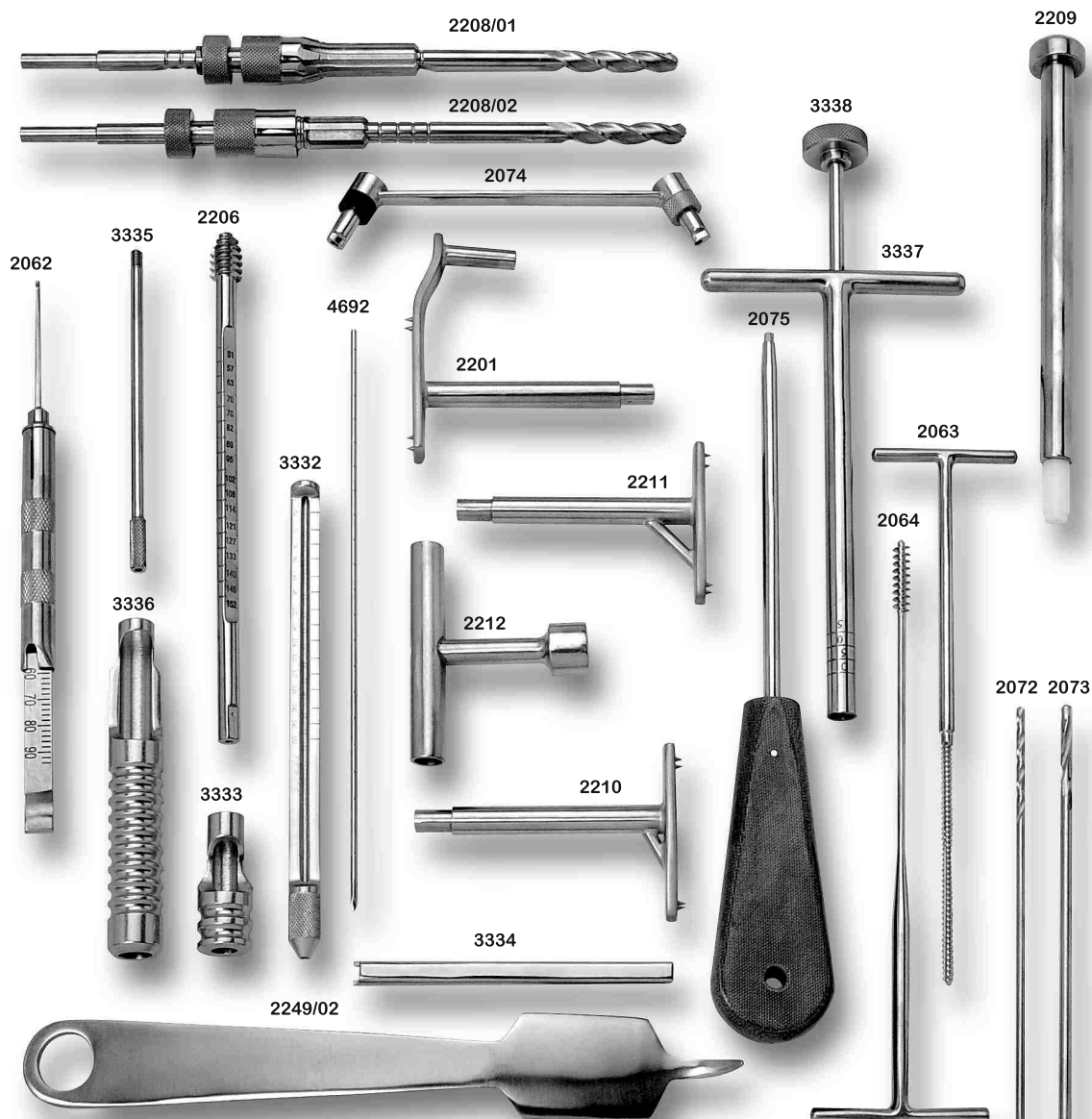


PARAFUSO DESLIZANTE
Sliding Screw

REF.	COMPR. mm Length	ROSCA Thread
4593/01	51	29
/02	57	29
/03	63	29
/04	70	29
/05	76	29
/06	82	29
/07	89	29
/08	95	29
/09	102	29
/10	108	29
/11	114	29
/12	121	29
/13	127	29
/14	133	29
/15	140	29
/16	146	29
/17	152	29

INSTRUMENTAL SDQ E SDC

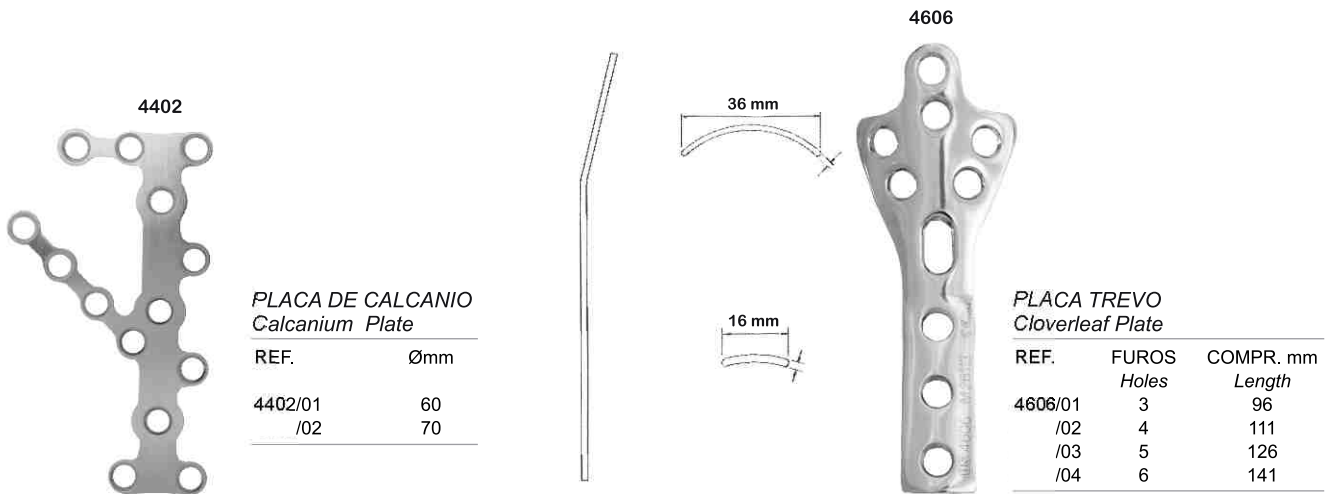
SDQ and SDC Instruments



2062	MEDIDOR <i>Gauge</i>
2063	FRESA MACHO Ø 4,5 mm <i>Tap Reamer</i>
2064	FRESA MACHO Ø 6,5 mm <i>Tap Reamer</i>
2072	BROCA DE AÇO INOX Ø 3,2 mm <i>Stainless Steel Drill</i>
2073	BROCA DE AÇO INOX Ø 4,5 mm <i>Stainless Steel Drill</i>
2074	GUIA DE BROCA PARA PLACA Ø 3,2 mm <i>Drill Guide For Plates</i>
2075	CHAVE SEXTAVADA <i>Hexagonal Screwdriver</i>
2201	GUIA ÂNGULO 95° <i>Angled Guide</i>

2206	FRESA MACHO <i>Tap Reamer</i>
2208/01	FRESA PEQUENA <i>Small Reamer</i>
2208/02	FRESA GRANDE <i>Large Reamer</i>
2209	IMPACTOR DE PLACA <i>Plate Impactor</i>
2210	GUIA ANGULADO 135° <i>Angled Guide</i>
2211	GUIA ANGULADO 150° <i>Angled Guide</i>
2212	CHAVE "T" <i>"T" Wrench</i>
2249/02	AFASTADOR HOHMANN MÉDIO <i>Hohmann Retractor</i>

3332	MEDIDOR <i>Gauge</i>
3333	GUIA DA FRESA <i>Tap Guide</i>
3334	GUIA DA PLACA <i>Plate Guide</i>
3335	GUIA DA PLACA <i>Plate Guide</i>
3336	GUIA DE CHAVE "T" <i>Guide for "T" Wrench</i>
3337	CHAVE "T" <i>"T" Wrench</i>
3338	GUIA DE PINO <i>Pin Fixator</i>
4692	GUIA FIO <i>Wire Guide</i>



PLACA DE CALCANIO
Calcanium Plate

REF.	Ømm
4402/01	60
/02	70

PLACA TREVO
Cloverleaf Plate

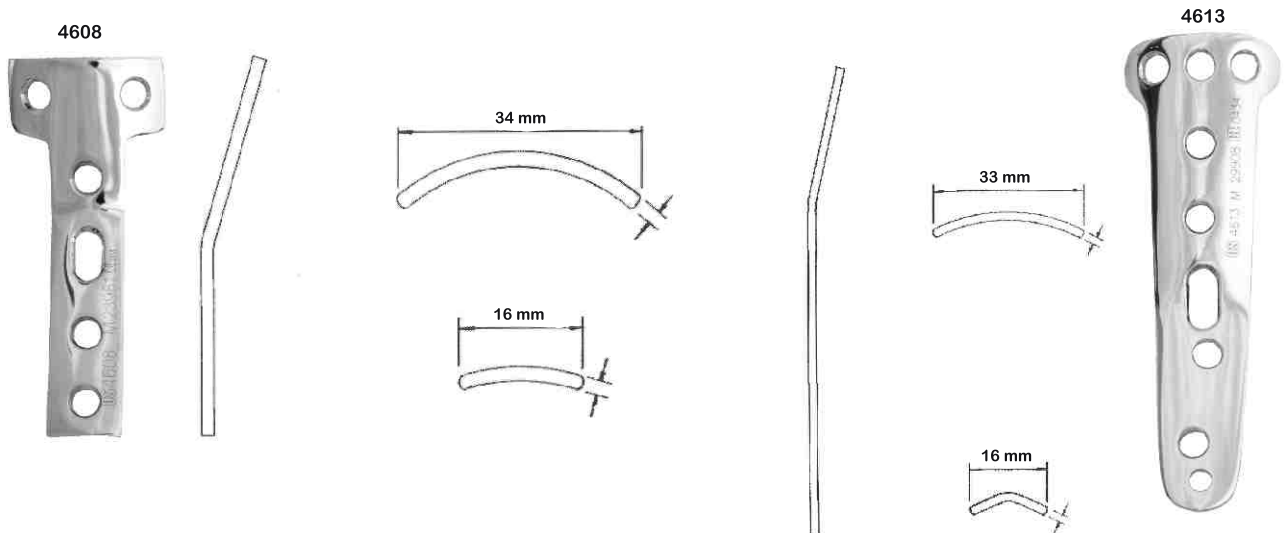
REF.	FUROS Holes	COMPR. mm Length
4606/01	3	96
/02	4	111
/03	5	126
/04	6	141

• PARA USO COM PARAFUSO CORTICAL DE 4,5 mm E PARAFUSO ESPONJOSO DE 6,5 mm.

• For use with 4,5 mm Cortical Screw and 6,5 mm Cancellous Screw.

INOX

ISO 5832-1
ASTM F.139

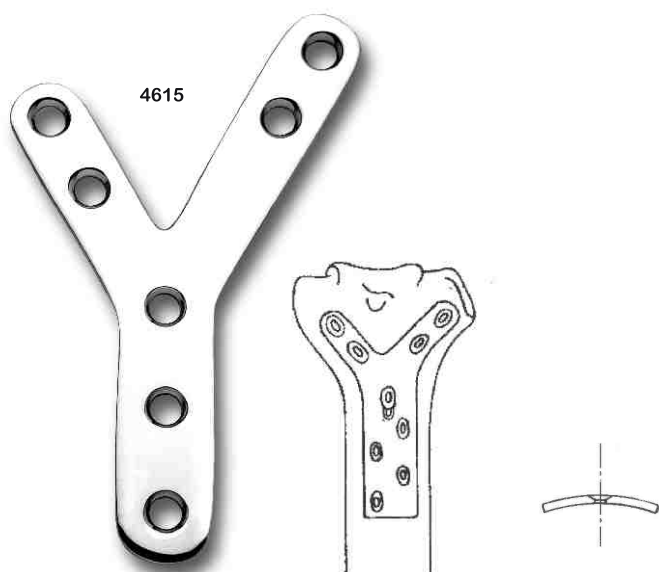


PLACA "T"
"T" Plate

REF.	FUROS Holes	COMPR. mm Length
4608/01	3	68
/02	4	84
/03	5	100
/04	6	116
/05	8	148

PLACA COLHER
Spoon Plate

REF.	FUROS Holes	COMPR. mm Length
4613/01	5	100
/02	6	120



PLACA "Y"
"Y" Plates

DIREITA Right	ESQUERDA Left	FUROS Holes	COMPR. mm Length
REF.	REF.		
4615/01	4615/03	3	77
/02	4615/04	5	106

• PARA USO COM PARAFUSO CORTICAL DE 4,5 mm E PARAFUSO ESPONJOSO DE 6,5 mm.

• For use with 4,5 mm Cortical Screw and 6,5 mm Cancellous Screw

4635



PLACA DE SUSTENTAÇÃO TIBIAL
Tibial Support Plate

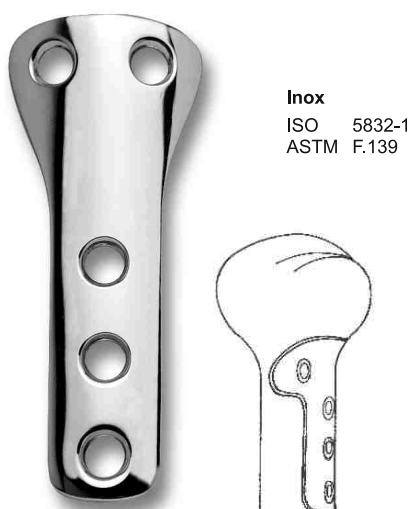
DIREITA
Right

REF.	FUROS COMPR. mm	
	Holes	Length
4635/01	5	126
/02	7	158
/03	9	190
/04	11	222
/05	13	254
/06	15	286

ESQUERDA
Left

REF.	FUROS COMPR. mm	
	Holes	Length
4635/07	5	126
/08	7	158
/09	9	200
/10	11	222
/11	13	254
/12	15	286
/13	16	302

4619



PLACA "T"
"T" Plates

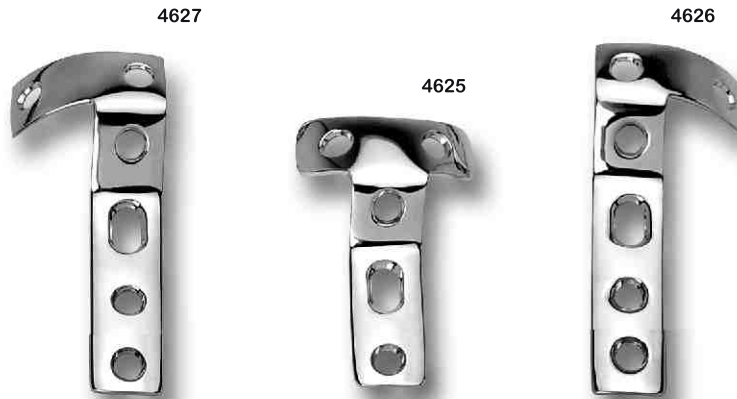
REF.	FUROS COMPR. mm	
	Holes	Length
4619/01	3	78
/02	4	94
/03	5	110
/04	6	126

4451



PLACA UMERAL COM LÂMINA
Umeral Plate With Blade

REF.	FUROS COMPR.		LÂMINA
	Holes	Length	Blade
4451/01	2	63,5	25
/02	4	93,5	25
/03	6	123,5	25
/04	8	153,5	35
/05	10	183,5	25
/06	12	213,5	25
/07	3	78,5	25
/08	5	108,5	25
/09	7	138,5	25
/10	9	168,5	25
/11	4	213,5	35



INOX
ISO 5832-1
ASTM F.139



INOX
ISO 5832-1
ASTM F.138

PLACA "L"
"L" Plate

DIREITA Right	ESQUERDA Left	FUROS Holes	COMPR. mm Length
REF. 4626	REF. 4627	4	87

PLACA DE SUSTENTAÇÃO
Support Plate

DIREITA Right	ESQUERDA Left	FUROS Holes	COMPR. mm Length
REF. 4628/01 /02	REF. 4629/01 4629/02	7 9	158 190

PLACA "T"
"T" Plates

REF.	FUROS Holes	COMPR. mm Length
4625	4	80

PLACA COBRA ARTRODESIS DE QUADRIL
Hip Arthrodesis Plate

REF.	FUROS Holes	COMPR. mm Length
4632/01	8	170
/02	9	186
/03	10	202
/04	11	218

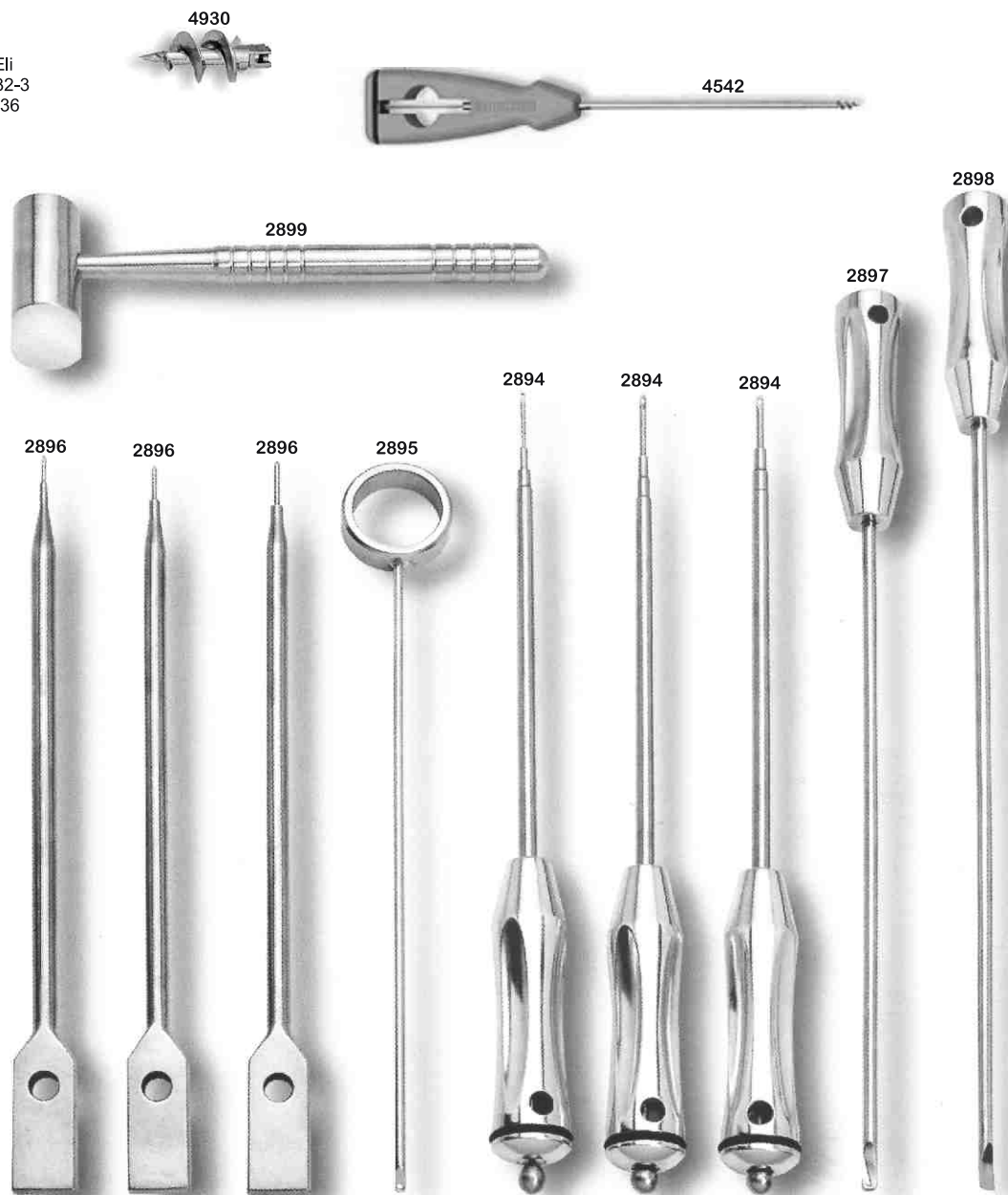
SISTEMA ÂNCORA

Anchor System

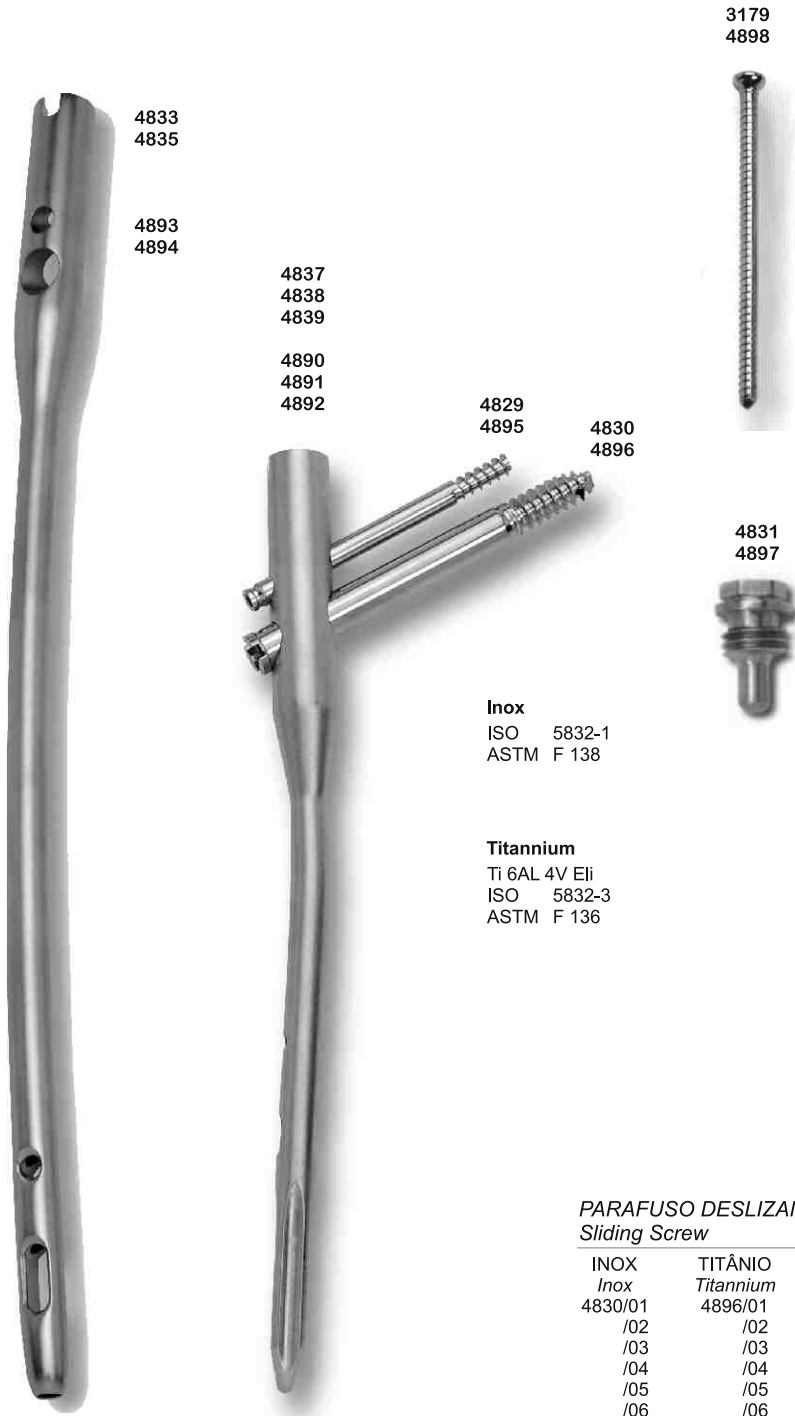


Titanium

Ti 6AL 4V Eli
ISO 5832-3
ASTM F 136



2894/01	CHAVE INTRODUTORA Ø 2,8 mm Introduction Wrench	2896/02	PERFURADOR INICIAL Ø 4,0 mm Initial Perforator	4542/01	ÂNCORA MONTADA COM CABO DESCARTÁVEL Ø 2,8mm Assembled Anchor With Discarded Handle
2894/02	CHAVE INTRODUTORA Ø 4,0 mm Introduction Wrench	2896/03	PERFURADOR INICIAL Ø 5,0 mm Initial Perforator	4542/02	ÂNCORA MONTADA COM CABO DESCARTÁVEL Ø 4mm Assembled Anchor With Discarded Handle
2894/03	CHAVE INTRODUTORA Ø 5,0 mm Introduction Wrench	2897	EXTRATOR DE FIO Wire Extractor	4542/03	ÂNCORA MONTADA COM CABO DESCARTÁVEL Ø 5mm Assembled Anchor With Discarded Handle
2895	IMPACTOR DE NÓ Impactor	2898	OSTEÓTOMO Osteotome	4930/01	PARAFUSO ÂNCORA 2,8 mm Anchor Screw
2896/01	PERFURADOR INICIAL Ø 2,8 mm Initial Perforator	2899	MARTELO Mallets	4930/02	PARAFUSO ÂNCORA 4,0 mm Anchor Screw
				4930/03	PARAFUSO ÂNCORA 5,0 mm Anchor Screw



4833
4835

4893
4894

4837
4838
4839

4890
4891
4892

4829
4895

4830
4896

3179
4898



4831
4897



PINO DE TRAVA Locking Bolt

INOX Inox	TITÂNIO Titanium	COMPRI. Lengths
3179/01	4898/01	26
/02	/02	28
/03	/03	30
/04	/04	32
/05	/05	34
/06	/06	36
/07	/07	38
/08	/08	40
/09	/09	42
/10	/10	44
/11	/11	46
/12	/12	48
/13	/13	50
/14	/14	52
/15	/15	54
/16	/16	56
/17	/17	58
/18	/18	60
/19	/19	64
/20	/20	68
/21	/21	72
/22	/22	76
/23	/23	80
/24	/24	85
/25	/25	90
/26	/26	95
/27	/27	100

Inox
ISO 5832-1
ASTM F 138

Titanium
Ti 6AL 4V ELI
ISO 5832-3
ASTM F 136

PINO INTRAMEDULAR Intramedular Nail

INOX Inox	TITÂNIO Titanium	Ø mm
4837/01	4890/01	10 x 125° x 240
/02	/02	10 x 130° x 240
/03	/03	10 x 135° x 240
4838/01	4891/01	11 x 125° x 240
/02	/02	11 x 130° x 240
/03	/03	11 x 135° x 240
4839/01	4892/01	12 x 125° x 240
/02	/02	12 x 130° x 240
/03	/03	12 x 135° x 240

PARAFUSO DESLIZANTE Sliding Screw

INOX Inox	TITÂNIO Titanium	Ø mm
4830/01	4896/01	11 x 80
/02	/02	11 x 85
/03	/03	11 x 90
/04	/04	11 x 95
/05	/05	11 x 100
/06	/06	11 x 105
/07	/07	11 x 110
/08	/08	11 x 115
/09	/09	11 x 120

PARAFUSO DESLIZANTE Sliding Screw

INOX Inox	TITÂNIO Titanium	Ø mm
4829/01	4895/01	6,5 x 75
/02	/02	6,5 x 80
/03	/03	6,5 x 85
/04	/04	6,5 x 90
/05	/05	6,5 x 95
/06	/06	6,5 x 100
/07	/07	6,5 x 105
/08	/08	6,5 x 110
/09	/09	6,5 x 115
/10	4895/10	6,5 x 120

PARAFUSO TAMPÃO Plug Screw

INOX Inox	TITÂNIO Titanium
4831	4897

PINO INTRAMEDULAR CANULADO ESQUERDO Intramedular Left Nail

INOX Inox	TITÂNIO Titanium	Ø mm
4835/01	4894/01	10 x 125° x 340
/02	/02	10 x 130° x 340
/03	/03	10 x 125° x 380
/04	/04	10 x 130° x 380
/05	/05	10 x 125° x 420
/06	/06	10 x 130° x 420

PINO INTRAMEDULAR CANULADO DIREITO Intramedular Right Nail

INOX Inox	TITÂNIO Titanium	Ø mm
4833/01	4893/01	10 x 125° x 340
/02	/02	10 x 130° x 340
/03	/03	10 x 125° x 380
/04	/04	10 x 130° x 380
/05	/05	10 x 125° x 420
/06	/06	10 x 130° x 420

INSTRUMENTAL PARA SISTEMA SIGNUS PROXIMAL

Signus Proximal Nail System Instruments



2929 CHAVE CARDAN HEXAGONAL CABO EM "T"
"T" Hexagonal Wrench

2937 GUIA DE BROCA Ø 17,0 / 2,8 mm
Drill Guide

2938 GUIA DE LIMPEZA Ø 2,9 mm
Cleanness Guide

2939 PERFURADOR CANULADO
Cannulated Drill

2941 MARTELO DE POLIETILENO
Polyethylene Mallet

2171 PERFURADOR UNIVERSAL CABO EM "T"
"T" Hand Drill

2943 PERFURADOR Ø 2,8 mm
Perfurator

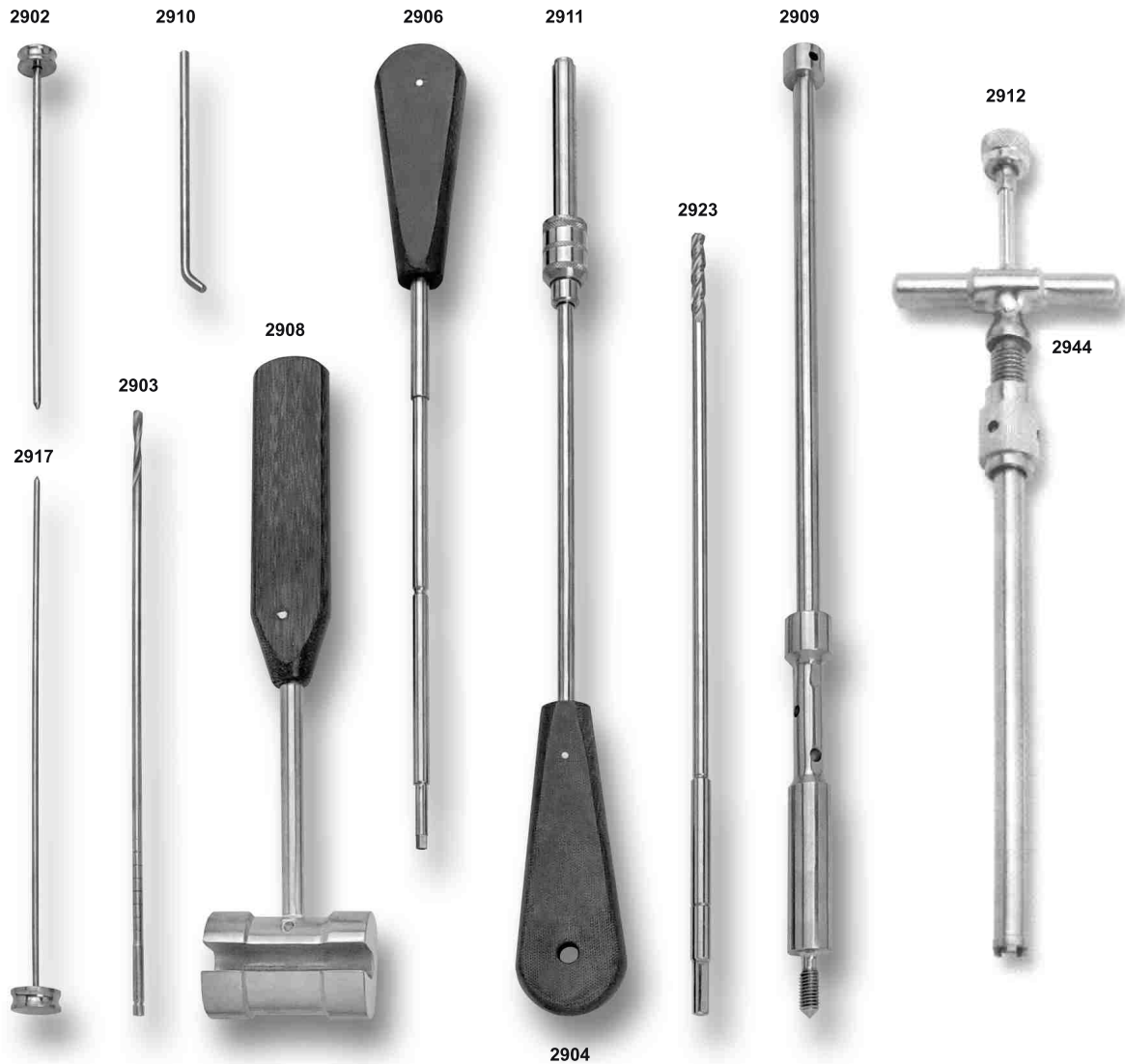
2913 GUIA DE PROTEÇÃO
Protection Guide

2914 GUIA DE INSERÇÃO
Insertion Guide

2915 GUIA DO IMPACTOR DO MARTELO
Mallet Impactor Guide

2919 GUIA DE PARAFUSO DE CONEXÃO
Conection Screw Guide

2920 BROCA CANULADA Ø 17,0 mm
Cannulated Drill



2902 *PERFURADOR Ø 4,0 mm*
Perforator

2903 *BROCA DE Ø 4,0 mm*
Drill

2904 *CHAVE HEXAGONAL GRANDE COM PINÇA*
Large Hexagonal Wrench With Clamp

2906 *CHAVE HEXAGONAL CANULADA*
Cannulated Hexagonal Wrench

2908 *MARTELO DESLIZANTE*
Sliding Mallet

2909 *IMPACTOR DO MARTELO*
Mallet Impactor

2910 *CHAVE Ø 4,5 mm*
Wrench

2912 *GUIA CANULADO DA CHAVE EM "T"*
Cannulated Guide "T" Wrench

2917 *PERFURADOR DE Ø 4,0 / 162 mm*
Perforator

2923 *BROCA CANULADA DE Ø 6,5 mm*
Cannulated Drill

2944 *CHAVE EM "T" PARA INTRODUÇÃO E REDUÇÃO*
"T" Wrench For Introduction and Reduction

INSTRUMENTAL PARA SISTEMA SIGNUS PROXIMAL

Signus Proximal Nail System Instruments



REF: 2947
OBS.: USADO TAMBÉM EM ORTOLOCK FEMORAL E TIBIAL CANULADO.

Ref: 2947
Obs.: Used also in cannulated femoral and tibial nail.

2900	GUIA DE PROTEÇÃO HÍSTICA Ø 11,0 / 8,0 mm Histic Protection Guide
2901	GUIA DE BROCA Ø 8,0 / 4,0 mm Drill Guide
2907	MEDIDOR DE PROFUNDIDADE Ø 2,8 mm Depht Gauge
2921	FRESA DE Ø 11,0 mm Reamer
2930	FRESA CANULADA MACHO Ø 6,5 mm Tap Cannulated Reamer Ø 6,5 mm
2931	GUIA DE PROTEÇÃO HÍSTICA Ø 14,0 / 11,0 mm Histic Protection Guide
2932	GUIA DE BROCA 11,0 x 2,8 mm Drill Guide

2933	PERFURADOR Ø 2,8 mm Perfurator
2934	MEDIDOR DE PROFUNDIDADE 2,8 mm Depht Gauge
2935	GUIA DE PROTEÇÃO HÍSTICA 8,0 x 6,5 mm Histic Protection Guide
2936	GUIA DE BROCA 6,5 x 2,8 mm Drill Guide
2945	GUIA FIO 2,8 x 350 mm COM PONTO ROSQUEADA Wire Guide Threaded Point
2947	GUIA ORIENTADOR PARA BLOQUEIO DISTAL Distal Blocking Orienting Guide

4814
4815
4816
4817



3323



Inox
ISO 5832-1
ASTM F 138

3178



PINO DE TRAVA

Locking Bolt

REF.	COMPR. Lengths
3178/05	34
/06	36
/07	38
/08	40
/09	42
/10	44
/11	46
/12	48
/13	50
/14	52
/15	54
/16	56
/17	58
/18	60
/19	64
/20	68
/21	72
/22	76
/23	80
/24	85
/25	90
/26	95
/27	100

ORTOLOCK FEMORAL CANULADO

Cannulated Ortolock Femoral Nail

	4814 Ø10mm	4815 Ø11mm	4816 Ø12mm	4817 Ø13mm	COMPR. Length
/01	●	●	●	●	300
/02	●	●	●	●	320
/03	●	●	●	●	340
/04	●	●	●	●	360
/05	●	●	●	●	380
/06	●	●	●	●	400
/07	●	●	●	●	420
/08	●	●	●	●	440
/09	●	●	●	●	460
/10	●	●	●	●	480

1221/02 GUIA ALINHADOR ROSQUEADO
Threaded Alignment Guide

1222 GUIA DO ALINHADOR
Alignment Guide

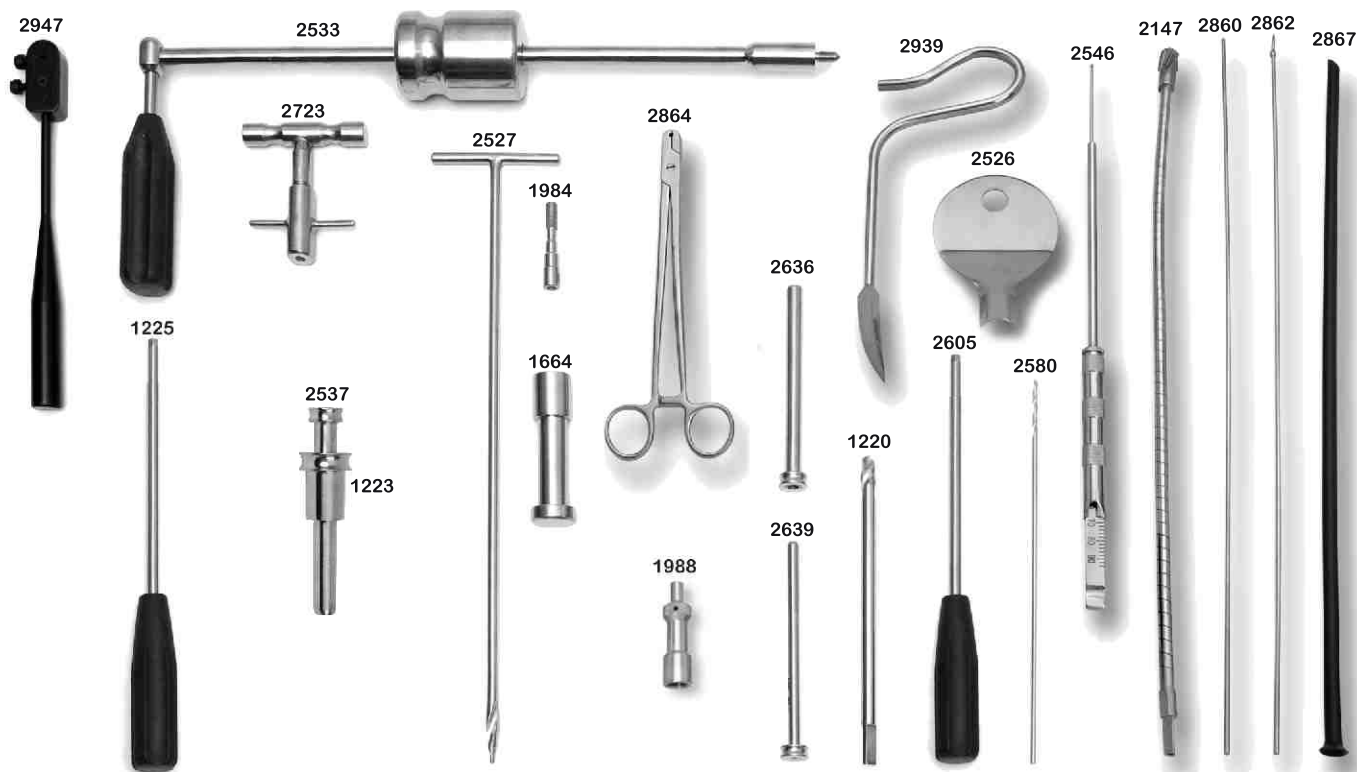
2638 GUIA P/ ORTOLOCK FEMORAL
Ortolock Guide

3323 PARAFUSO TAMPÃO
Inox Plug Screw



INSTRUMENTAL DE ORTOLOCK FEMORAL CANULADO

Ortolock Femoral Cannulated Instruments



FRESA INTRAMEDULAR

Intramedular Reamer

REF.	Ø mm
2147/03	Ø 09mm
/04	Ø 10mm
/05	Ø 11mm
/06	Ø 12mm
/07	Ø 13mm

FRESA MANUAL PARA ABRIR CAVIDADE MEDULAR

Intramedular Rigid Reamer

REF.	Ø mm
2527/03	9
/04	10
/05	11

1220/01	BROCA Ø 8X200MM Drill
1220/02	BROCA Ø 10X200MM Drill
1223/01	GUIA ADAPTADOR DO GUIA DE BROCA Ø 8mm Adaptator for Drill Guide Ø 8mm
1223/02	GUIA ADAPTADOR DO GUIA DE BROCA Ø 10mm Adaptator for Drill Guide Ø 10mm
1225	CHAVE SEXTAVADA Hexagonal Wrench
1664	IMPACTOR Impactor
1984	PARAFUSO DE CONEXÃO Conexion Screw
1988	GUIA ADAPTADOR DO IMPACTOR Impactor Guide
2939	PERFURADOR COM CABO Perfurator With Handle.
2524/01	BROCA 4,5 x 180 mm Drill
2526	AFASTADOR DE PARTES MOLES Retractor Tissue Protector
2533	EXTRATOR DE PREGO Nail Extractor
2537/02	GUIA DE BROCA Ø 8X114 mm Drill Guide Ø 8X114 mm

2537/03	GUIA DE BROCA Ø 10X114 mm Drill Guide Ø 10X114 mm
2546/02	MEDIDOR EXTRA LONGO Gauge
2580/02	BROCA 3,5 x 260 mm Drill
2605	CHAVE HEXAGONAL Hexagonal Wrench
2636	GUIA PROTETOR Protector Guide
2639	GUIA DE BROCA Drill Guide
2723/03	EXTRATOR DE FIO Wire Extractor
2860	GUIA FIO RETO SEM OLIVA 3 x 500 mm Smooth Wire
2862	GUIA FIO PONTA ANGULADA COM OLIVA 3 x 500 mm Wire With Sphere
2864	PINÇA PORTA GUIA 3 mm Forceps Guide
2867	GUIA TUBO INTRAMEDULAR FLEXÍVEL 480 mm Intramedular Flexible Guide
2947	GUIA ORIENTADOR Guide

4644
4645
4646
4647



2598



PINO DE TRAVA
Locking Bolt

REF.	COMPR. Lengths
3177/01	34
/02	36
/03	38
/04	40
/05	42
/06	44
/07	46
/08	48
/09	50
/10	52
/11	54
/12	56
/13	58
/14	60
/15	64
/16	68
/17	72
/18	76
/19	80
/20	85
/21	90
/22	95
/23	100

Titanium

Ti 6AL 4V Eli
ISO 5832-3
ASTM F 136

2598 **PARAFUSO TAMPÃO**
Plug Screw

ORTOLOCK FEMORAL
Ortolock Femoral Nail

	4644 Ø09mm	4645 Ø10mm	4646 Ø11mm	4647 Ø12mm	COMPR. Length
/01	●	●	●	●	300
/02	●	●	●	●	320
/03	●	●	●	●	340
/04	●	●	●	●	360
/05	●	●	●	●	380
/06	●	●	●	●	400
/07	●	●	●	●	420
/08	●	●	●	●	440
/09	●	●	●	●	460
/10	●	●	●	●	480

3177



1221/02 **GUIA ALINHADOR ROSQUEADO**
Threaded Alignment Guide

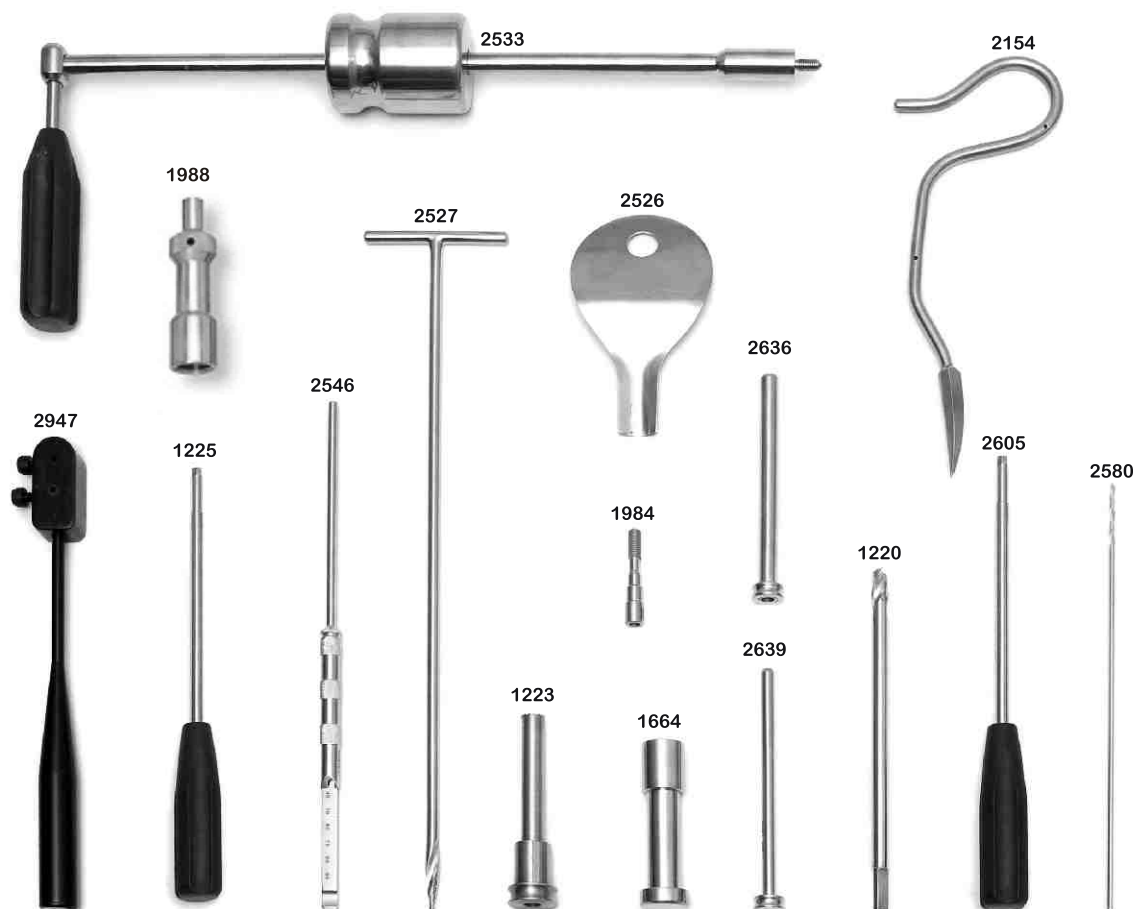
1222 **GUIA DO ALINHADOR**
Alignment Guide

2638 **GUIA ORTOLOCK FEMORAL**
Guide



INSTRUMENTAL ORTOLOCK FEMORAL SÓLIDO

Ortolock Solid femoral Instruments



1220/01	Broca Ø 8x200mm Drill	2527/03	FRESA MANUAL Ø 9mm Manual Reamer
1220/02	Broca Ø 10x200mm Drill	2527/04	FRESA MANUAL Ø 10mm Manual Reamer
1223/01	Guia de Broca Ø 8mm Drill Guide	2527/05	FRESA MANUAL Ø 11mm Manual Reamer
1223/02	Guia de Broca Ø 10mm Drill Guide	2533	EXTRATOR DE PREGO Nail Extractor
1225	CHAVE SEXTAVADA Wrench	2546/02	MEDIDOR EXTRA LONGO Gauge
1664	IMPACTOR Impactor	2580/02	BROCA 3,5X260 Drill
1984	PARAFUSO DE CONEXÃO Conexion Screw	2605	CHAVE HEXAGONAL Hexagonal Wrench
1988	GUIA ADAPTADOR DO IMPACTOR Impactor Guide	2636	GUIA PROTETOR Protector Guide
2154/01	PERFURADOR COM CABO Perforator With Handle	2639	GUIA DE BROCA Drill Guide
2526	PROTETOR DE PARTES MOLES Retractor Tissue Protector	2947	GUIA ORIENTADOR PARA BLOQUEIO DISTAL Guide



2597 PARAFUSO TAMPÃO
Plug Screw

PINO DE TRAVA
Locking Bolt

REF.	COMPR. Length	REF. COMPR.	Length
3178/01	26	3178/13	50
/02	28	/14	52
/03	30	/15	54
/04	32	/16	56
/05	34	/17	58
/06	36	/18	60
/07	38	/19	64
/08	40	/20	68
/09	42	/21	72
/10	44	/22	76
/11	46	/23	80
/12	48		

Inox
ISO 5832-1
ASTM F 138

ORTOLOCK TIBIAL
Tibial Ortolock Nail

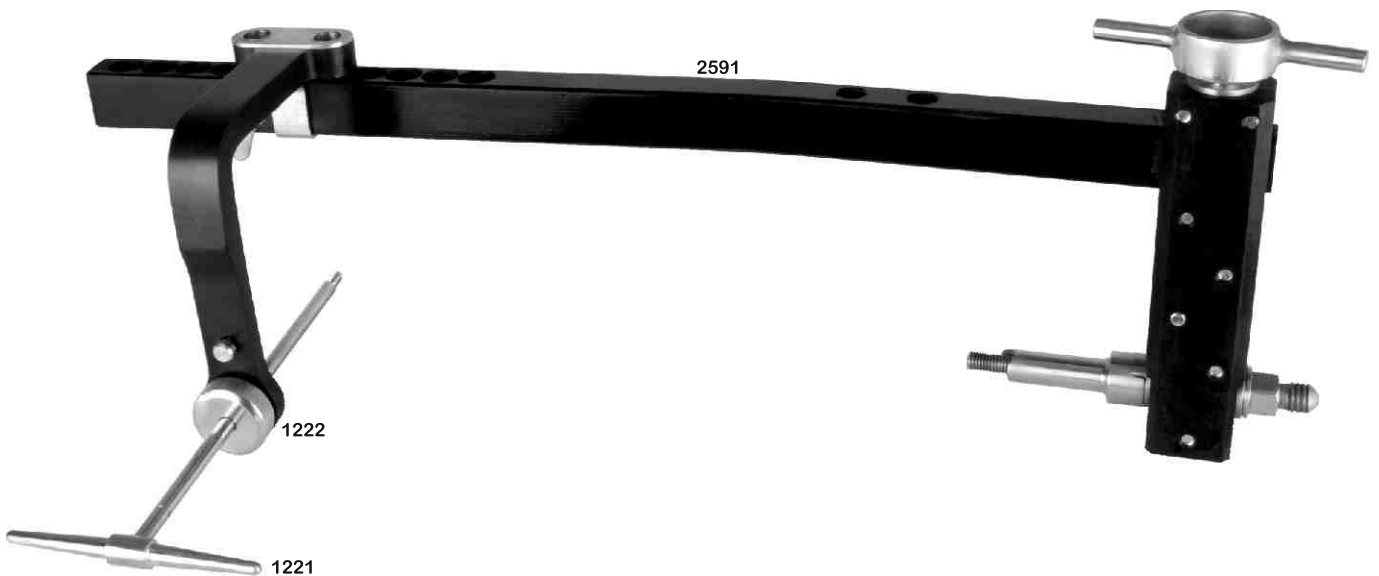
	4818 Ø09mm	4819 Ø10mm	4826 Ø11mm	4827 Ø12mm	4417 Ø13mm	COMPR. Length
/01	●	●	●	●	●	255
/02	●	●	●	●	●	270
/03	●	●	●	●	●	285
/04	●	●	●	●	●	300
/05	●	●	●	●	●	315
/06	●	●	●	●	●	330
/07	●	●	●	●	●	345
/08	●	●	●	●	●	360
/09	●	●	●	●	●	375



2591 GUIA DE BLOQUEIO
Blocking Device

1221/01 GUIA ALINHADOR BLOQUEADO
Threaded Alignment Guide

1222 GUIA DO ALINHADOR
Alignment Guide



INSTRUMENTAL PARA ORTOLOCK TIBIAL CANULADO

Ortolock Cannulated Tibial Instruments



1220/01 BROCA Ø6X175 mm
Drill

1223/01 GUIA ADAPTADOR DO GUIA DE BROCA Ø8X175 mm
Adaptator for Drill Guide Ø 8mm

2537/01 GUIA DE BROCA Ø 3,6 mm
Drill Guide Ø 3,6

2537/02 GUIA DE BROCA Ø 8X114 mm
Drill Guide Ø 8X114 mm

2544 GUIA PROTETOR
Protector Guide

2546/01 MEDIDOR EXTRA LONGO
Gauge Extra Long

2580/01 BROCA 3,5 x 200 mm
Drill

2581 EXTRATOR IMPACTOR
Extractor Impactor

2583/01 FRESA GUIA
Reamer Guide

2584 GUIA FIO DO CINZEL
Wire Guide Chisel

2585 GUIA FRESA
Reamer Guide

FRESA INTRAMEDULAR Intramedular Reamer

REF.	Ø mm
2147/03	09
/04	10
/05	11
/06	12
/07	13

FRESA MANUAL Ø 7mm Manual Reamer

REF.	Ø mm
2527/01	7
/02	8
/03	9

2588/02 GUIA ORIENTADOR DO PREGO
Orienting Nail

2605 CHAVE HEXAGONAL
Hexagonal Guide

2723 EXTRATOR DE FIO
Wire Extractor

2860/01 GUIA FIO Ø 3,0 x 500 mm
Wire Guide

2862/01 GUIA FIO COM PONTA ANGULADA C/ OLIVA
Wire With Sphere

2864 PINÇA PORTA FIO GUIA Ø 3,0
Wire Tweezer Guide

2865 IMPACTOR EXTRATOR
Impactor Extractor

2866 PARAFUSO DE CONEXÃO
Conection Screw

2867 GUIA TUBO INTRAMEDULAR FLEXÍVEL
Intramedular Flexible Guide

2875 CHAVE CACHIMBO 5/8 CANULADA
Cannulated 5/8 Wrench

4641
4642
4643



2597



2597 *PARAFUSO TAMPÃO*
Plug Screw

Inox
ISO 5832-1
ASTM F 138

3178



ORTOLOCK TIBIAL
Tibial Ortolock Nail

	4641 Ø08mm	4642 Ø09mm	4643 Ø10mm	COMPR. Length
/01	●	●	●	255
/02	●	●	●	270
/03	●	●	●	285
/04	●	●	●	300
/05	●	●	●	315
/06	●	●	●	330
/07	●	●	●	345
/08	●	●	●	360
/09	●	●	●	375

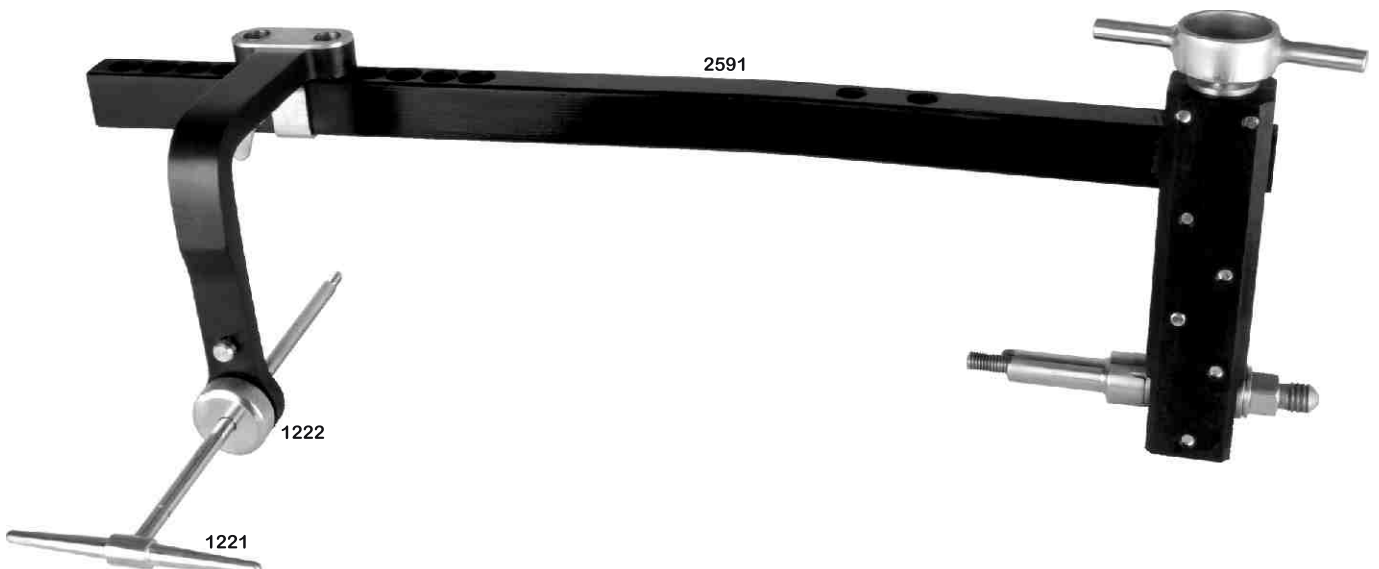
PINO DE TRAVA
Locking Bolt

REF. 3178	COMPR. Length	REF. 3178	COMPR. Length
/01	26	/13	50
/02	28	/14	52
/03	30	/15	54
/04	32	/16	56
/05	34	/17	58
/06	36	/18	60
/07	38	/19	64
/08	40	/20	68
/09	42	/21	72
/10	44	/22	76
/11	46	/23	80
/12	48		

2591 *GUIA DE BLOQUEIO*
Blocking Device

1221/01 *GUIA ALINHADOR ROSQUEADO*
Threaded Aligment Guide

1222 *GUIA DO ALINHADOR*
Aligment Guide



INSTRUMENTAL PARA ORTOLOCK TIBIAL SÓLIDO

Ortolock Solid Tibial Instruments



FRESA MANUAL Ø 7mm Manual Reamer

REF.	Ø mm
2527/01	7
/02	8
/03	9

1220/01 BROCA Ø8X175 mm
Drill

1223/03 GUIA DE BROCA
Drill Guide

2537 GUIA DE BROCA
Drill Guide

2544 GUIA PROTETOR
Protector Guide

2546/01 MEDIDOR EXTRA LONGO
Gauge Extra Long

2580/01 BROCA Ø 3,5 x 200
Drill

2581 EXTRATOR DO IMPACTOR
Impactor Extractor

2582 IMPACTOR / EXTRATOR
Impactor / Extractor

2583/01 FRESA GUIA
Reamer Guide

2584 GUIA DO FIO
Wire Guide Chisel

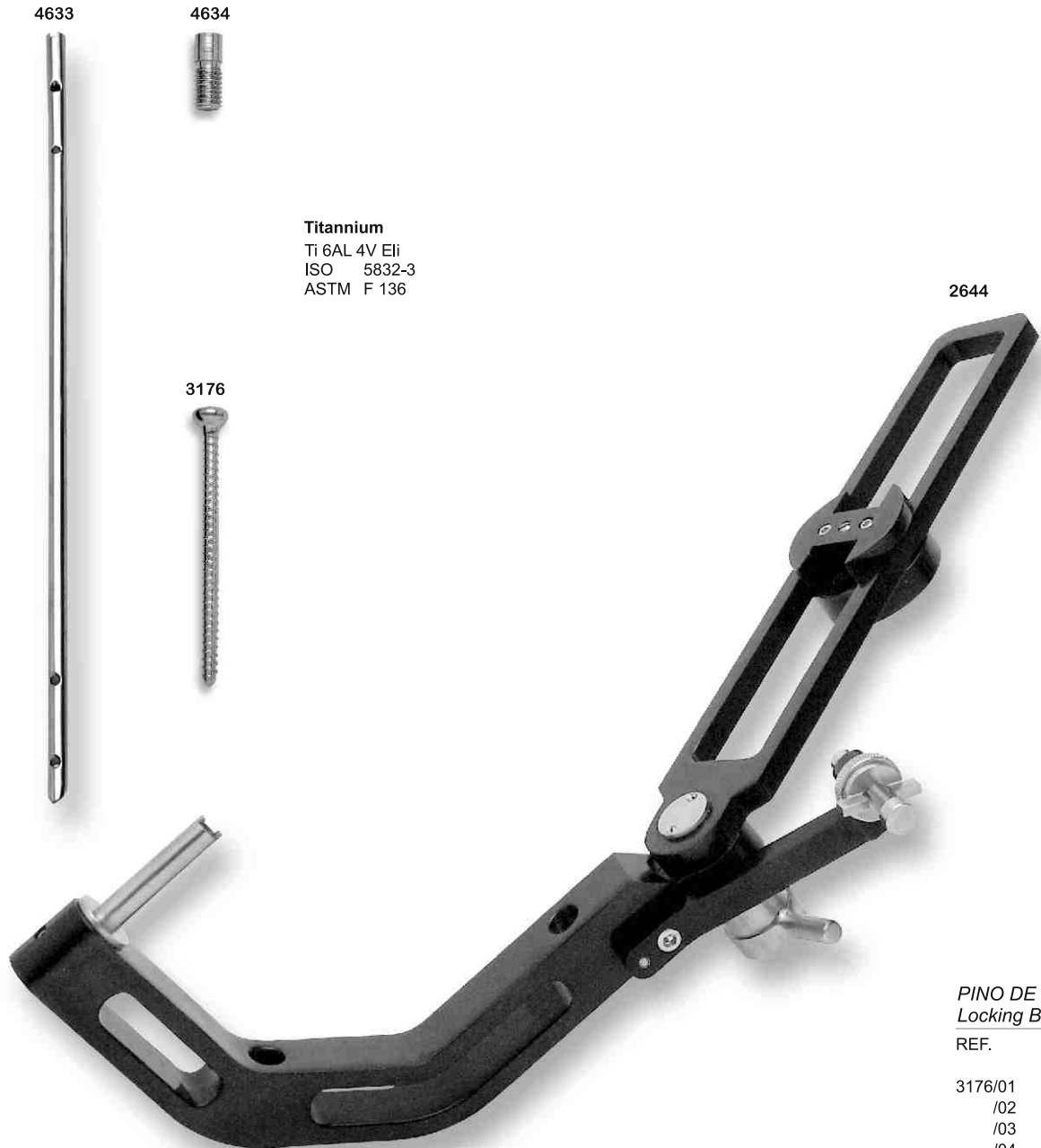
2585 GUIA PROTETOR
Protector Guide

2587 PARAFUSO DE CONEXÃO
Connection Screw

2588 GUIA ORIENTADOR DO PREGO
Orienting Guide For Nail

2593 CHAVE CACHIMBO 5/8
Wrench

2605 CHAVE HEXAGONAL
Hexagonal Wrench



Titannium
Ti 6AL 4V ELI
ISO 5832-3
ASTM F 136

2644	GUIA DE BLOQUEIO Blocking Device
4634	PARAFUSO TAMPÃO Plug Screw

ORTOLOCK UMERAL Ø 7 mm
Humeral Ortolock Nail

REF.	COMPR. Lengths mm
4633/01	190
/02	205
/03	220
/04	230
/05	240
/06	250
/07	260
/08	270
/09	280
/10	295
/11	310
/12	325

PINO DE TRAVA
Locking Bolt

REF.	COMPR. Lengths
3176/01	16
/02	18
/03	20
/04	22
/05	24
/06	26
/07	28
/08	30
/09	32
/10	34
/11	36
/12	38
/13	40
/14	42
/15	44
/16	46
/17	48
/18	50
/19	52
/20	54
/21	56
/22	58
/23	60

INSTRUMENTAL PARA ORTOLOCK UMERAL

Ortolock Humeral Instruments



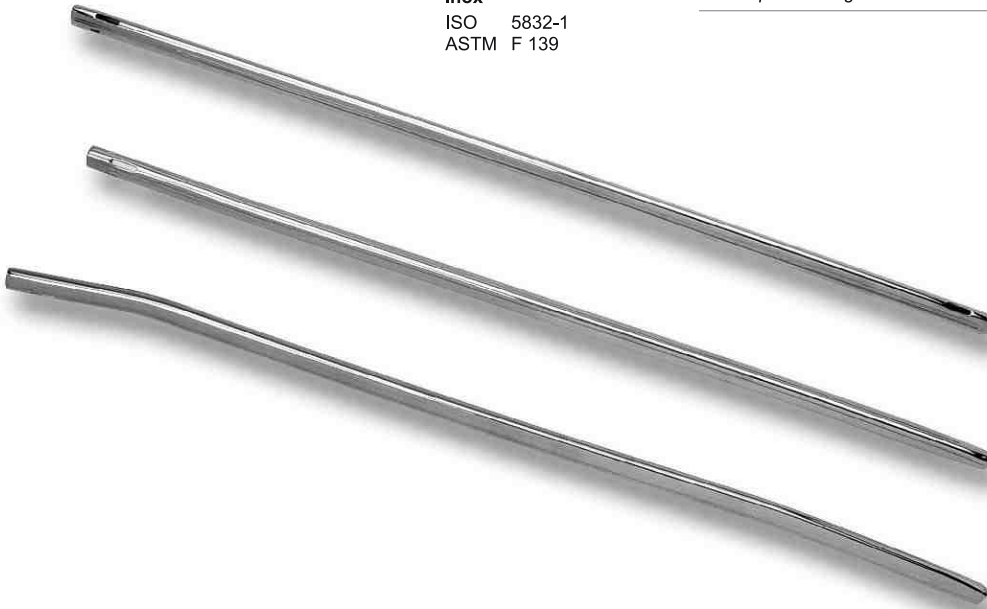
2073	BROCA Ø 4,5 x 150 mm Drill
2362/01	MARTELO 250 Gr. Mallet
2544/01	GUIA PROTETOR Protector Guide
2545	PERFURADOR Perforator
2546/01	MEDIDOR Gauge
2581	EXTRATOR IMPACTOR Extractor Impactor

2646	GUIA DE BROCA Drill Guide
2649	IMPACTOR / EXTRATOR Impactor / Extractor
2650	CHAVE CACHIMBO "T" Wrench
2651	CHAVE SEXTAVADA Ø 3,5 mm Hex Head Screwdriver
2654	BROCA Ø 3,0 x 200 mm Drill

2655	FRESA Reamer
2656	PARAFUSO CONEXÃO Screw Guide
2657	IMPACTOR Impactor
2821	FRESA Ø 7,0 mm Reamer
2648	GUIA DE BROCA Drill Guide

Inox
ISO 5832-1
ASTM F 139

MEDIDAS ESPECIAIS SOB ENCOMENDA
Special Lengths Could Be Ordered



4775 / 4784

PONTA DUPLA E AFIADA
Ground Point and Double Eyes



4796 / 4801

PONTA SIMPLES EM FORMA DE BALA
Conical Point With one eye



4785 / 4790

TIBIAL PONTA BALA
Tibial Ball Point



KUNTSCHER FEMORAL

Femoral Kuntscher Nail

	4775 Ø7mm	4776 Ø8mm	4777 Ø9mm	4778 Ø10mm	4779 Ø11mm	4780 Ø12mm	4781 Ø13mm	4782 Ø14mm	4783 Ø15mm	4784 Ø16mm	COMPR. Length
/01	•	•	•								220
/02	•	•	•								240
/03	•	•	•								260
/04	•	•	•								280
/05	•	•	•								300
/06	•	•	•	•	•	•					320
/07	•	•	•	•	•	•					340
/08	•	•	•	•	•	•	•				360
/09			•	•	•	•	•	•	•	•	380
/10			•	•	•	•	•	•	•	•	400
/11			•	•	•	•	•	•	•	•	420
/12			•	•	•	•	•	•	•	•	440
/13			•	•	•	•	•	•	•	•	460
/14			•	•	•	•	•	•	•	•	480
/15			•	•	•	•	•	•	•	•	500

KUNTSCHER PONTA BALA

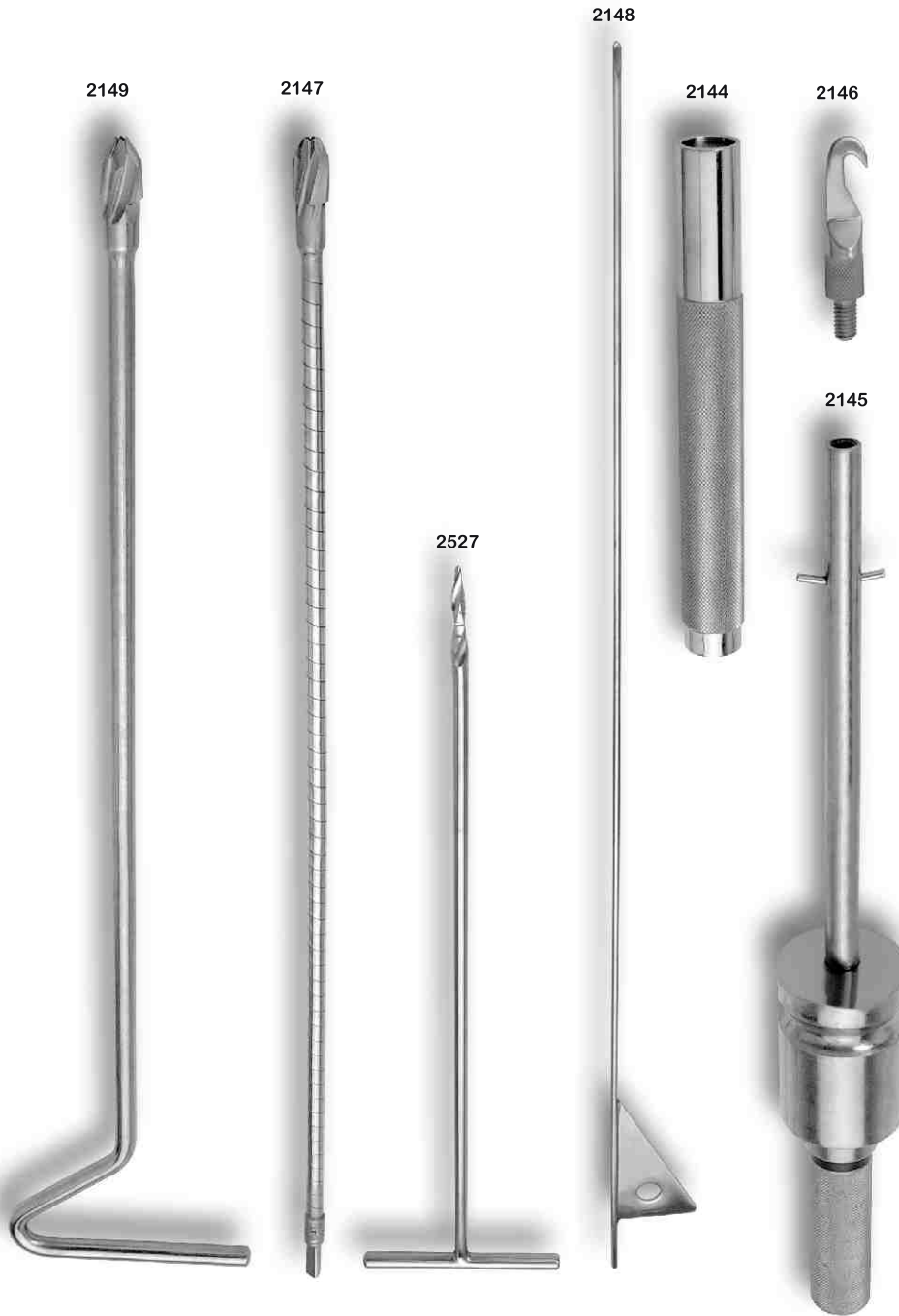
Kuntscher Ball Point

	4796 Ø7mm	4797 Ø8mm	4798 Ø9mm	4799 Ø10mm	4800 Ø11mm	4801 Ø12mm	COMPR. Length
/01	•	•	•	•	•	•	260
/02	•	•	•	•	•	•	280
/03	•	•	•	•	•	•	300
/04	•	•	•	•	•	•	320
/05	•	•	•	•	•	•	340
/06	•	•	•	•	•	•	360
/07	•	•	•	•	•	•	380
/08	•	•	•	•	•	•	400

KUNTSCHER TIBIAL

Tibial Kuntscher

	4785 Ø7mm	4786 Ø8mm	4787 Ø9mm	4788 Ø10mm	4789 Ø11mm	4790 Ø12mm	COMPR. Length
/01	•	•	•	•	•	•	260
/02	•	•	•	•	•	•	280
/03	•	•	•	•	•	•	300
/04	•	•	•	•	•	•	320
/05	•	•	•	•	•	•	340
/06	•	•	•	•	•	•	360
/07	•	•	•	•	•	•	380
/08	•	•	•	•	•	•	400



**FRESA INTRAMEDULAR
FLEXÍVEL 500 mm**
*Intramedular Flexible
Reamer*

REF.	Ø mm
2147/01	7
/02	8
/03	9
/04	10
/05	11
/06	12
/07	13
/08	14
/09	15
/10	16

FRESA RÍGIDA
Rigid Reamer

REF.	Ø mm
2149/01	7
/02	8
/03	9
/04	10
/05	11
/06	12
/07	13
/08	14
/09	15
/10	16

**FRESA MANUAL PARA ABRIR
CAVIDADE MODULAR**
Manual Reamer

REF.	Ø mm
2527/01	7
/02	8
/03	9
/04	10
/05	11

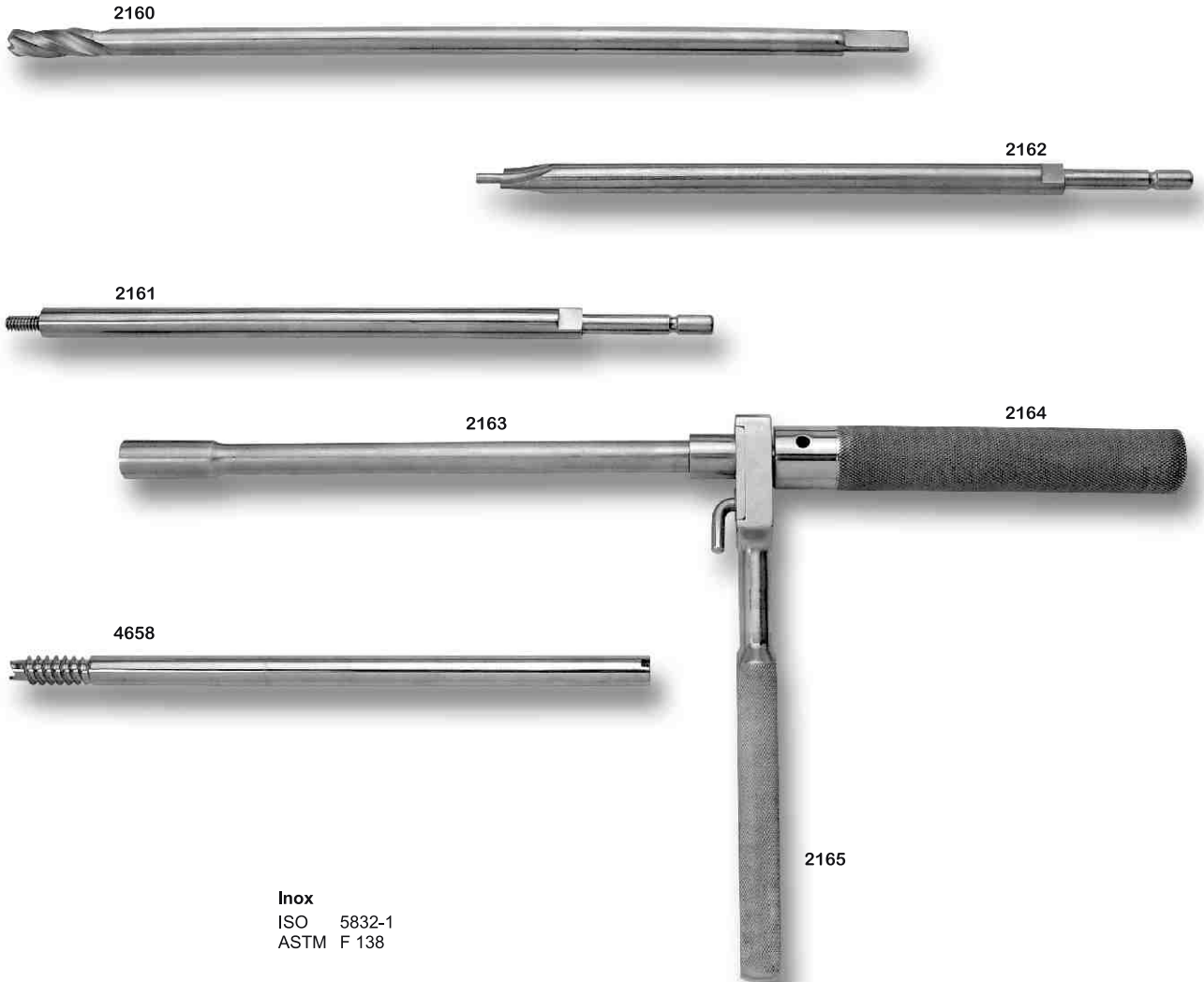
2144 **IMPACTOR**
Impactor

2145 **EXTRATOR**
Extractor

2146 **EXTRATOR PARA PREGO**
Nail Extractor

PINO GUIA
Pin Guide

REF.	Ø mm
2148/01	3
/02	4
/03	5
/04	6



Inox
 ISO 5832-1
 ASTM F 138

2160	FRESA Reamer
2161	EXTRATOR Extractor
2162	IMPACTOR Impactor
2163	GUIA Positioner
2164	CHAVE Wrench
2165	CHAVE CATRACA Ratchet Spanner

PINO PARAFUSO
Nail Screw

REF.	Ø mm	COMPR. Length
4658/01	9	140
/02	9	150
/03	9	160
/04	9	170
/05	9	180
/06	9	190
/07	9	200
/08	9	210
/09	9	220
/10	9	230
/11	9	240

HASTE INTRAMEDULAR TIPO ENDER E INSTRUMENTAL

Ender Type Intramedular Nail and Instruments



4640
6015



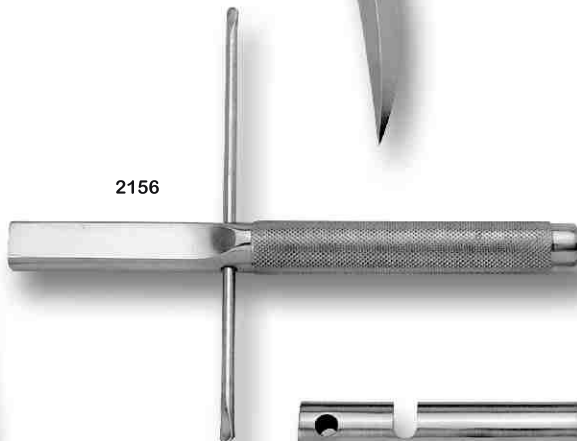
2154



2155



2156



2157



2158



Inox
ISO 5832-1
ASTM F 138

PINO DE ENDER Ø 3,5 mm Ender Pin

REF.	COMPR. Lengths	REF.	COMPR. Lengths
6015/01	150	6015/17	310
/02	160	/18	320
/03	170	/19	330
/04	180	/20	340
/05	190	/21	350
/06	200	/22	360
/07	210	/23	370
/08	220	/24	380
/09	230	/25	390
/10	240	/26	400
/11	250	/27	410
/12	260	/28	420
/13	270	/29	430
/14	280	/30	440
/15	290	/31	450
/16	300	/32	460

PINO DE ENDER Ø 4 mm Ender Pin

REF.	COMPR. Lengths
4640 /01	300
/02	310
/03	320
/04	330
0/05	340
/06	350
/07	360
/08	370
/09	380
/10	390
/11	400
/12	410
/13	420
/14	430
/15	440
/16	450
/17	460
/18	470
/19	480
/20	490

Fabricamos também comprimentos de 150 mm a 290 mm, nos modelos com ou sem furos.

2154/01	PERFURADOR Perforator
2155	EXTRATOR Extractor
2156	IMPACTOR INICIAL Initial Impactor
2157	MODELADOR Bender
2158	IMPACTOR FINAL Final Impactor

STEINMANN

 Inox
ISO 5832-1


		COMPR. 230 mm Length		COMPR. 300 mm Length	
LISO	DIAMANTE	REF.	Ø	REF.	Ø
Plain	Diamond	4680/01	3,5	4680/05	3,5
		/02	4,0	/06	4,0
		/03	4,5	/07	4,5
		/04	5,0	/08	5,0



		COMPR. 230 mm Length		COMPR. 300 mm Length	
LISO	TROCATER	REF.	Ø	REF.	Ø
Plain	Trocar	4684/01	2,5	4684/05	2,5
		/02	3,5	/06	3,5
		/03	4,0	/07	4,0
		/04	5,0	/08	5,0



		COMPR. 230 mm Length		COMPR. 300 mm Length	
ROSQUEADO	TROCATER	REF.	Ø	REF.	Ø
Threaded	Trocar	4688/01	2,5	4688/05	2,5
		/02	3,5	/06	3,5
		/03	4,0	/07	4,0
		/04	5,0	/08	5,0

KIRSCHNER


		COMPR. 230 mm Length		COMPR. 300 mm Length	
LISO	DIAMANTE	REF.	Ø	REF.	Ø
Plain	Diamond	4728/01	1,0	4728/04	1,0
		/02	1,5	/05	1,5
		/03	2,0	/06	2,0
		/09	2,5	/10	2,5



		COMPR. 230 mm Length		COMPR. 300 mm Length	
ROSQUEADO	DIAMANTE	REF.	Ø	REF.	Ø
Threaded	Diamond	4731/01	2,0	4731/02	2,0

Inox
ISO 5832-1
ASTM F 138

4791 / 4794



PINO DE RUSH INTRAMEDULAR
Intramedullary Pins

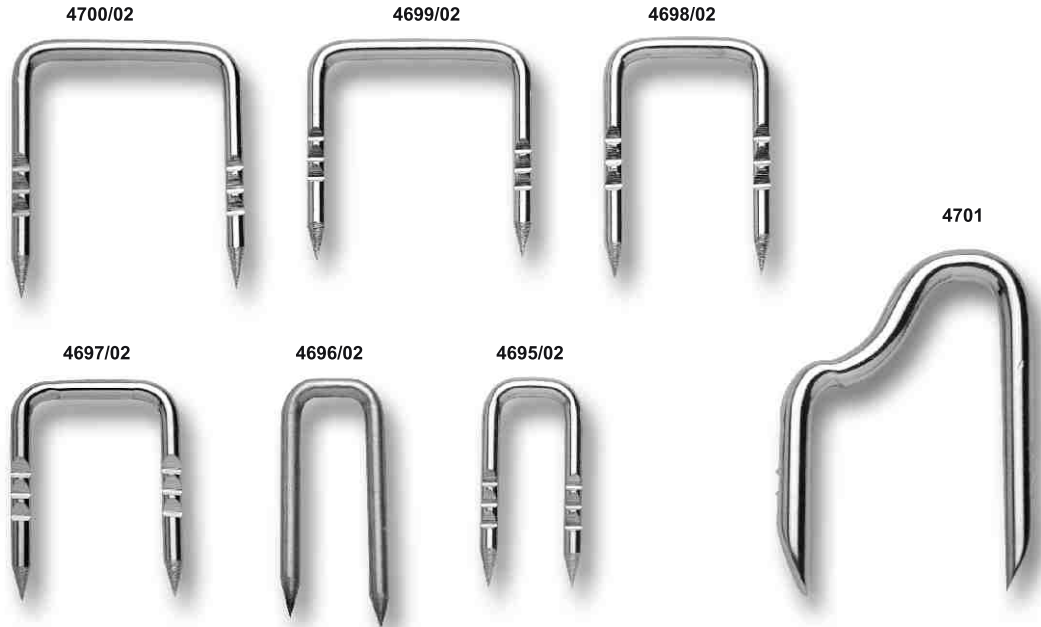
REF.	Ø	REF.	Ø	REF.	Ø	REF.	Ø
4791/01	2,5x25	4792/01	3,2x100	4793/01	4,8x200	4794/01	6,15x280
/02	2,5x30	/02	3,2x110	/02	4,8x210	/02	6,15x290
/03	2,5x35	/03	3,2x120	/03	4,8x220	/03	6,15x300
/04	2,5x40	/04	3,2x130	/04	4,8x230	/04	6,15x310
/05	2,5x45	/05	3,2x140	/05	4,8x240	/05	6,15x320
/06	2,5x50	/06	3,2x150	/06	4,8x250	/06	6,15x330
/07	2,5x55	/07	3,2x160	/07	4,8x260	/07	6,15x340
/08	2,5x60	/08	3,2x170	/08	4,8x270	/08	6,15x350
/09	2,5x65	/09	3,2x180	/09	4,8x280	/09	6,15x360
/10	2,5x70	/10	3,2x190	/10	4,8x290	/10	6,15x370
/11	2,5x75	/11	3,2x200	/11	4,8x300	/11	6,15x380
/12	2,5x80	/12	3,2x210	/12	4,8x310	/12	6,15x390
/13	2,5x85	/13	3,2x220	/13	4,8x320	/13	6,15x400
/14	2,5x90	/14	3,2x230	/14	4,8x330	/14	6,15x410
/15	2,5x95	/15	3,2x240	/15	4,8x340	/15	6,15x420
/16	2,5x100	/16	3,2x250	/16	4,8x350		

4672



FIOS PARA SUTURA
Suture Wires

REF.	Ø mm	METROS
4672/01	0,10	300
/02	0,18	150
/03	0,30	45
/04	0,60	15
/05	1,00	3
/06	1,20	3



Inox
ISO 5832-1
ASTM F 138

GRAMPO TIPO BLOUNT Ø 2,4 mm
Staples Blount Type

REF.	LARGURA Width	ALTURA Heigth
4695	10	18
4696	10	22
4697	16	19
4698	16	22
4699	22	19
4700	22	22

GRAMPO TIPO CONVETRY
Staples Convetry Type

REF.	LARGURA Width	ALTURA Heigth	mm
4701/01	24	33	5,0
/02	24	33	10,0
/03	24	33	15,0

4759	PORCA SEXTAVADA Hexagonal Nut
4760	GANCHO STI (SISTEMA TRANSVERSAL INFINITY) STI Hook (Infinity Transversal System)
4763	CONTRA PARAFUSO Counter Screw
4770	CABEÇA DO PARAFUSO POLIAXIAL Poliaxial Head Screw
4772	PORCA SEXTAVADA PARA POLIAXIAL Hexagonal Nut For Poliaxial

PARAFUSO PEDICULAR Ø 5,5 mm
Pedicular Screw

REF.	mm
4762/01	35
/02	40
/03	45
/04	50

PARAFUSO PEDICULAR Ø 6,5 mm
Pedicular Screw

REF.	mm
4761/01	35
/02	40
/03	45
/04	50

PARAFUSO PEDICULAR Ø 7,5 mm
Pedicular Screw

REF.	mm
4766/01	35
/02	40
/03	45
/04	50

PARAFUSO PARA ESPONDILOLISTESE Ø 5,5 mm
Espindilolistese Screw

REF.	mm
4765/01	35
/02	40
/03	45
/04	50

PARAFUSO PARA ESPONDILOLISTESE Ø 6,5 mm
Espindilolistese Screw

REF.	mm
4764/01	35
/02	40
/03	45
/04	50

Titannium
Ti 6AL 4v Eli
ISO 5832-3
ASTM F. 136

HASTE Ø 4,0 mm
Rod

REF.	mm
4758/01	50
/02	70
/03	90

HASTE Ø 5,5 mm
Rod

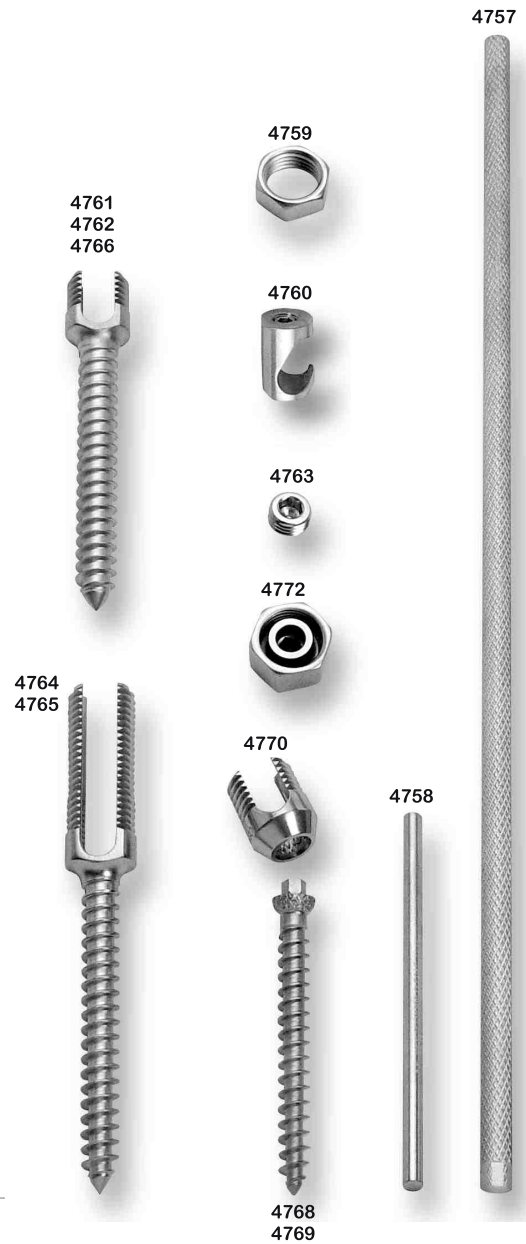
REF.	mm
4757/01	40
/02	60
/03	80
/04	90
/05	100
/06	110
/07	120
/08	130
/09	140
/10	150
/11	160
/12	170
/13	180
/14	190
/15	200
/16	220
/17	240

PARAFUSO POLIAXIAL Ø 5,5 mm
Poliaxial Screw

REF.	mm
4768/01	35
/02	40
/03	45
/04	50

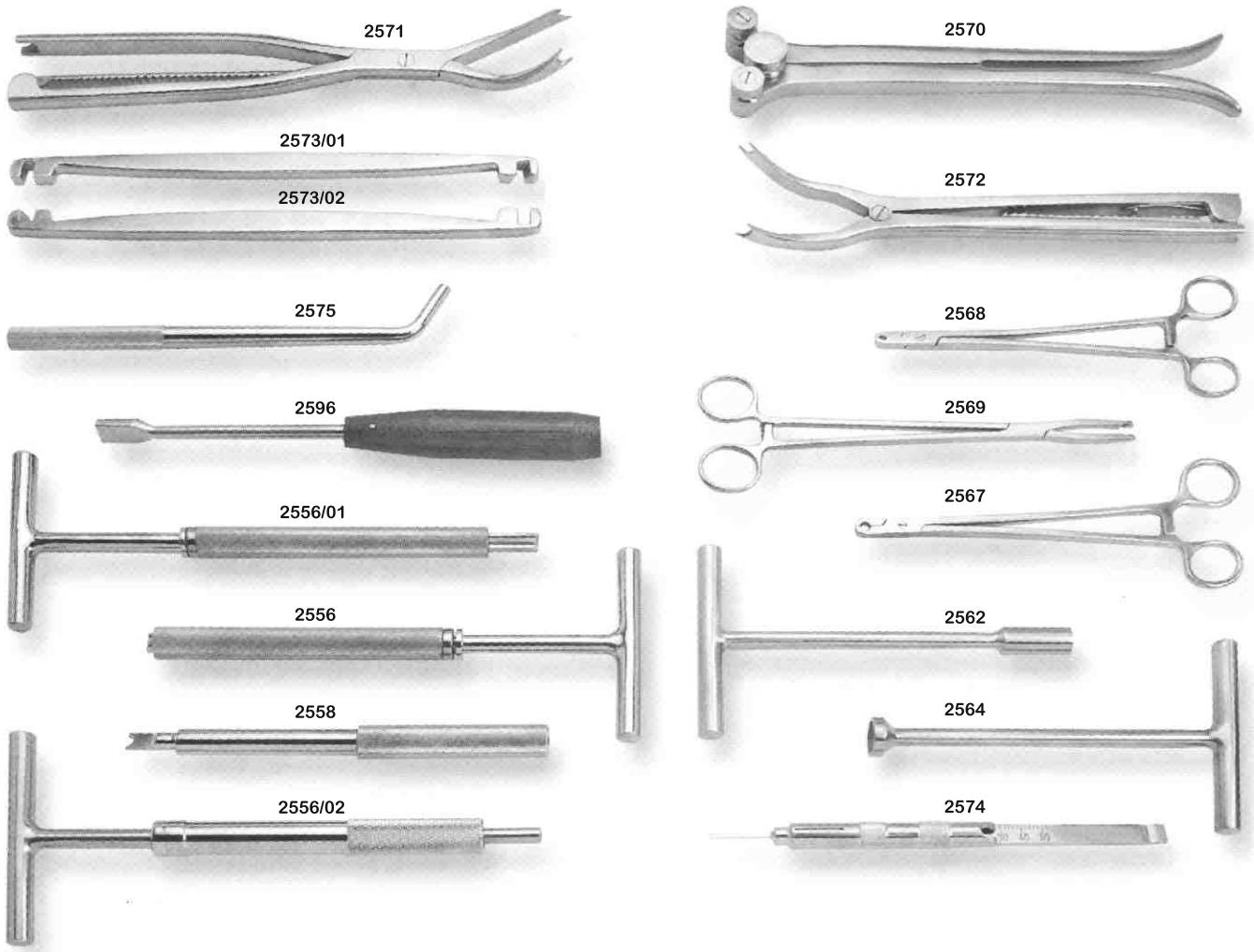
PARAFUSO POLIAXIAL Ø 6,5 mm
Poliaxial Screw

REF.	mm
4769/01	35
/02	40
/03	45
/04	50



INSTRUMENTAL SISTEMA DE COLUNA INFINITY

Infinity Spinal System Instruments



2556 CHAVE GUIA INICIAL
Initial Guide Wrench

2556/01 CHAVE GUIA INICIAL PARA ESPONDILOLISTESE
Initial Guide Wrench for Espondilolistese

2556/02 CHAVE GUIA INICIAL PARA POLIAXIAL
Initial Guide Wrench For Poliaxial

2558 GUIA DA HASTE
Stem Positoner

2562 CHAVE GUIA
Guide Wrench

2564 CHAVE "T"
Driver Wrench "T"

2567 PINÇA PARA HASTE 5,5 mm
Stem Clamp

2568 PINÇA PARA HASTE 4,0 mm
Stem Clamp

2569 PINÇA PARA GANCHO STI
STI Hook Clamp

2570 MODELADOR DE HASTE
Stem Bender

2571 PINÇA COMPRESSORA
Compressing Clamp

2572 PINÇA DISTRATORA
Distractor Clamp

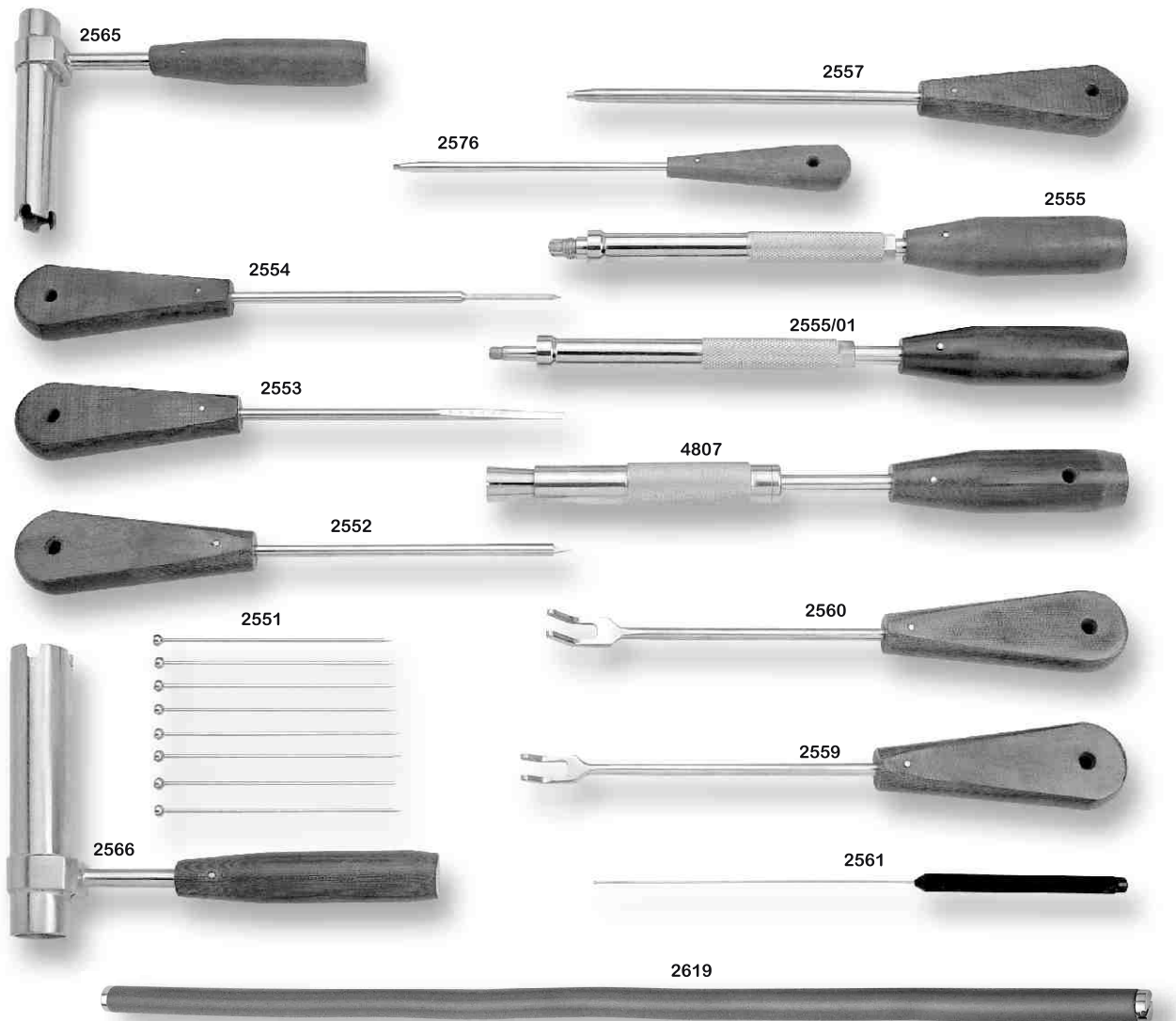
2573/01 MODELADOR DIREITO
Right Bender

2573/02 MODELADOR ESQUERDO
Left Bender

2574 MEDIDOR
Gauge

2575 CHAVE POSICIONADORA DA HASTE
Stem Positioner Wrench

2596 CHAVE DE CORTE
Cutting Wrench



2551	MEDIDOR PINO Trial Pin	2551	MEDIDOR Gauge	2559	GUIA LONGO PARA HASTE Ø 5,5 mm Long Stem Introducer
2552	PERFURADOR INICIAL Initial Punch	2552	FRESA Reamer	2560	GUIA CURTO PARA HASTE Ø 5,5 mm Short Stem Introducer
2553	MEDIDOR Gauge	2553	FRESA Reamer	2561	GUIA APALPADOR Touching
2554	FRESA Reamer	2554	FRESA Reamer	2565	GUIA DA CHAVE POSICIONADORA Positioner Driver
2555	GUIA DE ALINHAMENTO DA PORCA Aligment Guide Nut	2555/01	GUIA DE ALINHAMENTO DA PORCA PARA ESPONDILOLISTESE Aligment Guide Nut For Espondilolistese	2566	GUIA DA CHAVE SEXTAVADA Hexagonal Wrench Guide
2557	CHAVE SEXTAVADA Hexagonal Wrench	2557	CHAVE SEXTAVADA Hexagonal Wrench	2576	CHAVE SEXTAVADA PARA GANCHO STI Hook STI Hexagonal Wrench
2565	GUIA DA CHAVE POSICIONADORA Positioner Driver	2565	GUIA DA CHAVE POSICIONADORA Positioner Driver	4807	CHAVE GUIA DA PORCA POLIAXIAL Guide Wrench Of The Poliaxial Nut
2566	GUIA DA CHAVE SEXTAVADA Hexagonal Wrench Guide	2566	GUIA DA CHAVE SEXTAVADA Hexagonal Wrench Guide		
2561	GUIA APALPADOR Touching	2561	GUIA APALPADOR Touching		
2560	GUIA CURTO PARA HASTE Ø 5,5 mm Short Stem Introducer	2560	GUIA CURTO PARA HASTE Ø 5,5 mm Short Stem Introducer		
2559	GUIA LONGO PARA HASTE Ø 5,5 mm Long Stem Introducer	2559	GUIA LONGO PARA HASTE Ø 5,5 mm Long Stem Introducer		
2576	CHAVE SEXTAVADA PARA GANCHO STI Hook STI Hexagonal Wrench	2576	CHAVE SEXTAVADA PARA GANCHO STI Hook STI Hexagonal Wrench		
4807	CHAVE GUIA DA PORCA POLIAXIAL Guide Wrench Of The Poliaxial Nut	4807	CHAVE GUIA DA PORCA POLIAXIAL Guide Wrench Of The Poliaxial Nut		
2619	GUIA BARRA MALEÁVEL Flexible Molding Rod	2619	GUIA BARRA MALEÁVEL Flexible Molding Rod		
		REF.	COMPR.		
		2619/01	50		
		/02	70		
		/03	100		
		/04	150		
		/05	200		
		/06	250		
		/07	300		
		/08	350		
		/09	400		
		/10	420		

SISTEMA DE COLUNA EVOLUTION PLUS

Evolution Plus Spinal System



CROSS LINK MONTADO

Mounted Cross Link

REF.	mm
4903/01	35
/02	40
/03	45
/04	50
/05	55
/06	60
/07	65
/08	70
/09	75
/10	80

4813 **CONTRA PARAFUSO**
Counter Screw

4760 **GANCHO STI**
STI Hook

PARAFUSO PARA ESPONDILOLISTESE Ø 5,5 mm

Espondilolistese Screw

REF.	mm
4834/01	35
/02	40
/03	45
/04	50

PARAFUSO PARA ESPONDILOLISTESE Ø 6,5 mm

Espondilolistese Screw

REF.	mm
4836/01	35
/02	40
/03	45
/04	50

HASTE Ø 4,0 mm

Rod

REF.	mm
4758/01	50
/02	70
/03	90

HASTE Ø 5,8 mm

Rod

REF.	mm
4820/01	40
/02	50
/03	60
/04	70
/05	80
/06	90
/07	100
/08	110
/09	120
/10	130
/11	140
/12	150
/13	160
/14	170
/15	180
/16	190
/17	200
/18	210
/19	220
/20	240

PARAFUSO PEDICULAR Ø 4,5 mm

Pedicular Screw

REF.	Compr. / mm
4809/01	20
/02	25
/03	30

PARAFUSO PEDICULAR Ø 5,5 mm

Pedicular Screw

REF.	Compr. / mm
4810/01	35
/02	40
/03	45
/04	50

PARAFUSO PEDICULAR Ø 6,5 mm

Pedicular Screw

REF.	Compr. / mm
4811/01	35
/02	40
/03	45
/04	50

PARAFUSO PEDICULAR Ø 7,5 mm

Pedicular Screw

REF.	Compr. / mm
4812/01	35
/02	40
/03	45
/04	50

Titanium
Ti 6AL 4v ELI
ISO 5832-3
ASTM F. 136

4760



4809 4810
4811 4812



4813



4834
4836

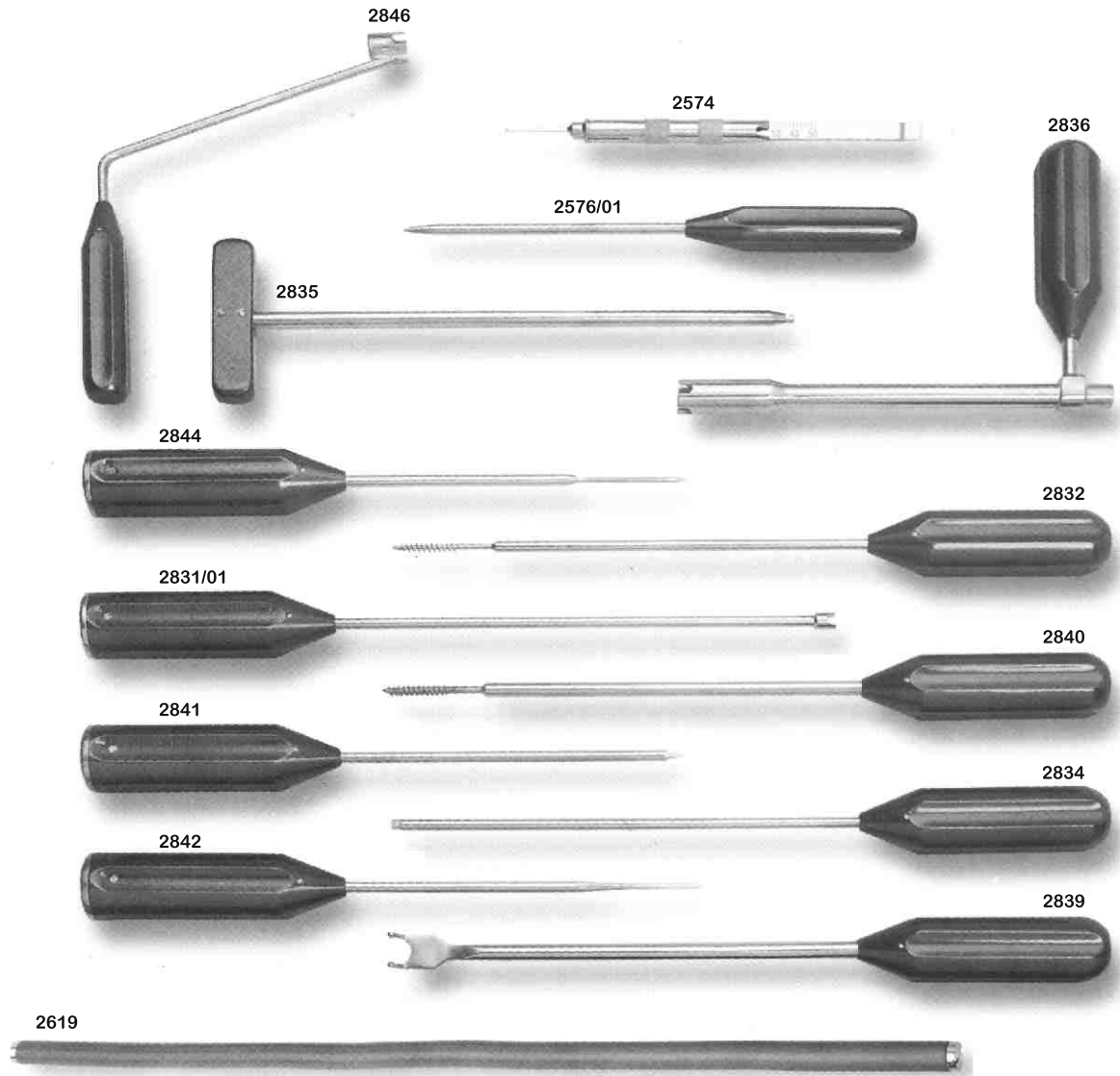


4955
4867
4868



4820





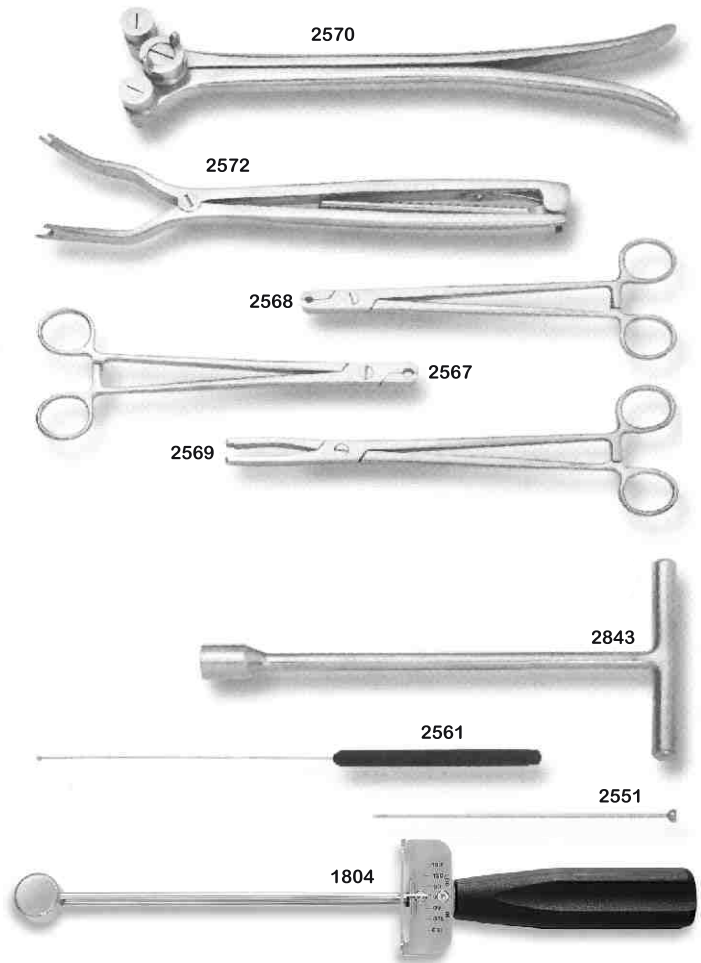
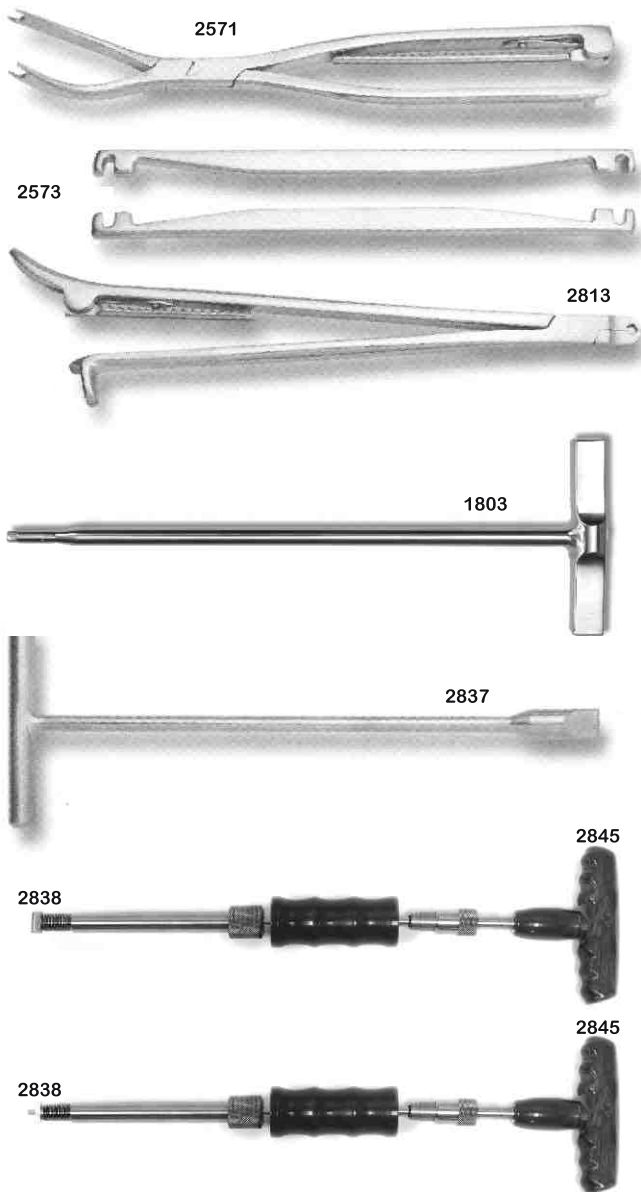
2836	CHAVE CONTRA TORQUE Counter Torque Wrench
2839	CHAVE REDUTORA Reducing Wrench
2840	FRESA MACHO DE Ø 6,5 mm Tap Reamer
2841	PERFURADOR PONTA QUADRADA Perforator With Squared Extrimity
2842	MEDIDOR Gauge
2844	FRESA PONTA QUADRADA Reamer With Squared Extrimity
2846	GUIA PROTETOR Protector Guide

2574	MEDIDOR Gauge
2576/01	CHAVE SEXTAVADA Hexagonal Wrench
2831/01	GUIA REBAIXADOR DA HASTE Rod Reduction Guide
2832	FRESA MACHO Ø 5,5 mm Tap Reamer
2834	CHAVE HEXAGONAL Ø 5 mm Hexagonal Wrench
2835	CHAVE "T" SEXTAVADA Ø 5 mm "T" Hexagonal Wrench

GUIA BARRA MALEÁVEL Flexible Molding Rod	
REF.	COMPR.
2619/01	50
/02	70
/03	100
/04	150
/05	200
/06	250
/07	300
/08	350
/09	400
/10	420

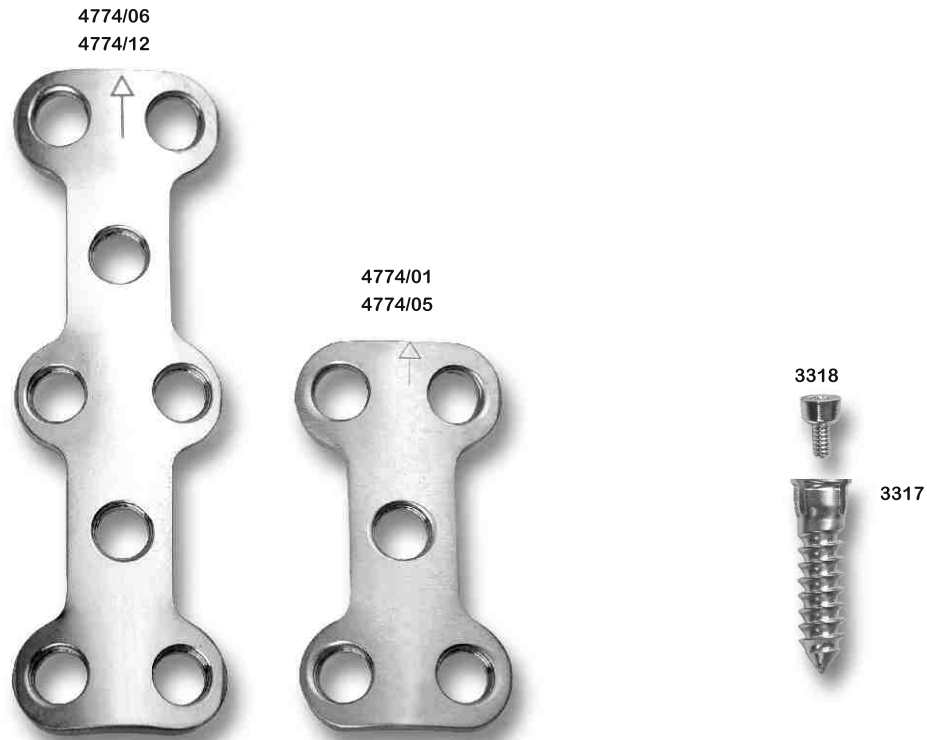
INSTRUMENTAL DE COLUNA EVOLUTION PLUS

Evolution Plus Spinal Instruments



1803	CHAVE PARA TORQUIMETRO Wrench for Dynamometer
1804	TORQUIMETRO Dynamometer
2551	MEDIDOR PINO Pin Trial
2561	GUIA APALPADOR Touching
2567	PINÇA PARA HASTE Ø 5,8 mm Stem Clamp
2568	PINÇA PARA HASTE Ø 4,0 mm Stem Clamp
2569	PINÇA PARA GANCHO STI STI Hook Clamp
2570	MODELADOR DA HASTE Stem Bender

2571	PINÇA COMPRESSORA Compressing Clamp
2572	PINÇA DISTRATORA Distractor Clamp
2573/01	MODELADOR DIREITO Right Bender
2573/02	MODELADOR ESQUERDO Left Bender
2813	PINÇA PORTA HASTE Rod Forceps
2837	CHAVE POSICIONADORA Positioner Wrench Guide
2843	CHAVE DE RUPTURA Rupture Wrench
2838/01	CHAVE P/ PARAFUSO MONOAXIAL Monoaxial Screw Wrench
2838/02	CHAVE P/ PARAFUSO POLIAXIAL Poliaxial Screw Wrench
2845/01	GUIA DO PARAFUSO Screw Guide
2845/02	MANOPLA Handle
2845/03	CABO EM "T" C/ ENGATE RÁPIDO Fast Assembly "T" Handle



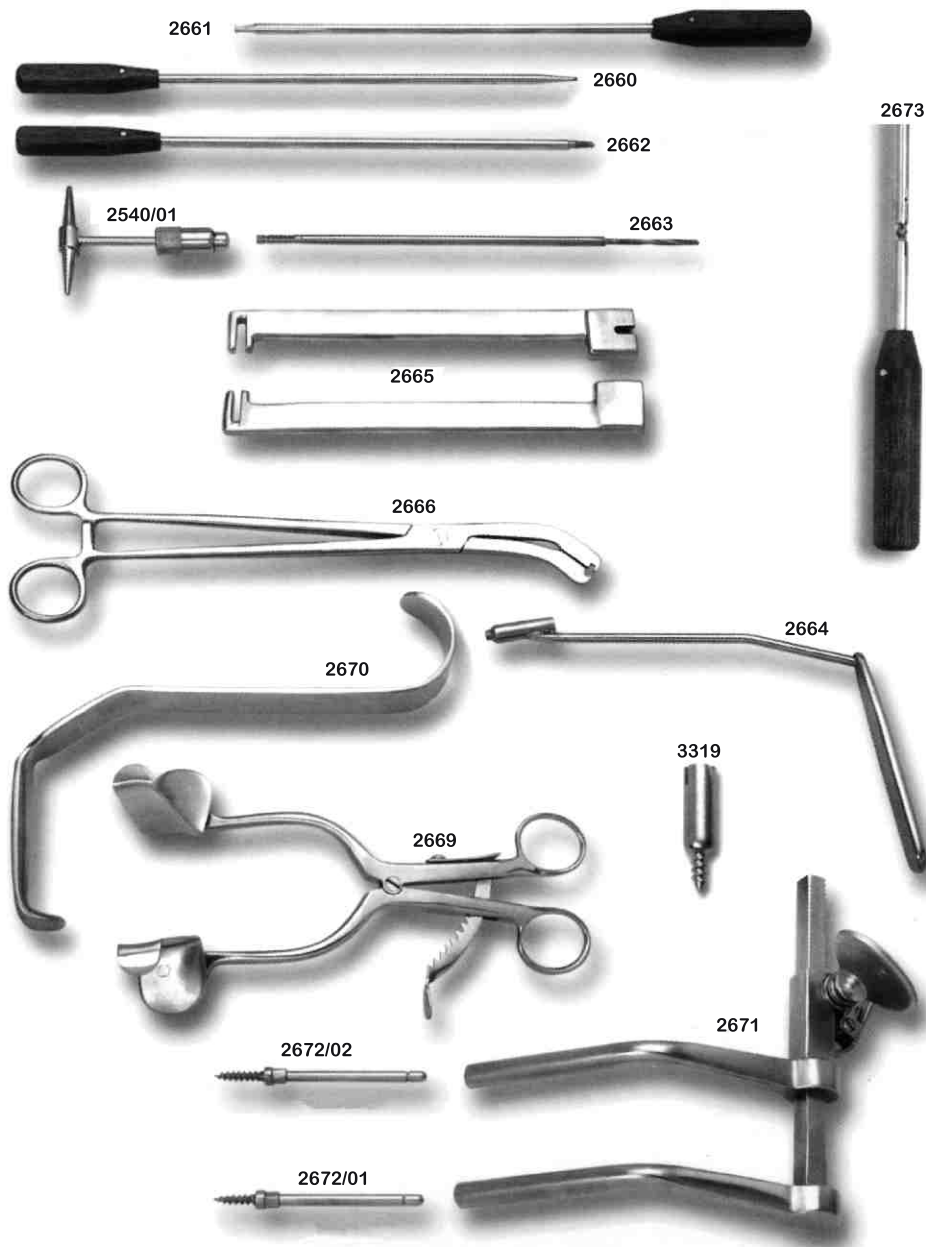
Titannium
Ti 6AL 4v Eji
ISO 5832-3
ASTM F. 136

3317/01	PARAFUSO EXPANSIVO Ø 4,0 x 14 mm Espansive Screw
3317/02	PARAFUSO EXPANSIVO Ø 4,0 x 16 mm Espansive Screw
3317/03	PARAFUSO EXPANSIVO Ø 4,0 x 18 mm Espansive Screw
3317/04	PARAFUSO EXPANSIVO Ø 4,0 x 20 mm Espansive Screw
3318	PARAFUSO DE BLOQUEIO Ø 1,8 mm Locking Screw

PLACA CERVICAL Cervical Plate		
REF.	mm	PARES DE FUROS Holes
4774/01	25	2
/02	30	2
/03	35	2
/04	40	2
/05	45	2
/06	50	3
/07	55	3
/08	60	3
/09	65	3
/10	70	3
/11	75	3
/12	80	3

INSTRUMENTAL PARA PLACAS CERVICAL

Cervical Plates Instruments

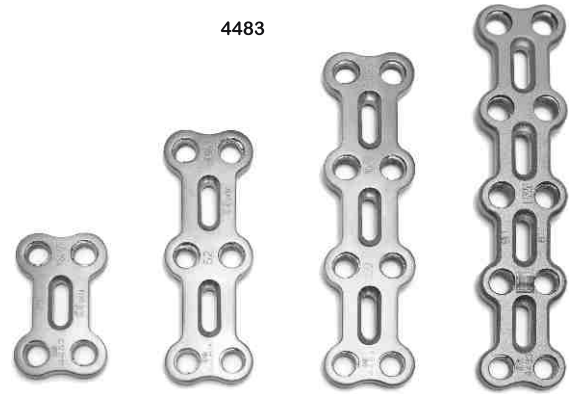


2540/01	CHAVE "T" "T" Wrench
2660	CHAVE SEXTAVADA Hexagonal Wrench
2661	CHAVE EM CRUZ Cross Wrench
2662	FRESA Reamer
2663	BROCA COM LIMITADOR Stop Drill
2664	GUIA DE BROCA DE Ø 16 mm Drill Guide
2665	MODELADOR DE PLACAS Plate Blender
2666	PINÇA PORTA PLACA Plate Holder Clamp

2669	AFASTADOR COM 2 BANDEIRAS Retractor
2670	AFASTADOR ANGULADO (PAR) Angled Retractor
2671	AFASTADOR DE CORPO VERTEBRAL Vertebral Body Retractor
2672/01	GUIA PARAFUSO DE FIXAÇÃO Ø 13 mm Screw Fixation Guide
2672/02	GUIA PARAFUSO DE FIXAÇÃO Ø 16 mm Screw Fixation Guide
2673	CHAVE APLICADORA Assembly Support Wrench
3319	GUIA PARAFUSO Screw Guide

PLACA CERVICAL
Cervical Plate

REF.	FUROS Holes	COMPR. mm Length
4483/01	4	29
/02	6	33
/03	6	37
/04	6	41
/05	6	46
/06	6	49
/07	6	52
/08	6	55
/09	8	57
/10	8	63
/11	8	69
/12	10	73
/13	10	77
/14	10	81
/15	10	85
/16	10	89



Titannium
Ti 6AL 4v Eli
ISO 5832-3
ASTM F. 136

PARAFUSO AUTOTRAVANTE Ø 4mm
Self Lock Screw

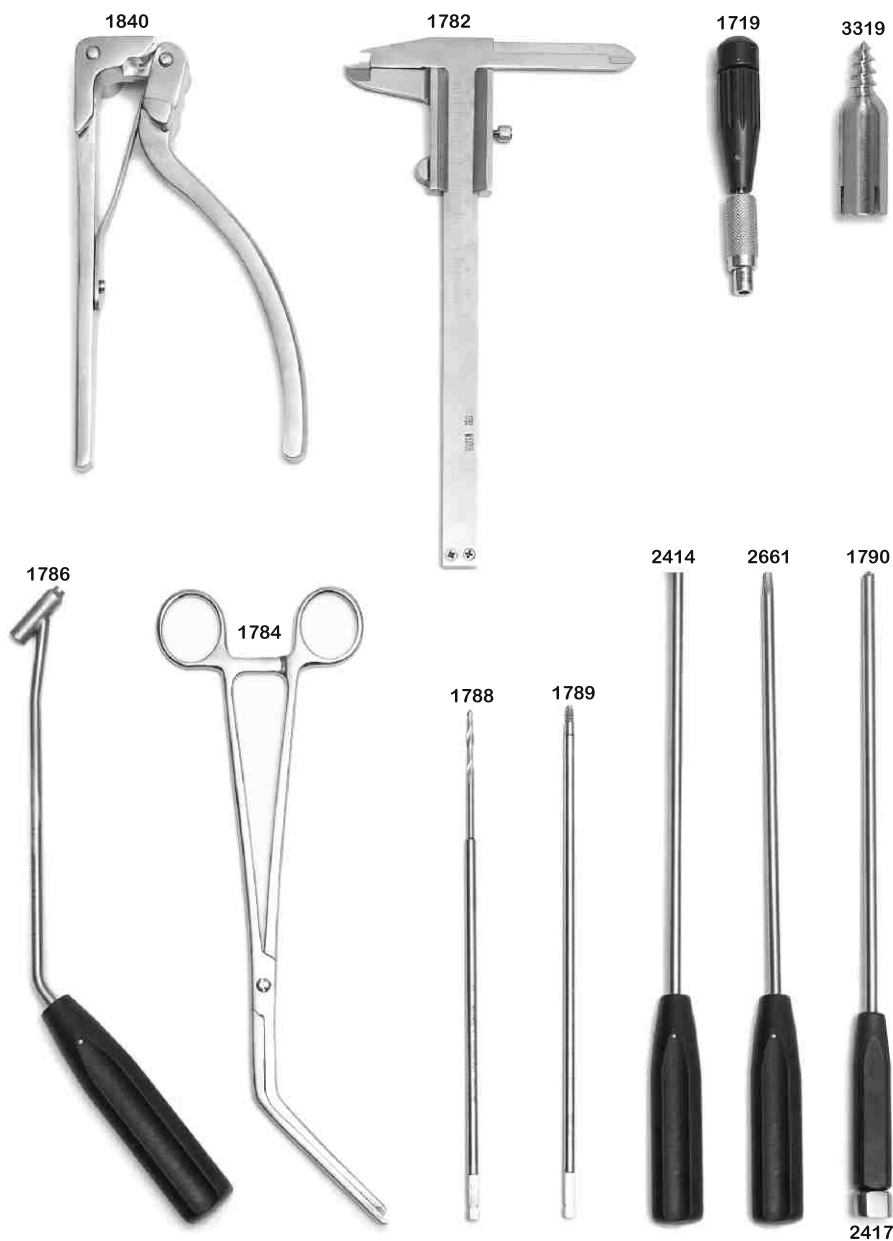
REF.	COMPR. mm Length
4484/01	14
/02	16
/03	18
/04	20
/05	22



PARAFUSO AUTOTRAVANTE Ø 4,5mm
Self Lock Screw

REF.	COMPR. mm Length
4485/01	14
/02	16
/03	18
/04	20
/05	22





1719	CABO COM ENGATE RÁPIDO Fast Connection Handle	1840	MODELADOR E RETORCEDOR DE PLACAS Bending Iron For Plates
1782	MEDIDOR DE ESPAÇO VERTEBRAL Vertebral Space Gauge	2414	CHAVE INTRODUTORA Introduction Wrench
1784	PINÇA PORTA PLACA Plate Hol Forcep	2417	CHAVE EXTRATORA Extractor Wrench
1786	GUIA DE BROCA Drill Guide	2661	CHAVE EM CRUZ Cross Wrench
1788	BROCA Ø 2,9 x 10/12/14/16/18/20/22mm Drill	3319	PARAFUSO PROVISÓRIO DE FIXAÇÃO Provisory Fixation Screw
1789	FRESA MACHO Tap		
1790	CHAVE EXTRATORA PARA REVISÃO Revision Extractor Wrench		



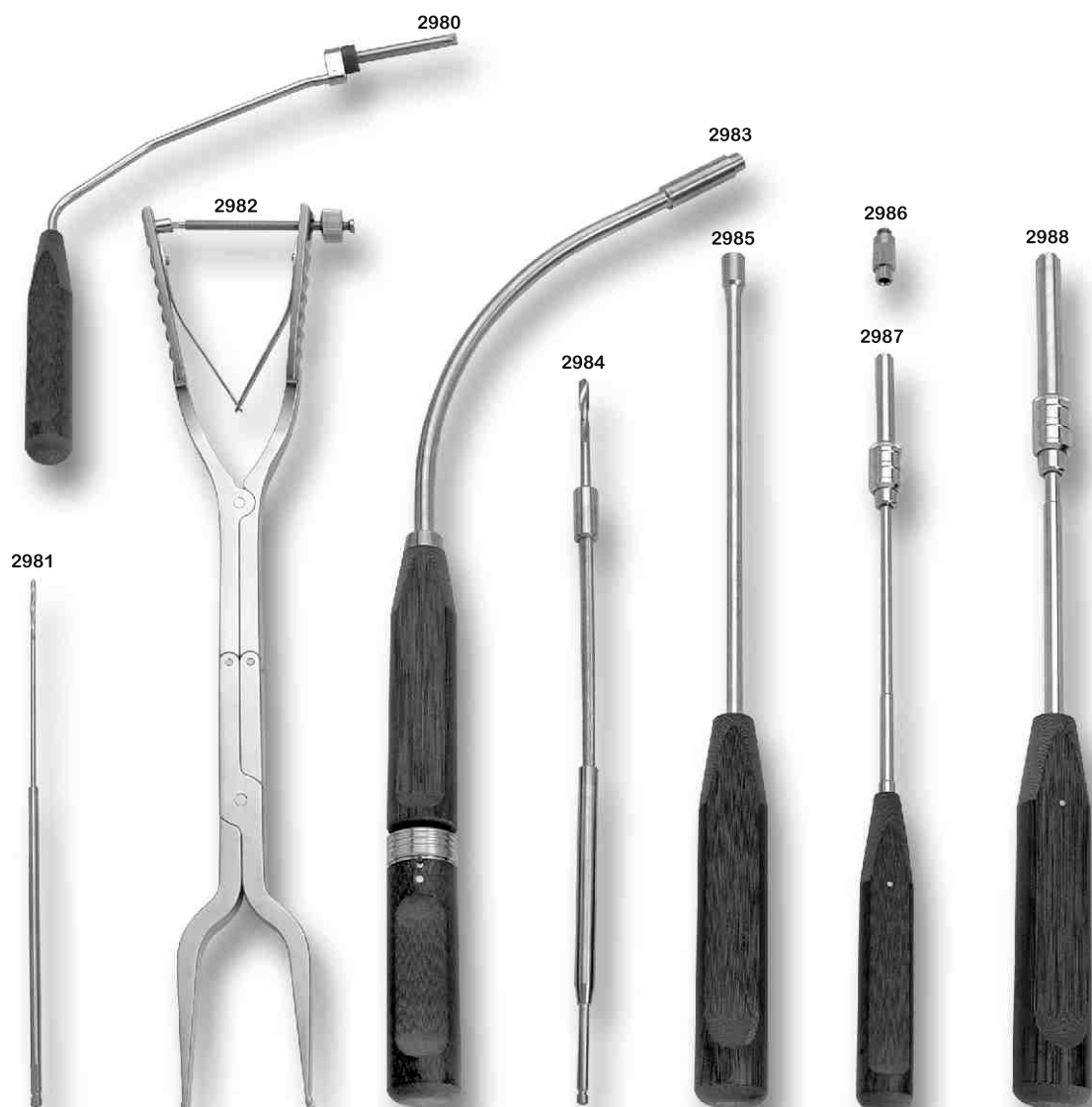
Titanium
Ti 6AL 4v Eli
ISO 5832-3
ASTM F. 136

PARAFUSO PARA PLACA TORACOLOMBAR
Screw For Thoracolumbar Plate

REF.	Ø mm
4952	4 x 30
4953/01	7,5 x 30
/02	7,5 x 35
/03	7,5 x 40
/04	7,5 x 45
/05	7,5 x 50
/06	7,5 x 55

PLACA TORACOLOMBAR
Thoracolumbar Plate

REF.	mm
4950/01	57
/02	63
/03	67
/04	70
/05	76
/06	82
/07	87
/08	93
/09	99
/10	103
/11	108
/12	113
/13	118
/14	123
/15	128
/16	138
/17	148



2980 *GUIA DE BROCA Ø 2,5 mm*
Drill Guide

2981 *BROCA Ø 2,5 mm*
Drill

2982 *PINÇA DISTRATORA*
Distractor Forceps

2983 *GUIA DE PLACA LONGO*
Long Plate Guide

2984 *BROCA FLEXÍVEL Ø 5 mm*
Flexible Drill

2985 *CHAVE DO APLICADOR*
Screw Insert Wrench

2986 *GUIA DE BROCA Ø 5 mm*
Drill Guide

2987 *CHAVE SEXTAVADA CURTA*
Hexagonal Wrench Short

2988 *CHAVE SEXTAVADA LONGA*
Long Hexagonal Wrench



Titanium
Ti 6AL 4v Eli
ISO 5832-3
ASTM F. 136

4729	GANCHO LAMINAR DIREITO Right Laminar Hook
4730	GANCHO PEDICULAR Pedicular Hook
4737	GANCHO LAMINAR PEQUENO Small Laminar Hook
4738	GANCHO LAMINAR MÉDIO Medium Laminar Hook
4739	GANCHO LAMINAR GRANDE Large Laminar Hook
4740	GANCHO LAMINAR ESQUERDO Left Laminar Hook
4759	PORCA SEXTAVADA Hexagonal Nut
4763	CONTRA PARAFUSO Counter Screw
4901/01	GANCHO LAMINAR PARA REDUÇÃO DE ESCOLIOSE Laminar Hook For Reduction Of Scoliosis
4901/03	GANCHO PEDICULAR MÉDIO PARA REDUÇÃO DE ESCOLIOSE Medium Pedicular Hook For Reduction Of Scoliosis

HASTE Ø 5,8 mm
Rod

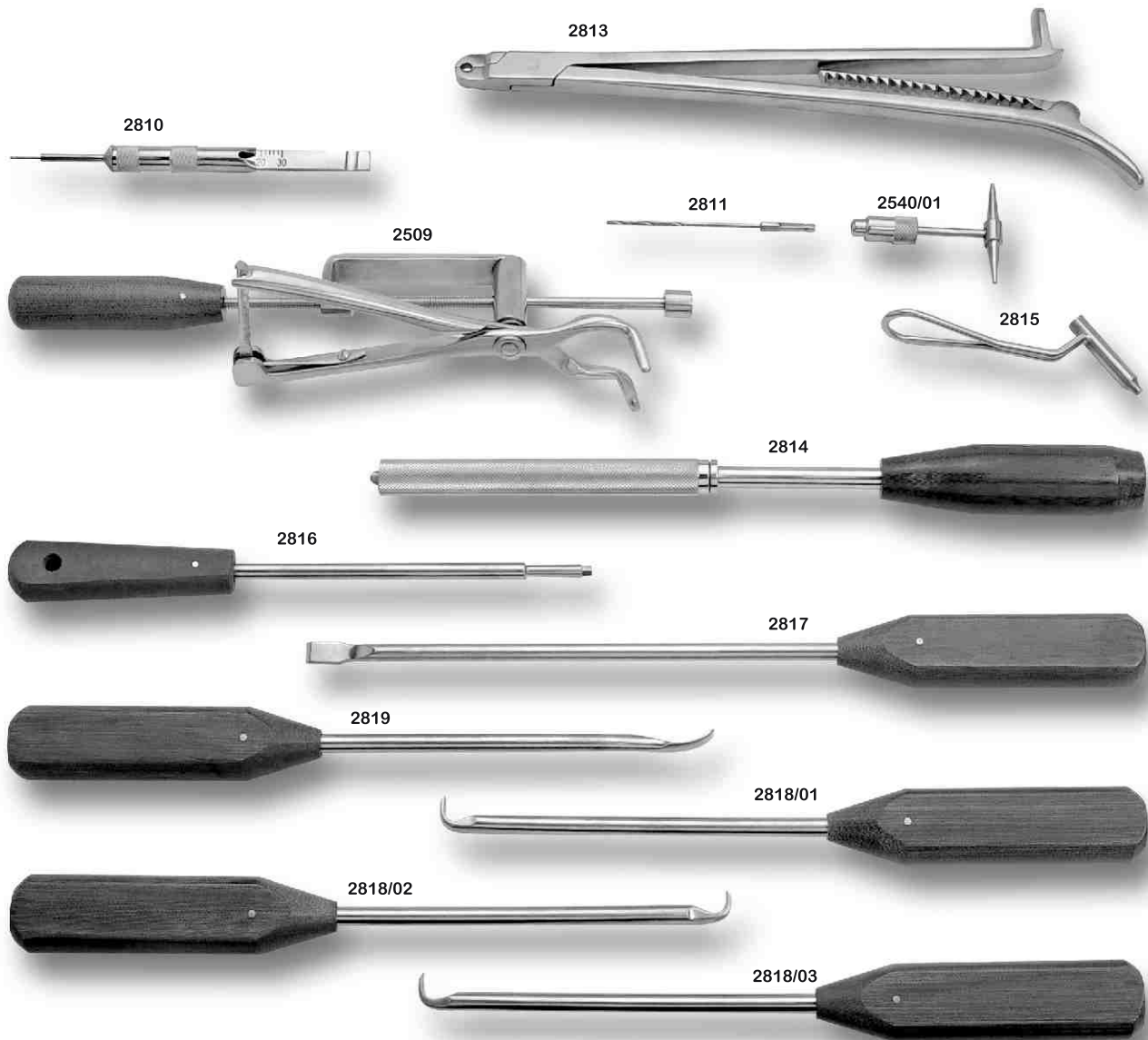
REF.	
4757/24	300
/25	350
/19	400
/26	450
/27	500

PARAFUSO DE BLOQUEIO PARA GANCHO PEDICULAR
Locking Screw For Pedicular Hook

REF.	mm
4803/01	20
/02	25
/03	30

INSTRUMENTAL DE GANCHO INFINITY PARA ESCOLIOSE

Infinity Hook For Scoliosis Instruments



2816	IMPACTOR PARA GANCHO PEDICULAR Pedicular Hook Impactor
2817	OSTEÓTOMO RETO Straight Chisel
2818/01	OSTEÓTOMO PARA GANCHO P Chisel For Small Hook
2818/02	OSTEÓTOMO PARA GANCHO M Chisel For Medium Hook
2818/03	OSTEÓTOMO PARA GANCHO G Chisel for Large Hook
2819	OSTEÓTOMO PARA GANCHO PEDICULAR Chisel For Pedicular Hook
2509	PINÇA DE COMPRESSÃO Compression Forceps

2540/01	CHAVE EM "T" "T" Wrench
2810	MEDIDOR PARA GANCHO PEDICULAR Pedicular Hook Gauge
2811	BROCA Ø 2,0 mm Drill
2813	PINÇA PORTA HASTE Ø 5,8 mm Rod Forceps
2814	GUIA DO GANCHO PEDICULAR Pedicular Hook Posihouer
2815	GUIA DE BROCA Ø 2,0 mm Drill Guide



4820



Titanium
Ti 6AL 4v ELi
ISO 5832-3
ASTM F. 136



PARAFUSO DE BLOQUEIO PARA GANCHO PEDICULAR
Locking Screw For Pedicular Hook

REF.	mm
4803/01	20
/02	25
/03	30

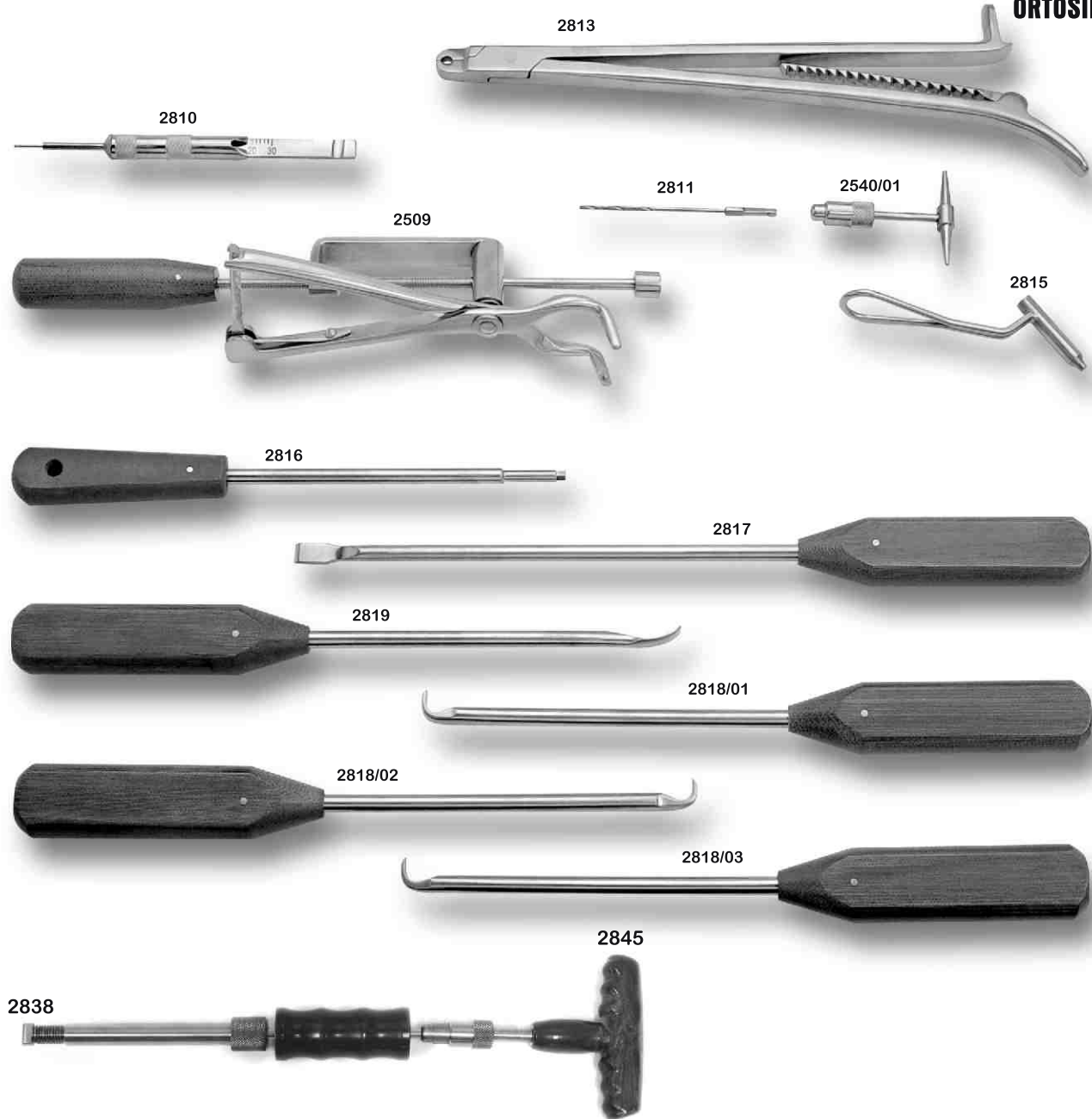
HASTE Ø 5,8 mm
Rod

REF.	mm
4820/01	300
/02	350
/03	400
/04	450
/05	500

4813	CONTRA PARAFUSO <i>Counter Screw</i>
4847	GANCHO PEDICULAR <i>Pedicular Hook</i>
4848	GANCHO LAMINAR PEQUENO <i>Small Laminar Hook</i>
4849	GANCHO LAMINAR MÉDIO <i>Medium Laminar Hook</i>
4851	GANCHO LAMINAR DIREITO <i>Right Laminar Hook</i>
4852	GANCHO LAMINAR ESQUERDO <i>Left Laminar Hook</i>
4853	GANCHO LAMINAR GRANDE <i>Large Laminar Hook</i>
4900/01	GANCHO LAMINAR PARA REDUÇÃO DE ESCOLIOSE <i>Laminar Hook For Reduction Of Scoliosis</i>
4900/03	GANCHO PEDICULAR MÉDIO PARA REDUÇÃO DE ESCOLIOSE <i>Medium Pedicular Hook For Reduction Of Scoliosis</i>

INSTRUMENTAL DE GANCHO EVOLUTION PLUS PARA ESCOLIOSE

Evolution Scoliosis Hook Instruments



2509	<i>PINÇA DE COMPRESSÃO</i> Compression Forceps
2810	<i>MEDIDOR PARA GANCHO PEDICULAR</i> Depth Gauge
2811	<i>BROCA Ø 2,0 mm</i> Drill
2813	<i>PINÇA PORTA HASTE Ø 6,0 mm (PAR)</i> Rod Forceps
2815	<i>GUIA DE BROCA Ø 2,0 mm</i> Drill Guide
2816	<i>IMPACTOR PARA GANCHO PEDICULAR</i> Pedicular Hook Impactor
2817	<i>OSTEÓTOMO RETO</i> Straight Chisel
2818/01	<i>OSTEÓTOMO PARA GANCHO P</i> Small Chisel For Hook

2818/02	<i>OSTEÓTOMO PARA GANCHO M</i> Medium Chisel For Hook
2818/03	<i>OSTEÓTOMO PARA GANCHO G</i> Large Chisel For Hook
2819	<i>OSTEÓTOMO PARA GANCHO PEDICULAR</i> Chisel For Pedicular Hook
2838	<i>CHAVE GUIA INICIAL</i> Initial Guide Wrench
2540/01	<i>CHAVE EM "T"</i> "T" Wrench
2845/01	<i>GUIA DO PARAFUSO</i> Screw Guide
2845/02	<i>MANOPLA</i> Handle
2845/03	<i>CABO EM "T" C/ ENGATE RÁPIDO</i> Fast Assembly "T" Handle

4719



4724



4720



4723



4721



4722



INOX
ISO 5832-1
ASTM F 138

4718



GANCHO "TIPO MOE" SACRO – ALAR

"Moe Type" Sacro – Alar Hook

4719	GANCHO "TIPO MOE" FURO QUADRADO "Moe Type" Square Hole Hook
4720	ROMBO FURO QUADRADO Blunt Square Hole
4721	AFIADO FURO REDONDO Sharp Round Hole
4722	ROMBO FURO REDONDO Blunt Round Hole
4723	GANCHO ZIELKE ROMBO Blunt Zielke Hook
4724	GANCHO ZIELKE AFIADO Sharp Zielke Hook

HASTE DISTRATORA

Distraction Rods
EXTREMIDADE QUADRADA
Moe Square End (Type)

REF.	H	L
	mm	mm
4718/01	12,7	106
/02	25,4	118
/03	38,1	131
/04	50,8	144
/05	63,5	156
/06	76,2	169
/07	88,9	182
/08	101,3	195
/09	114,0	207
/10	127,0	220
/11	139,7	233
/12	152,4	245
/13	165,1	258
/14	177,8	271
/15	190,5	283
/16	203,2	296
/17	215,9	309
/18	228,6	321
/19	241,3	334
/20	254,0	347
/21	266,7	360
/22	279,4	372
/23	292,1	385
/24	304,8	398
/25	317,5	410

SISTEMA HARRINGTON DE DISTRAÇÃO VERTEBRAL

Harrington Spinal Distraction System

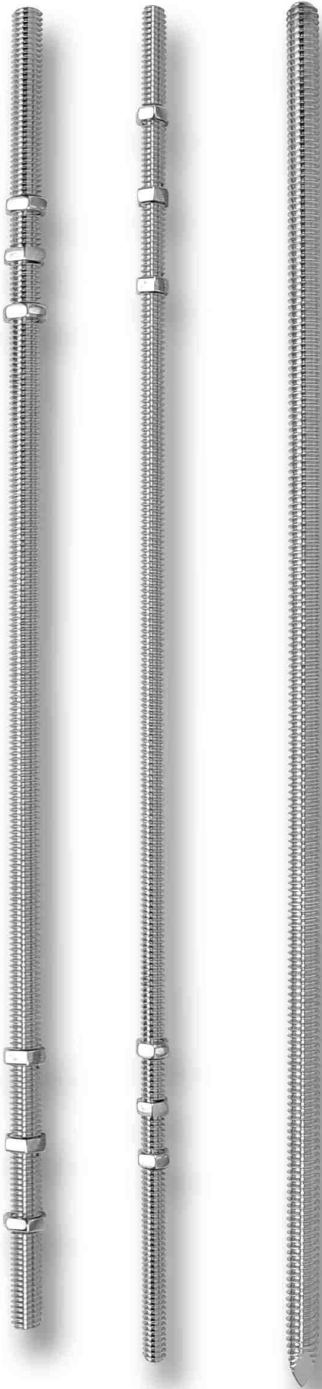


4714

4715

4716

4672/06



INOX
ISO 5832-1
ASTM F 138

4727



4727	ARRUELA "C" Washer "C"
4672/06	FIO PARA SUTURA Ø 1,2 Suture Wire

HASTE SACRA ROSQUEADA Threaded Sacral Rod		
REF.	COMPR. Length	Ø mm
4716	250	4,8

HASTE COMPRESSORA ROSQUEADA Threaded Rods for Compression		
REF.	COMPR. Length	Ø mm
4714	250	4,8
4715	250	3,2



INOX
ISO 5832-1
ASTM F 138

GANCHO DE DISTRAÇÃO

Distraction Hook

4706	AFIADO Sharp
4707	ROMBO Blunt
4708	AFIADO COM RANHURA Sharp Ribbed
4709	ROMBO COM RANHURA Blunt Ribbed

GANCHO PARA HASTE ROSQUEADAS

Hook For Threaded Rods

4710	AFIADO USAR COM 4714 Sharp use with 4714
4711	ROMBO USAR COM 4714 Blunt use with 4714
4712	AFIADO USAR COM 4715 Sharp use with 4715

HASTE DISTRATORA

Distraction Rods
EXTREMIDADE REDONDA
Mo'e Square End (Type)

REF.	H	L
	mm	mm
4705/01	12,7	106
/02	25,4	118
/03	38,1	131
/04	50,8	144
/05	63,5	156
/06	76,2	169
/07	88,9	182
/08	101,0	195
/09	114,3	207
/10	127,0	220
/11	139,7	233
/12	152,4	245
/13	165,1	258
/14	177,8	271
/15	190,5	283
/16	203,2	296
/17	215,9	309
/18	228,6	321
/19	241,3	334
/20	254,0	347
/21	266,7	360
/22	279,4	372
/23	292,1	385
/24	304,8	398
/25	317,5	410

2189



2194



2193



2192



2191



2190



2188

2188 *AFASTADOR*
Retractor

2189 *AFASTADOR*
Retractor

CHAVE DISTRATORA DE GANCHO
Distractor Hook Drivers

2190	GRANDE CURVA Large Curved
2191	GRANDE RETA Large Straight
2192	PEQUENA CURVA Small Curved
2193	PEQUENA RETA Small Straight
2194	PEQUENA CURVA QUADRADA Small Square Curved



2182 *PINÇA GANCHO COM 2 PINOS*
Hook Clamp with 2 Pins

2183 *PINÇA GANCHO COM 1 PINO*
Hook Clamp with 1 Pin

2184 *PINÇA PARA BARRA ROSQUEADA Ø 3,2*
Threaded Rod Clamp

2185 *PINÇA PARA BARRA ROSQUEADA Ø 4,8*
Threaded Rod Clamp

2186 *PINÇA DISTRATORA*
Blount Distractor

2187 *PINÇA DE INTRODUÇÃO DE ARRUELA EM "C"*
Introduction Clamp For "C" Washer

INSTRUMENTAL HARRINGTON - LUQUE

Harrington - Luque Instruments



Proporção 1/1

- 000
- 00
- 0
- 1
- 2
- 3



2218

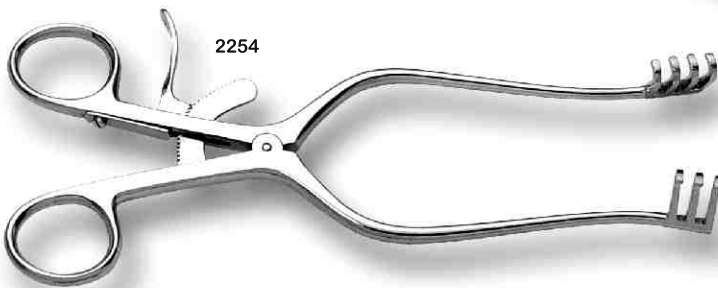


2217



2219

2215



2254



2255

TAYLOR
AFASTADOR PARA COLUNA
Taylor Spinal Retractor

2215/01	76 mm
/02	102 mm

CURETA DE COBB RETA
Cobb Straight Curette

REF.	NUMERO Number
2217/01	000
/02	00
/03	0
/04	1
/05	2
/06	3

CURETA DE COBB CURVA
Cobb Curved Curette

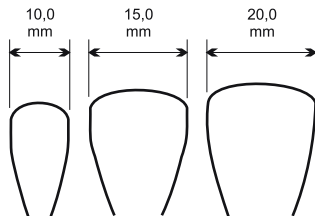
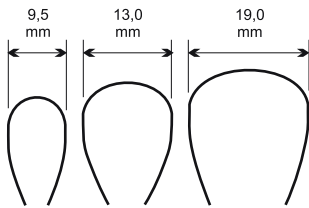
REF.	NÚMERO Number
2218/01	000
/02	00
/03	0
/04	1
/05	2
/06	3

DUCK BILL

2219	PINÇA GOIVA 216 mm Rongeur
------	-------------------------------

ADSON

2254	AFASTADOR RETO 190 mm Straight Retractor
2255	AFASTADOR ANGULADO 240 mm Angle Retractor



AFASTADOR DE COBB
Cobb Retractor

REF.	LARGURA Width
2199/01	9,5
/02	13
/03	19

GOIVA DE CAPENER
Capener Gouge

REF.	LARGURA Width
2202/01	10
/02	15
/03	20

2195 GOIVA RETA 8 mm
Straight Gouge

2196 GOIVA MÉDIA CURVA 8 mm
Medium Curve Gouge

2197 GOIVA FORTE CURVA 8 mm
Sharp Curve Gouge

2198 GOIVA CURVA PARA TRÁS 8 mm
Down Curve Gouge

HASTE E INSTRUMENTAL DE "LUQUE" "Luque" Rod And Instruments



4732
4733
4734
4735



4736



2226



2225



HASTE DE LUQUE Luque Rod

REF.	Ø mm	L mm	COMPR. Length
4732/01	4,8	30	200
/02	4,8	30	400
/03	4,8	30	600
4733/01	4,8	50	200
/02	4,8	50	400
/03	4,8	50	600
4734/01	6,0	30	200
/02	6,0	30	400
/03	6,0	30	600
4735/01	6,0	50	200
/02	6,0	50	400
/03	6,0	50	600

2225 *PINÇA SCHLEIN
Schlein Clamp*

2226 *PINÇA RUSKIN
Ruskin Roungeur*

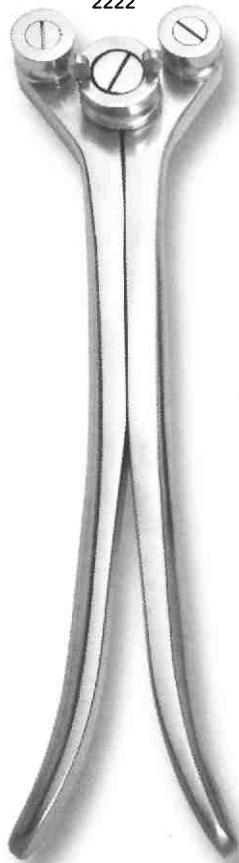
FIO DE AÇO PARA LUQUE Luque Steel Wire

REF.	Ø mm	COMPR. Length
4736/01	1,0	200
/02	1,0	300
/03	1,0	600
/04	1,2	200
/05	1,2	300
/06	1,2	600

2220



2222



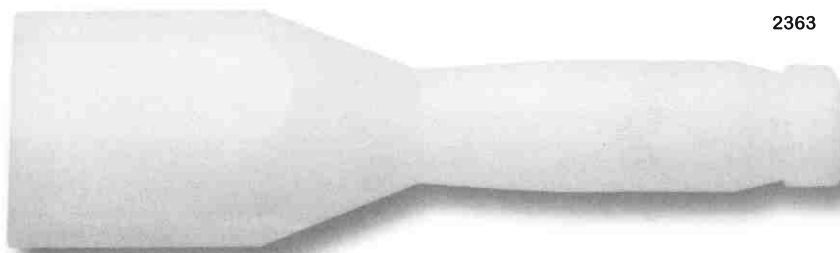
2223



2224



2363



GOIVA PARA ENXERTO
Graft Rongeur

2220/01	Ø 7 mm
/02	Ø 8 mm
/03	Ø 9 mm

2222 MODELADOR DA HASTE
Rod Bender

2223 PINÇA PRENDEDORA DE GANCHO
Hook Clamp Holder

2224 OSTEÓTOMO LOCALIZADOR
Site Hook

2363 MARTELO DE NYLON
Nylon Hammer

RETANGULO PARA COLUNA SH

SH Spinal Rectangle



Inox
ISO 5832-1
ASTM F.138

RETÂNGULO PARA COLUNA SH

SH Spinal Rectangle

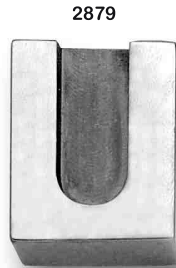
REF.	Ø 5 mm
3123/03	50
/04	60
/05	70
/06	80
/07	90
/08	100
/09	110
/10	120
/11	130
/12	140
/13	150
/14	160
/15	170
/16	180
/17	190
/18	200
/19	210
/20	220
/21	230
/22	240
/23	250
/24	260
/25	270
/26	280
/27	290
/28	300
/29	310
/30	320
/31	330
/32	340
/33	350
/34	360
/35	370
/36	380
/37	390
/38	400
/39	410
/40	420
/41	430
/42	440
/43	450

2434	IMPACTOR PARA RETÂNGULO Ø 6 mm Rectangle Impactor
2435	IMPACTOR PARA RETÂNGULO Ø 5 mm Rectangle Impactor
2436	MODELADOR Bender

RETÂNGULO PARA COLUNA SH

SH Spinal Rectangle

REF.	Ø 6 mm
3124/01	120
/02	130
/03	140
/04	150
/05	160
/06	170
/07	180
/08	190
/09	200
/10	210
/11	220
/12	230
/13	240
/14	250
/15	260
/16	270
/17	280
/18	290
/19	300
/20	310
/21	320
/22	330
/23	340
/24	350
/25	360
/26	370
/27	380
/28	390
/29	400
/30	410
/31	420
/32	430
/33	440



Titannium
Ti 6AL 4v Eli
ISO 5832-3
ASTM F. 136

GAIOLA RETANGULAR RETA
Right Lumbar Cage

REF.	Ø mm
4880/01	8
/02	9
/03	10
/04	11
/05	12
/06	13

GAIOLA RETANGULAR OBLIQUO
Inclined Lumbar Cage

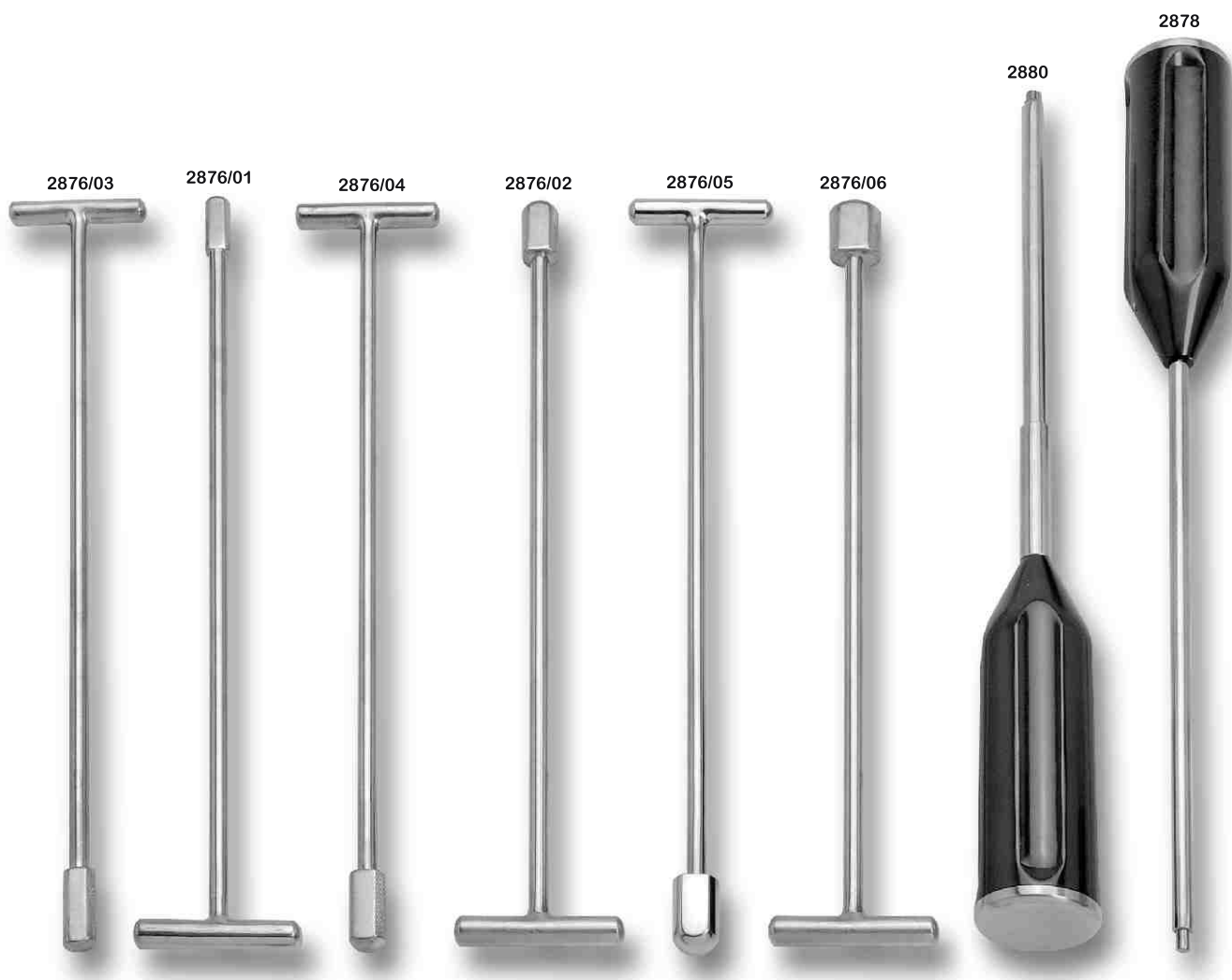
REF.	Ø mm
4881/01	8
/02	9
/03	10
/04	11
/05	12
/06	13

2877 **IMPACTOR DE ENXERTO**
Graft Impactor

2879 **GUIA DE MONTAGEM**
Assembly Guide

INSTRUMENTAL SISTEMA DE GAIOLA PARA COLUNA

Cage System Instruments



2878	<i>IMPACTOR</i> <i>Impactor</i>
2880	<i>CHAVE INICIAL</i> <i>Initial Wrench</i>

<i>MEDIDOR</i> <i>Depth Gauge</i>	
REF.	Ø mm
2876/01	8
/02	9
/03	10
/04	11
/05	12
/06	13

4936



4937



4938



4536



4936/01 *GAIOLA CERVICAL PEQUENA 6 mm*
Small Cervical Cage

4936/02 *GAIOLA CERVICAL MÉDIA 6 mm*
Medium Cervical Cage

4936/03 *GAIOLA CERVICAL GRANDE 6 mm*
Large Cervical Cage

4536 *CONTRA PARAFUSO*
Counter Screw

4937/01 *GAIOLA CERVICAL PEQUENA 7 mm*
Small Cervical Cage

4937/02 *GAIOLA CERVICAL MÉDIA 7 mm*
Medium Cervical Cage

4937/03 *GAIOLA CERVICAL GRANDE 7 mm*
Large Cervical Cage

4938/01 *GAIOLA CERVICAL PEQUENA 8 mm*
Small Cervical Cage

4938/02 *GAIOLA CERVICAL MÉDIA 8 mm*
Medium Cervical Cage

4938/03 *GAIOLA CERVICAL GRANDE 8 mm*
Large Cervical Cage

INSTRUMENTAL PARA SISTEMA GAIOLA CERVICAL QUADRADA

Squared Cervical Spine Cage System Instrumens



1947	CHAVE POSICIONADORA DE CAGE Cage Positioning Wrench
1949	MEDIDOR DO CAGE CERVICAL PEQUENO Deph Gauge Small
1951	MEDIDOR DO CAGE CERVICAL MÉDIO Deph Gauge Medium
1952	MEDIDOR DO CAGE CERVICAL GRANDE Deph Gauge Large
1985	IMPACTOR DE ENXERTO Insert Impactor
1986	GUIA CABO DO MEDIDOR Measuring Handle Guide

1987	GUIA DE MONTAGEM Assembly Guide
2660	CHAVE SEXTAVADA Hexagonal Wrench
2671	AFASTADOR Retractor
2672/01	GUIA DO PARAFUSO 13 mm Screw Guide
2672/02	GUIA DO CAGE 16 mm Cage Guide
2673	CHAVE DE APLICADORA Application Wrench

4949



4948



4963



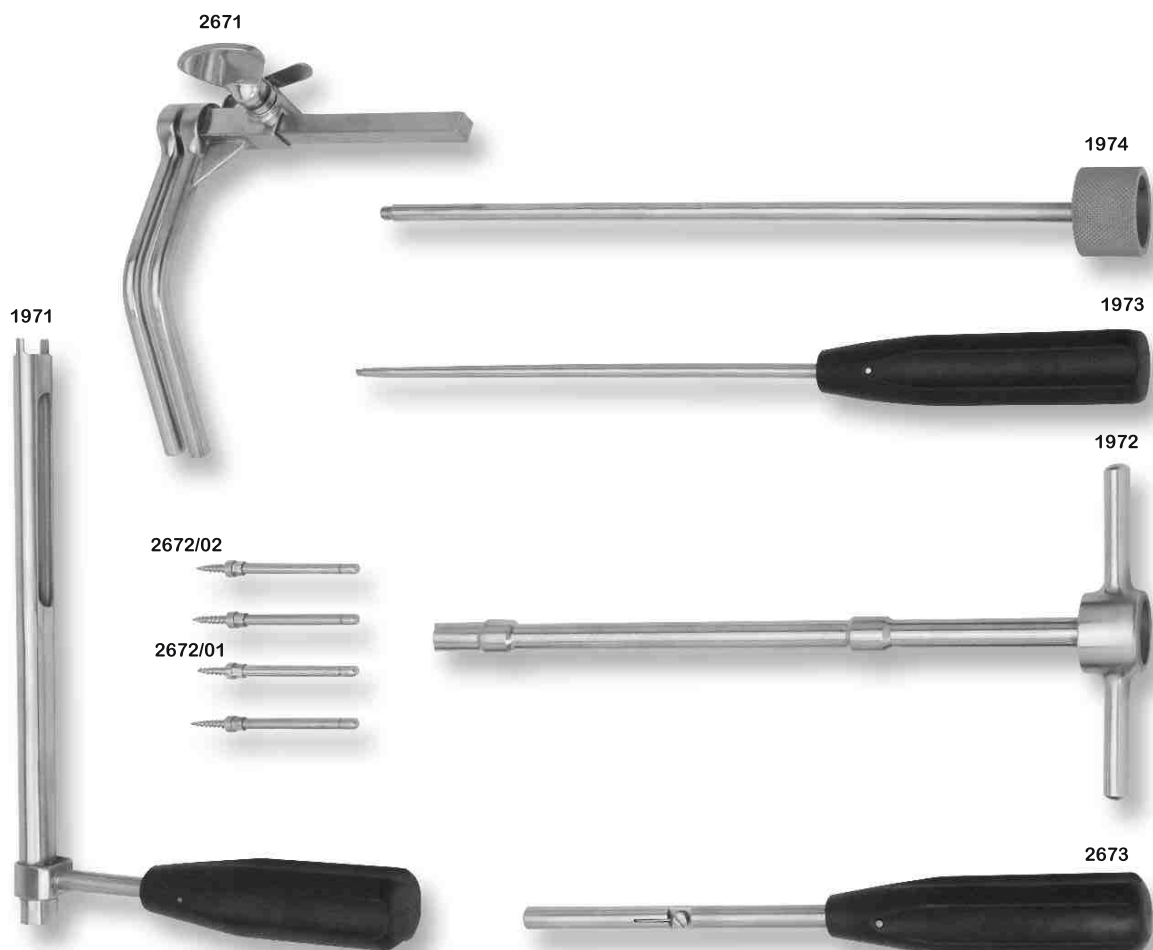
4949/01	GAIOLA CERVICAL CÔNICA 7 x 14 mm Conical Cervical Cage
4949/02	GAIOLA CERVICAL CÔNICA 8 x 14 mm Conical Cervical Cage
4949/03	GAIOLA CERVICAL CÔNICA 9 x 14 mm Conical Cervical Cage
4949/04	GAIOLA CERVICAL CÔNICA 10 x 14 mm Conical Cervical Cage

4963	CONTRA PARAFUSO Counter Screw
------	----------------------------------

4948/01	GAIOLA CERVICAL CÔNICA 7 x 12 mm Conical Cervical Cage
4948/02	GAIOLA CERVICAL CÔNICA 8 x 12 mm Conical Cervical Cage
4948/03	GAIOLA CERVICAL CÔNICA 9 x 12 mm Conical Cervical Cage
4948/04	GAIOLA CERVICAL CÔNICA 10 x 12 mm Conical Cervical Cage

INSTRUMENTAL PARA SISTEMA GAIOLA CERVICAL CÔNICA

Conical Cervical Spine Cage System Instruments



2672/01 *GUIA DO PARAFUSO 13 mm*
Screw Guide

2672/02 *GUIA DO PARAFUSO 16 mm*
Screw Guide

1917 *GUIA PARA CHAVE DE INSERÇÃO*
Insertion Wrench Guide

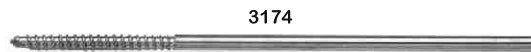
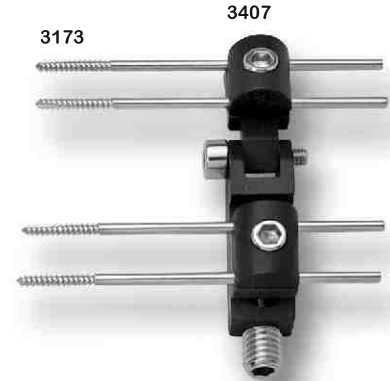
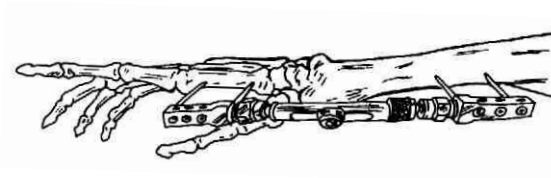
2671 *AFASTADOR*
Retractor

2673 *CHAVE APLICADORA*
Applying Wrench

1972 *CHAVE DE INSERÇÃO DA GAIOLA*
Cage Insertion Wrench

1973 *CHAVE SEXTAVADA*
Hexagonal Wrench

1974 *CHAVE ROSQUEADA*
Screwed Wrench



INOX
ISO 5832-1
ASTM F 138

3173/01	PINO DE SCHANZ Schanz Pins	Ø 2,5 x 50 mm
3173/02	PINO DE SCHANZ Schanz Pins	Ø 2,5 x 100 mm
3174/01	PINO DE SCHANZ Schanz Pins	Ø 3,2 x 100 mm
3174/02	PINO DE SCHANS Schanz Pins	Ø 3,2 x 100 mm
3397	CHAVE ALLEN Allen Wrench	4 mm
3398	CHAVE Wrench	16 mm

3406 *FIXADOR EXTERNO PARA ANTEBRAÇO E PUNHO*
External Fixator for Wrist and Forearm

3407 *FIXADOR EXTERNO PARA DEDO*
External Fixator for Fingers



Inox
ISO 5832-1
ASTM F 138

2971 *CHAVE INTRODUTORA*
Introduction Wrench

2972 *CHAVE EM "L"*
"L" Wrench

4905 *PINO FIXADOR*
Fixator Pin



INOX
ISO 5832-1
ASTM F 138

3423/01 SINTEFIX PEQUENO
Small Sintefix

3423/02 SINTEFIX MÉDIO
Medium Sintefix

3423/03 SINTEFIX GRANDE
Large Sintefix

3413/01 Cabeça "T" Pequena
Small "T" Head

3424 CHAVE EM "L" HEXAGONAL
Hexagonal "L" Wrench

3425/01 FIXADOR ALONGFIX GRANDE
Large Alongfix Fixator

3425/02 FIXADOR ALONGFIX PEQUENO
Small Alongfix Fixator

3433/01 FIXADOR SINTEFIX COM CABO EM T. PEQUENO
Small Sintefix T Fixator

3433/02 FIXADOR SINTEFIX COM CABO EM T. MÉDIO
Medium Sintefix T Fixator

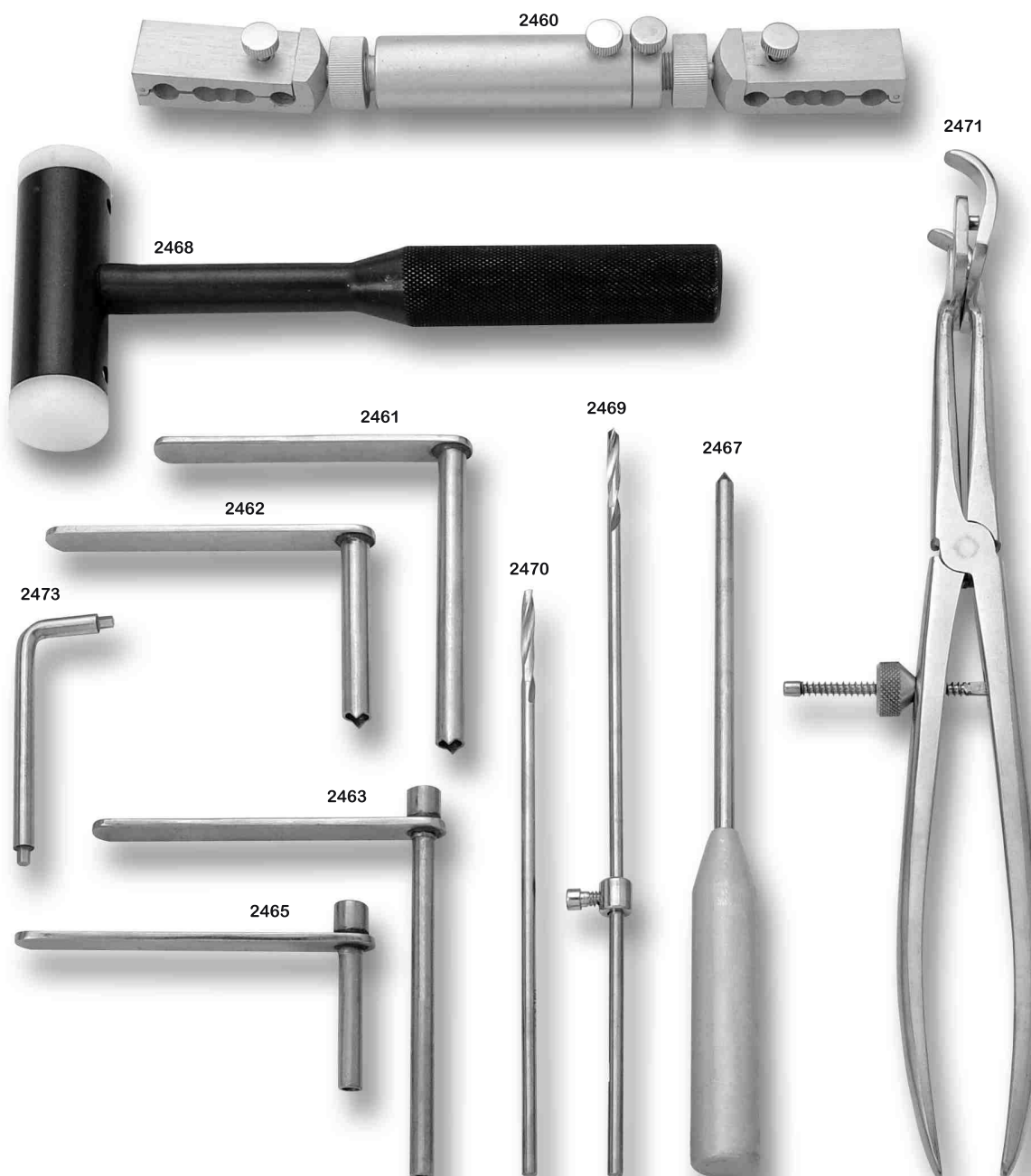
3433/03 FIXADOR SINTEFIX COM CABO EM T. GRANDE
Large Sintefix Fixator

3434/01 FIXADOR ANGULAR PEQUENO
Small Angular Fixator

3434/02 FIXADOR ANGULAR MÉDIO
Medium Angular Fixator

3434/03 FIXADOR ANGULAR GRANDE
Large Angular Fixator

4746 PINO SCHANZ 6 x 180
Schanz Pin 6 x 180



2460 GUIA DE FURAÇÃO
Jig Holes

2461 GUIA DE PARAFUSO 100 mm (6 PEÇAS)
Screw Guide

2462 GUIA DE PARAFUSOS 60 mm (6 PEÇAS)
Screw Guide

2467 PERFURADOR
Perforator

2468 MARTELO COM CABEÇA INTERCAMBIÁVEL
Mallets With Interchangeable Head

2471 PINÇA PARA AJUSTE DE FIXADOR (2 PEÇAS)
Fixator Adjusting Clamp

2473 CHAVE EM "L"
"L" Wrench

BROCA COM STOP
Stop Drill

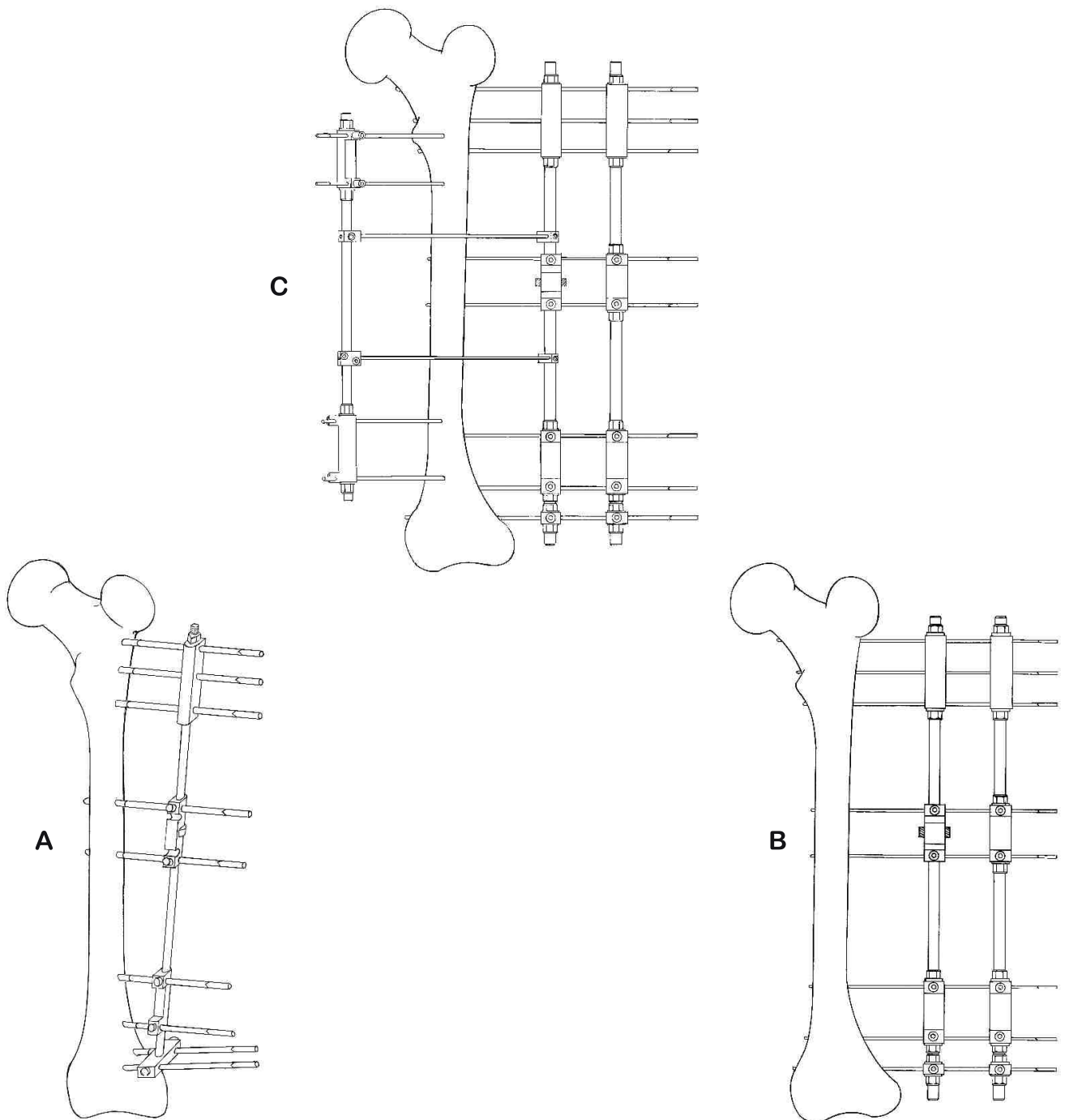
REF.	Ø	COMPR. Length
2469/01	4,5	180
/02	4,5	240
/03	3,2	200

BROCA SEM STOP
Stop Drill With Out

REF.	Ø	COMPR. Length
2470/01	4,5	180
/02	4,5	240
/03	3,2	200

GUIA DE BROCA
Drill Guide

REF.	Ø	COMPR. Length
2463/01	4,8	80
/02	3,2	80
2465/01	4,8	40
/02	3,2	40



O SISTEMA LINEAR DE FIXAÇÃO EXTERNA APRESENTA INOVAÇÕES REVOLUCIONÁRIAS NO CONCEITO DE FIXAÇÃO EXTERNA DE FRATURA, ALONGAMENTO E TRANSPORTE ÓSSEO.

FIXADOR EXTERNO: O SLFE É EXTREMAMENTE VERSÁTIL PODENDO SER USADO NAS FRATURAS DE FÊMUR, TÍBIA, ÚMERO, ANTEBRAÇO, NAS FRATURAS COMINUTIVAS DA 1/3 DISTAL DO RÁDIO (FRATURA DE COLLES), DISJUNÇÃO DE SÍFISE PÚBICA E FRATURAS DE BACIA. É UTILIZADA TAMBÉM NAS FRATURAS DO COTOVELO, JOELHO, TORNOZELO E PUNHO, BEM COMO PARA ARTRODESES COMO FIXADOR COMPRESSOR EXTERNO.

ALONGAMENTO E TRANSPORTE ÓSSEO: O SLFE POSSIBILITA A MONTAGEM DE APARELHO PARA TRANSPORTE ÓSSEO NOS PACIENTES COM PERDA ÓSSEA SEGMENTAR UTILIZADA PARA TANTO O CONECTOR ALONGADOR CÓDIGO 3404 MONTADO COMO MONSTRA A FIGURA – A, B E C. O ALONGAMENTO ÓSSEO POR DISTRAÇÃO DA FISE É REALIZADO EM CRIANÇAS UTILIZANDO-SE O CONECTOR HORIZONTAL (CÓDIGO 3402), NA EPÍFISE E O CONECTOR ALONGADOR MOSTRA A FIGURA – A, B E C.

Linear System of External Fixation (LSEF), present revolutionary innovations regarding fracture external fixation, lengthening and bone transportation.

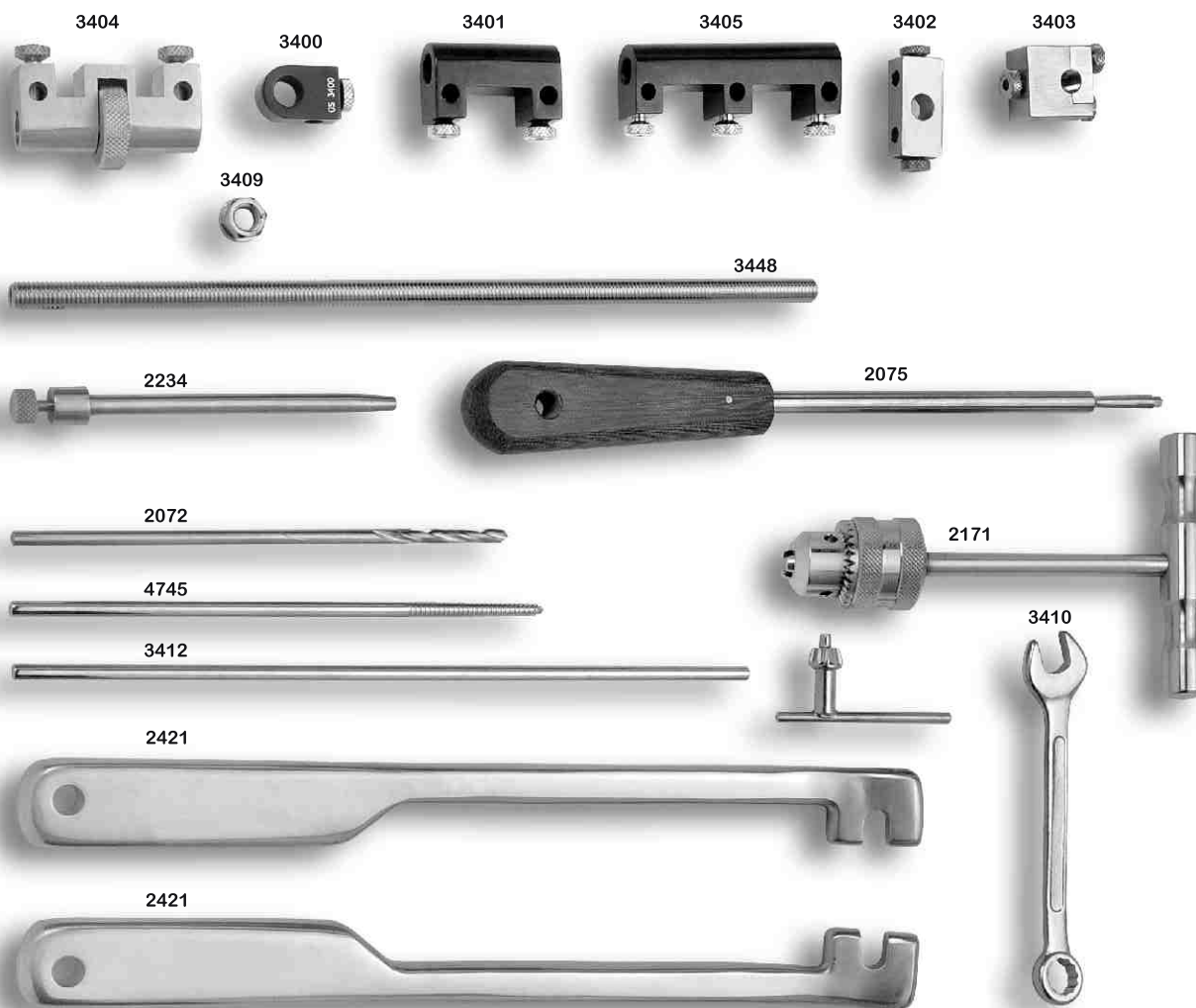
External Fixator: LSEF is extremely versatile being used at femoral, tibial, of humerus, forearm, in cominutive of 1/3 distal radius (Colle's), public sifise disjunction and basin ones. It is also used in fractures of elbow, knee, ankle and fist as well as for arthrodeses as like external compressing fixator.

Lengthening and Bone Transportation: LSEF provides the assembly of the equipment to bone transportation in patients with segmentar lost of bone using the lengthner conector (code 3404), as show figure – A, B and C.

The Bony lengthening by fise distraction is executed in children using the horizontal connector (code 3402), in epifise and the lengthening conector (code 3401), in diafise as per figure – A, B and C.

SISTEMA LINEAR DE FIXAÇÃO EXTERNA

Linear System of External Fixation



CONECTOR SIMPLES

Single Connector

REF.	COMPR. Length
3400	16

CONECTOR TRIPLE

Triplice Connector

REF.	COMPR. Length
3405	60

CONECTOR DUPLO

Double Connector

REF.	COMPR. Length
3401/01	30
/02	40
/03	50
/04	55

HASTE ROSQUEADA

Othread Rods

REF.	COMPR. Length
3448/01	100
/02	150
/03	250
/04	300
/05	350
/06	400
/07	450

PINO DE SCHANZ

Schanz Pins

REF.	Ø	COMPR. Length
4745/01	4,8	160
/02	4,8	200

2072 BROCA DE AÇO INOX LONGA Ø 3,2 mm
Drill Stainless Steel Long

2075 CHAVE HEXAGONAL 3,5 mm
Hexagonal Wrench

2171 CHAVE "T"
"T" Wrench

2234 PERFURADOR E GUIA
Perforator and Guide

2421 MODELADOR
Bender

3402 PORTA PINO EM "T" DUPLO
Double Pin Holder "T"

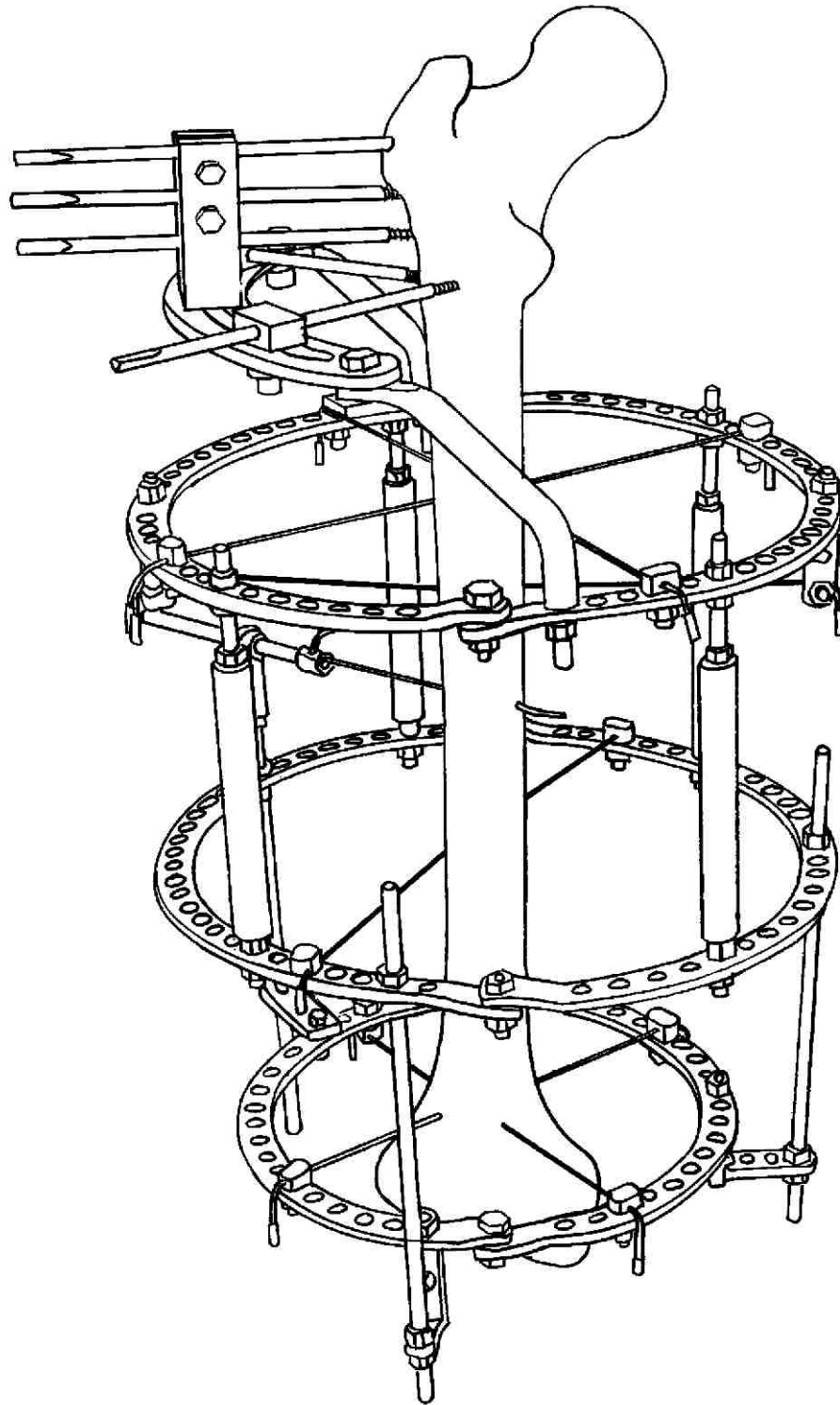
3403 UNIÃO SIMPLES
Single Union

3404 UNIÃO DUPLA PARA TRANSPORTE ÓSSEO
Double Union for Bone Transportation

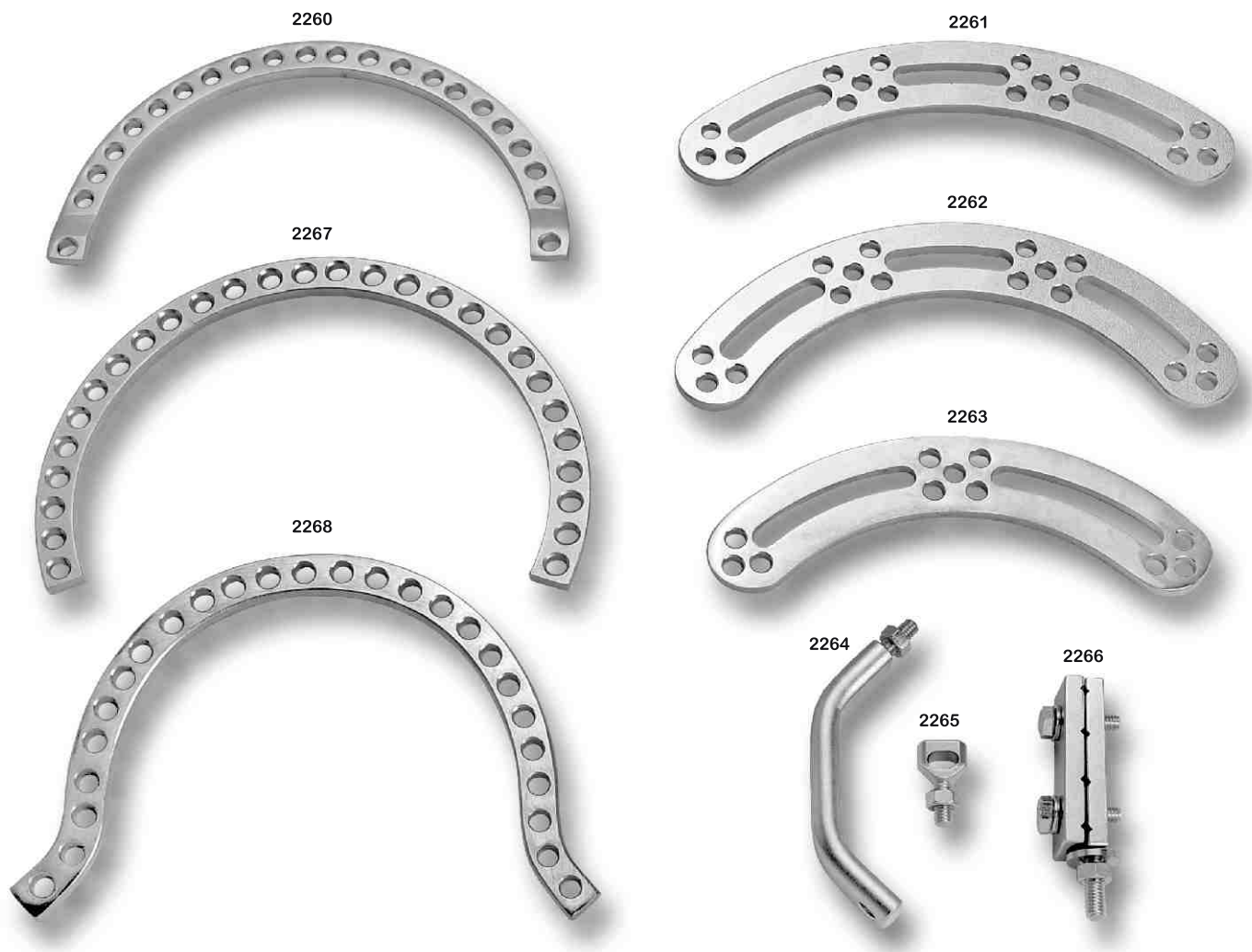
3409 PORCA SEXTAVADA Ø 8 mm
Hexahedral Nut

3410 CHAVE COMBINADA 11 mm
Combination Wrench

3412 BARRA LISA 4,8 x 230 mm
Smooth Rod



FIXADOR EXTERNO PARA REDUÇÃO E ALONGAMENTO MODELO "ILIZAROV"
External Fixator for Reduction and Alongation Model "Ilizarov"



2261	SEMI ANEL DE FÊMUR 140° Femur Semi Ring
2262	SEMI ANEL DE FÊMUR 120° Femur Semi Ring
2263	SEMI ANEL DE FÊMUR 100° Femur Semi Ring
2264	SUPORTE DE SEMI ANEL Semi Ring Support
2265	PORTA PINO DE SCHANZ PEQUENO Small Schanz Pin Holder
2266	PORTA PINO DE SCHANZ GRANDE Large Schanz Pin Holder

SEMI ANEL 5/8
Semi Ring

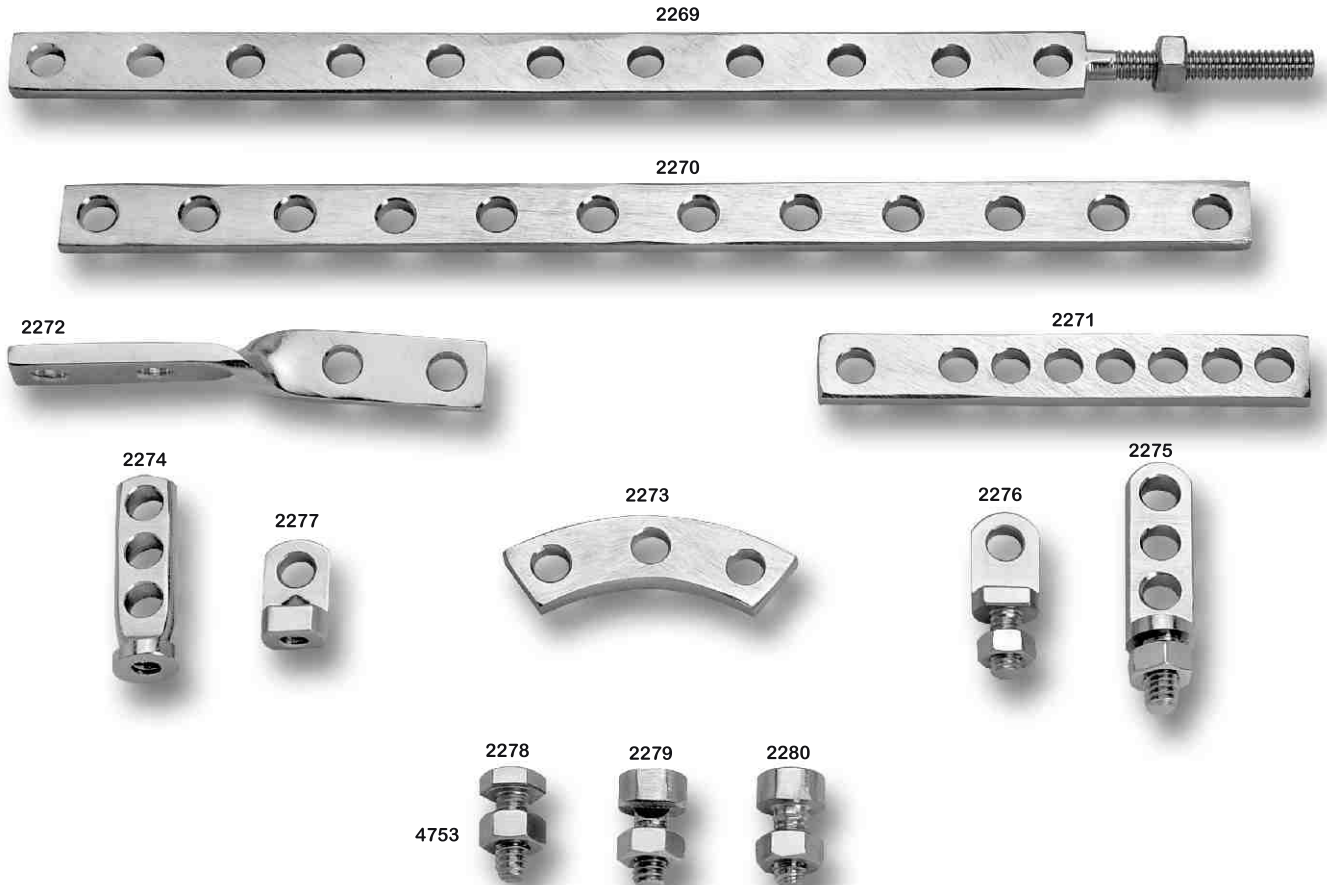
REF.	Ø INTERNO Internal
2267/01	120
/02	130
/03	160

SEMI ANEL COM EXTREMIDADE ANGULADA
Semi Ring With Angled Extremity

REF.	Ø INTERNO Internal
2268/01	120
/02	130
/03	150

SEMI ANEL
Semi Ring

REF.	Ø INTERNO Internal
2260/01	100
/02	110
/03	120
/04	130
/05	140
/06	150
/07	160
/08	180
/09	200
/10	220
/11	240



BANDEIRA COM ROSCA MACHO
Support With Male Thread

REF.	FUROS Holes	COMPR. Length
2275/01	2	27
/02	3	37
/03	4	47

BANDEIRA COM ROSCA FÊMEA
Support With Female Thread

REF.	FUROS Holes	COMPR. Length
2274/01	2	40
/02	3	50
/03	4	60

PLACA DE CONEXÃO ROSQUEADA
Threaded Connection Plate

REF.	FUROS Holes	COMPR. Length
2269/01	4	116
/02	7	176
/03	9	216
/04	11	256

PARAFUSO COM CABEÇA SEXTAVADA
Hexagonal Screw With Head

REF.	COMPR. Length
2278/01	6,35 x 15
/02	6,35 x 25
/03	6,35 x 30

PLACA DE CONEXÃO
Connection Plate

REF.	FUROS Holes	COMPR. Length
2270/01	8	155
/02	12	235
/03	17	335

PLACA DE CONEXÃO
Connection Plate

REF.	FUROS Holes	COMPR. Length
2271/01	3	45
/02	4	55
/03	5	65
/04	6	75
/05	7	85
/06	8	95
/07	9	105
/08	10	115

PLACA BI PLANA
Bi Plane Plate

REF.	FUROS Holes	COMPR. Length
2272/01	2	45
/02	3	65
/03	4	85

4753	PORCA Nut
2273	PLACA CURVA Curved Plate
2276	SUPOORTE DE LIGAÇÃO COM ROSCA MACHO Connection Support With Male Thread
2277	SUPOORTE DE LIGAÇÃO COM ROSCA FÊMEA Connection Support With Female Thread
2279	PARAFUSO FIXA FIO COM FURO PASSANTE Wire Fix Screw With Passer-By Hole
2280	PARAFUSO TENSOR DE FIOS COM CANAL Wire Tightener Screw With Canal

2283
2282

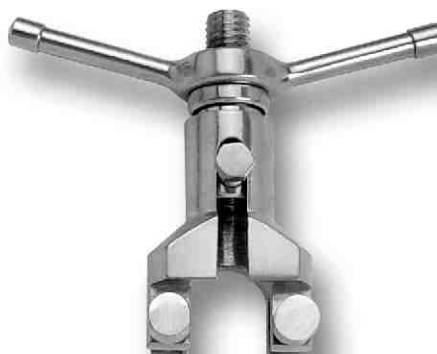


INOX
ISO 5832-1

2281



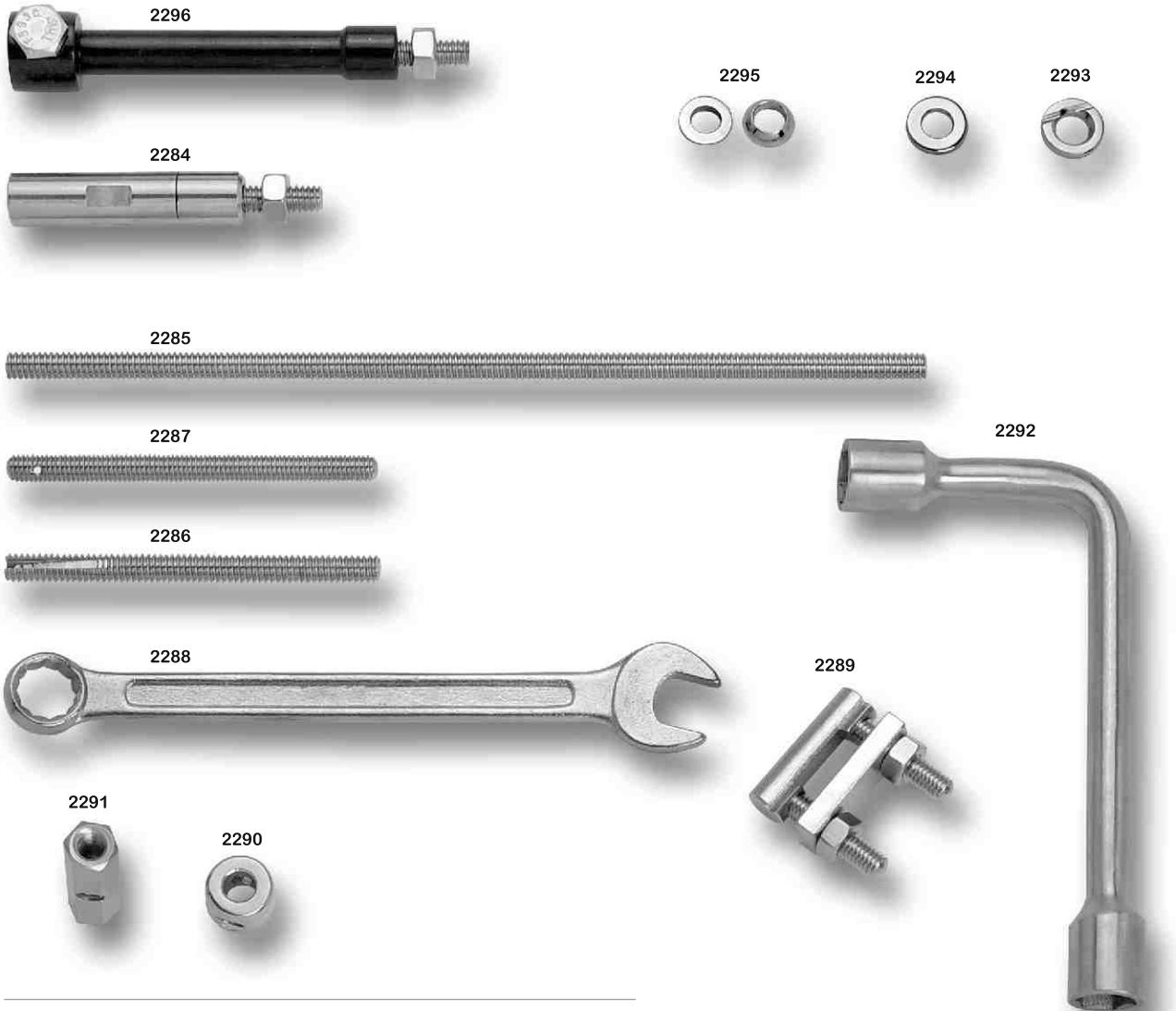
2325



2281	<i>EXTRATOR</i> <i>Extractor</i>
2325	<i>EXTRATOR DE FIOS</i> <i>Wire Extractor</i>

<i>FIO LISO</i> <i>Smooth Wire</i>		
REF.	COMPR. Length	Ø mm
2282/07	250	1,5
/11	370	1,8

<i>FIO LISO ESFERA</i> <i>Smooth Wire With Sphere</i>		
REF.	COMPR. Length	Ø mm
2283/01	250	1,5
/02	400	1,8



2284	HASTE TELESCOPICA PARA ALONGAMENTO Telescopic Rod for Alongation
2287	HASTE ROSQUEADA COM ORIFICIO NA PONTA 120 mm Threaded Rod with One Hole in The Extremity
2288	CHAVE COMBINADA Combination Wrench
2289	SUPORTE DESLIZANTE DESMONTAVEL Sliding Dismountable Support
2290	BUCHA CILINDRICA Cylindrical Bushing
2291	BUCHA HEXAGONAL Hexagonal Bushing
2292	CHAVE "L" "L" Wrench
2293	ARRUELA COM CANAL Washer With Channel
2295	ARRUELA CÔNCAVA / CONVEXA Concave / Convex Washer
2296	HASTE TELESCOPICA Telescopic Rod

HASTE ROSQUEADA
Thread Rod

REF.	mm
2285/01	80
/02	100
/03	120
/04	150
/05	200
/06	250
/07	300

ARRUELA LISA
Smooth Washer

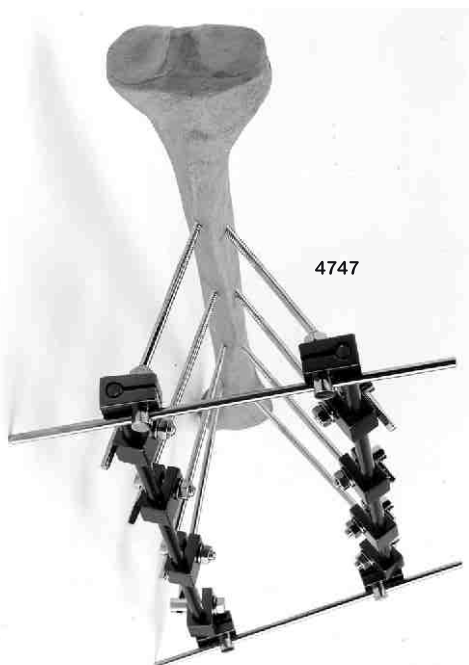
REF.	mm
2294/01	1,5
/02	2,0

HASTE ROSQUEADA COM CANAL
Thread Rod With Channel

REF.	mm
2286/01	40
/02	60

SISTEMA DE FIXAÇÃO EXTERNA "LAYFIX"

External Fixation System "Layfix"



INOX
ISO 5832-1
ASTM F 138

4755



4756



2235



4745



2235/02 CHAVE 10 mm
Wrench

4745/01 PINO DE SCHANZ Ø 4,8 x160 mm
Schanz Pin

4745/02 PINO DE SCHANZ Ø 4,8 x200 mm
Schanz Pin

4751 CONECTOR
Connector

4752 PORTA PINO
Pin Holder

1919 PORCA
Nut

4754 ARRUELA
Washer

4756 BARRA LISA Ø 4,8 mm
Smooth Rod

FIXADOR LAYFIX Layfix Fixator

4747/01	250 mm
/02	300 mm
/03	350 mm
/04	400 mm

BARRA LISA Ø 8 mm Smooth Rod

REF.	COMPR. Length
4755/01	250
/02	300
/03	350
/04	400

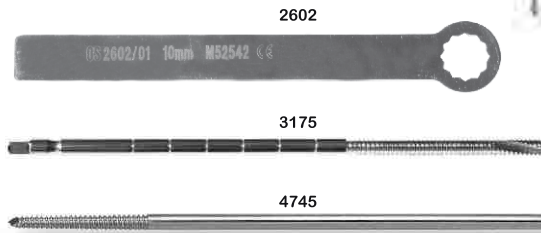
1618/02	PERFURADOR PUNÇÃO GRANDE Large Punch
1619/02	GUIA DE BROCA GRANDE Large Drill guide
1620/01	GUIA PROTETOR PEQUENO Small Protection Guide
1620/02	GUIA PROTETOR GRANDE Large Protector Guide
2580/03	BROCA Ø 2,5X250 mm Drill
2580/04	BROCA Ø 3,2X250 mm Drill



TUBO AÇO INOX Ø 10 mm

Stainless Steel Tube

REF.	COMPR. Length
2601 /01	100
/02	200
/03	250
/04	300
/05	400



TUBO AÇO INOX Ø 11 mm

Stainless Steel Tube

REF.	COMPR. Length
2611/01	100
/02	200
/03	250
/04	300
/05	400

INOX
ISO 5832-1
ASTM F 138

JUNTA UNIVERSAL TUBO PINO

Tube Pin Universal Joint

REF.	Ø
2599/01	10mm
/02	11mm

JUNTA UNIVERSAL TUBO TUBO

Tube Tube Universal Joint

REF.	Ø
2600/01	10mm
/02	11mm

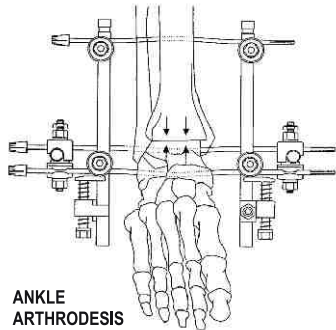


TUBO FIBRA CARBONO Ø 11 mm

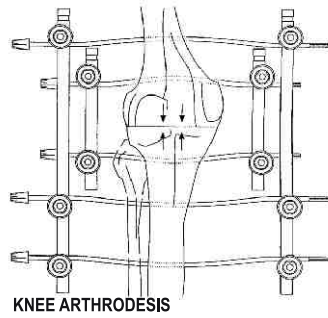
Carbon Fiber Tube

REF.	COMPR. Length
2603 /01	100
/02	200
/03	250
/04	300
/05	400

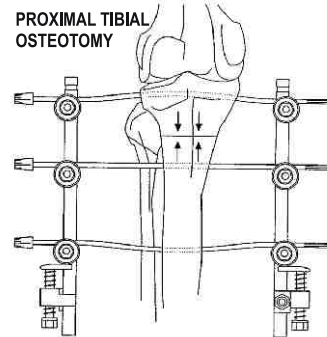
2171	CHAVE "T" "T" Wrench
2595/01	CONECTOR PARA ALONGADOR DO TUBO Ø 10 mm Conector For Tube Extender
2595/01	CONECTOR PARA ALONGADOR DO TUBO Ø 11 mm Conector For Tube Extender
2602	CHAVE 10 mm Wrench
3175/03	PINO DE SCHANZ Ø 5 x 150mm Schanz Pin
4745/01	PINO DE SCHANZ Ø 4,8 mm x 160 mm Schanz Pin
4745/02	PINO DE SCHANZ Ø 4,8 mm x 200 mm Schanz Pin



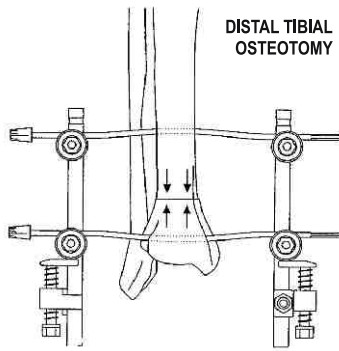
ANKLE ARTHRODESIS



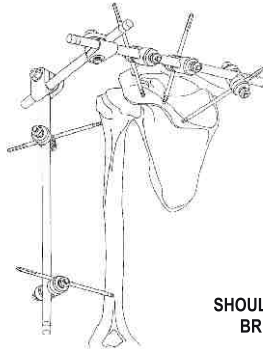
KNEE ARTHRODESIS



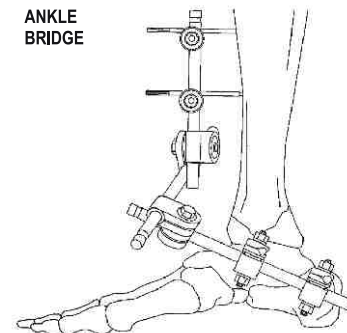
PROXIMAL TIBIAL OSTEOTOMY



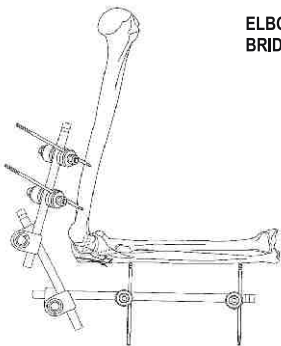
DISTAL TIBIAL OSTEOTOMY



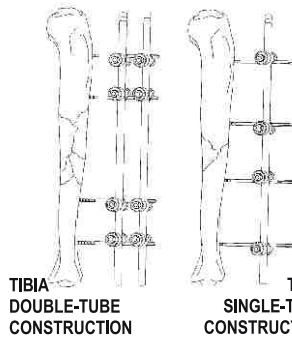
SHOULDER BRIDGE



ANKLE BRIDGE

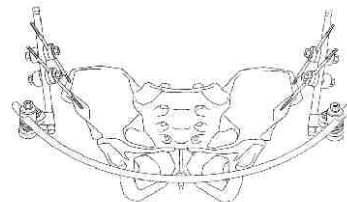


ELBOW BRIDGE

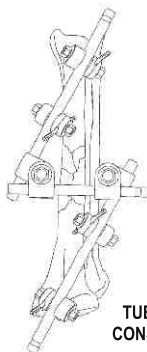


TIBIA DOUBLE-TUBE CONSTRUCTION

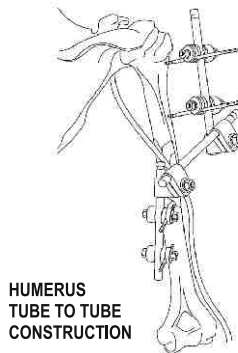
TIBIA SINGLE-TUBE CONSTRUCTION



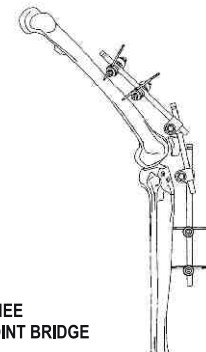
PELVIS "OPEN BOOK" INJURY. FRAME WITH CURVED, CARBON FIBRE ROD.



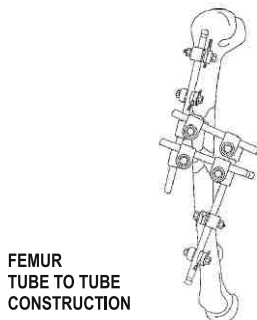
TIBIA TUBE TO TUBE CONSTRUCTION



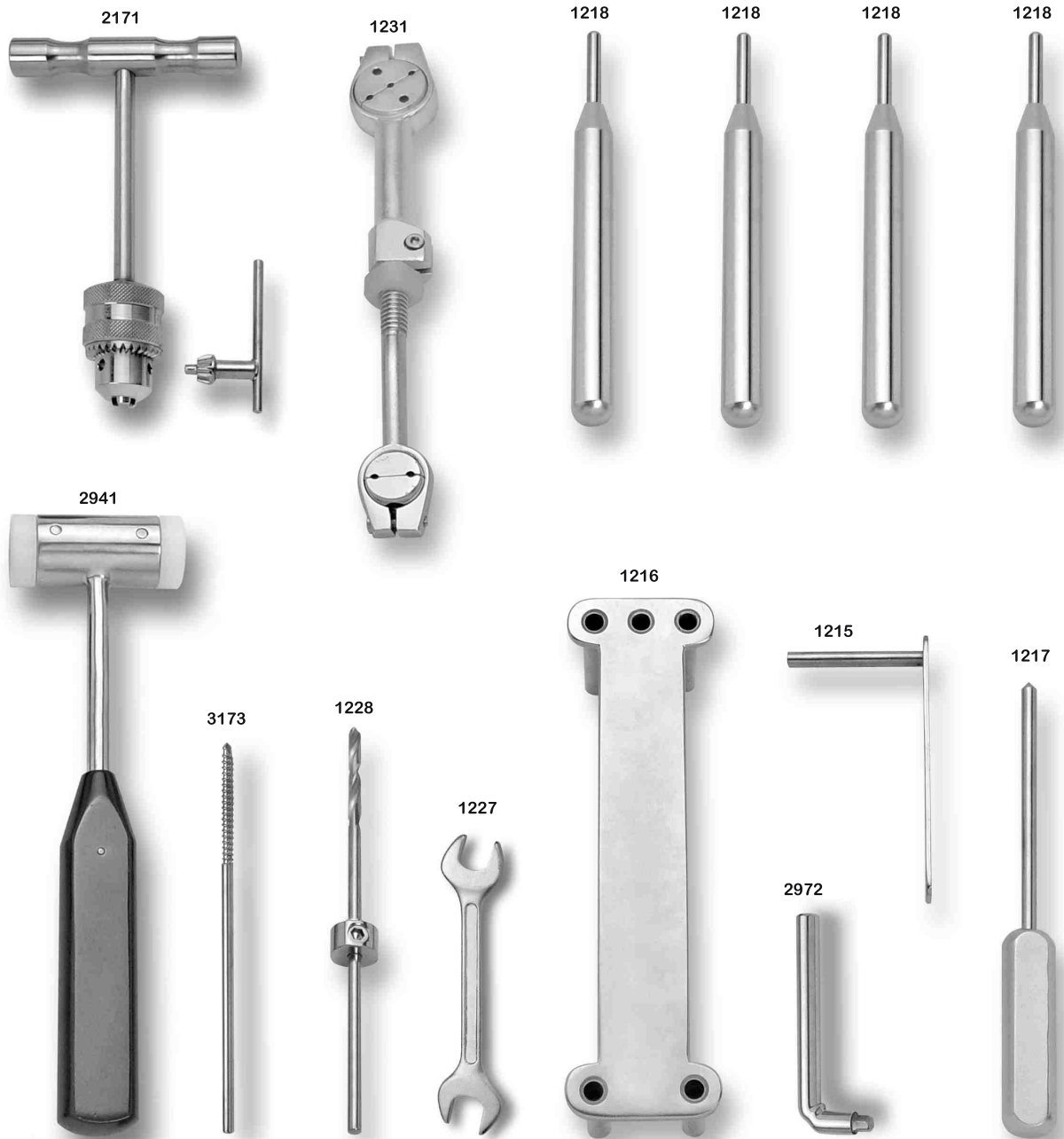
HUMERUS TUBE TO TUBE CONSTRUCTION



KNEE JOINT BRIDGE



FEMUR TUBE TO TUBE CONSTRUCTION



1215/05 *GUIA DE BROCA Ø 1,5 mm*
Drill Guide

1216/01 *GUIA DE FURAÇÃO DO PINO SCHANZ Ø 2,5 mm*
Schanz Pin Punch Guide

1217/01 *PERFURADOR PUNÇÃO Ø 2,4 mm*
Perforated Punch

1218/01 *GUIA POSICIONADOR Ø 3 mm*
Positioner Impactor

1227 *CHAVE Ø 16 mm*
Wrench

1228/01 *BROCA COM STOP Ø 2,0 x 160 mm*
Stop Drill

1231 *FIXADOR DE PUNHO*
External Wrist Fixator

2171 *CHAVE "T"*
"T" Wrench

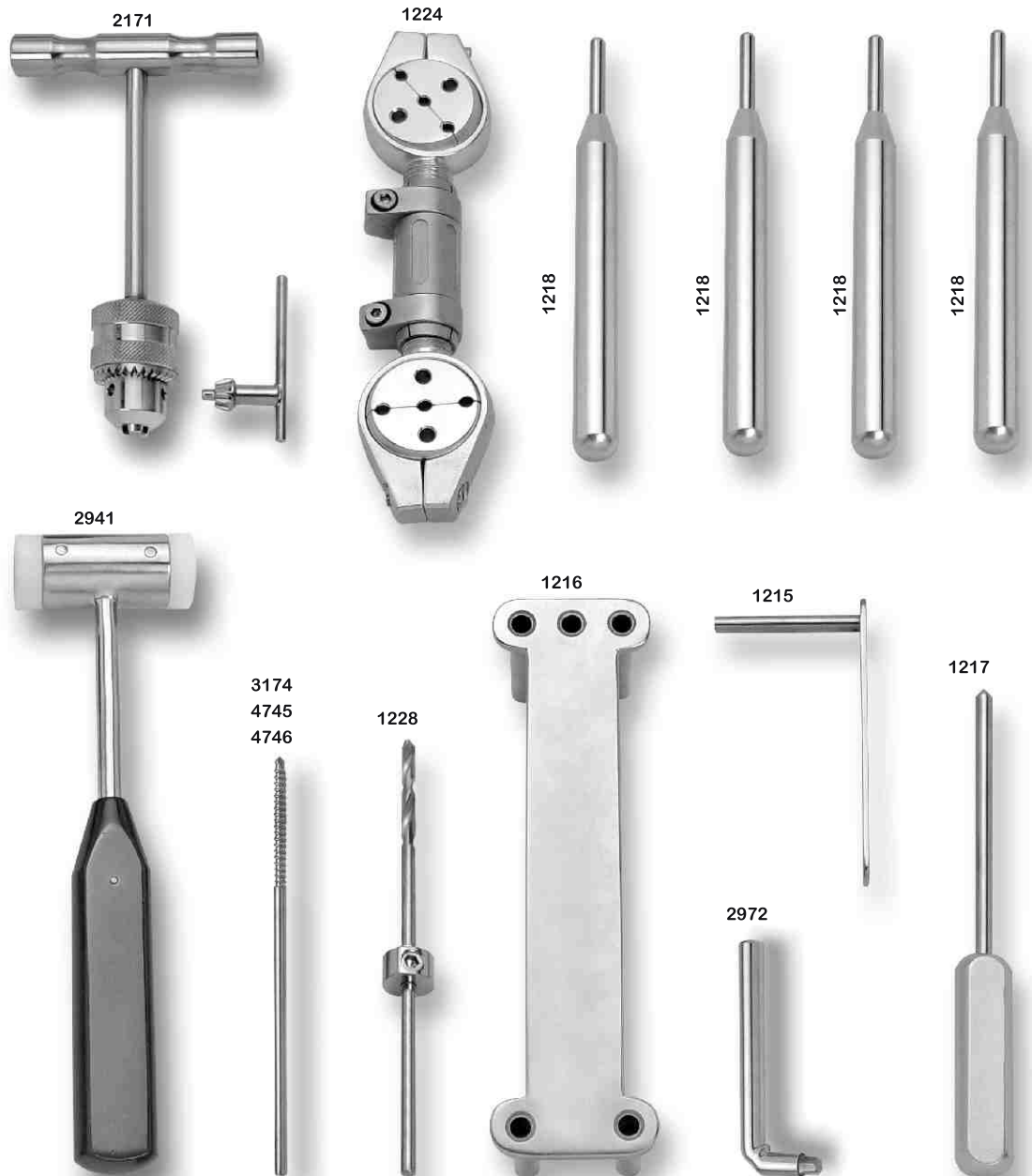
2941 *MARTELO 250g*
Mallets

2972 *CHAVE ALLEN Ø 3,0 mm*
Allen Wrench

3173/01 *PINO DE SCHANZ 2,5 x 50 mm*
Schanz Pin

FIXADOR EXTERNO ESFERA PARA REDUÇÃO E ALONGAMENTO DE FRATURAS

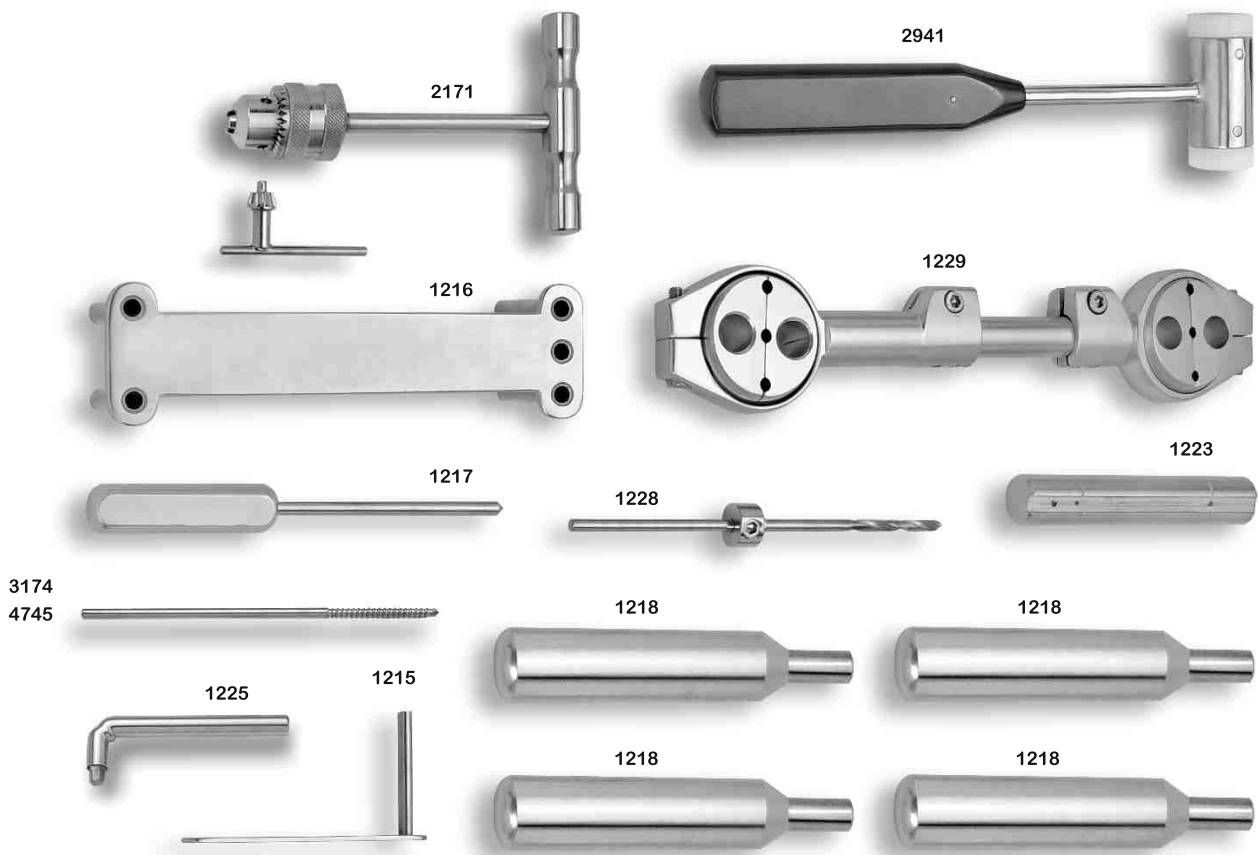
Spherical External Fixator for Fracture Reduction and Lengthening



1215/02	GUIA DE BROCA Ø 2,5 mm Drill Guide
1215/03	GUIA DE BROCA Ø 3,2 mm Drill Guide
1215/04	GUIA DE BROCA Ø 4,5 mm Drill Guide
1216/02	GUIA DE FURAÇÃO DO PINO SCHANZ Ø 3,2 mm Schanz Pin Punch Guide
1216/03	GUIA DE FURAÇÃO DO PINO SCHANZ Ø 4,8 mm Schanz Pin Punch Guide
1216/04	GUIA DE FURAÇÃO DO PINO SCHANZ Ø 6,0 mm Schanz Pin Punch Guide
1217/01	PERFURADOR PUNÇÃO Ø 2,4 mm Perforated Punch
1217/02	PERFURADOR PUNÇÃO Ø 3,0 mm Perforated Punch

1271/03	PERFURADOR PUNÇÃO Ø 4,0 mm Perforated
1218/02	GUIA POSICIONADOR Ø 4,0 mm Positioner Guide
1218/03	GUIA POSICIONADOR Ø 6,0 mm Positioner Guide
1218/04	GUIA POSICIONADOR Ø 14,5 mm Positioner Guide
1224/01	FIXADOR ESFERA EXTERNO PEQUENO Small Spherical External Fixator
1224/02	FIXADOR ESFERA EXTERNO MÉDIO Medium Spherical External Fixator
1224/03	FIXADOR ESFERA EXTERNO GRANDE Large Spherical External Fixator
1228/02	BROCA COM STOP Ø 2,5 x 180 mm Stop Drill

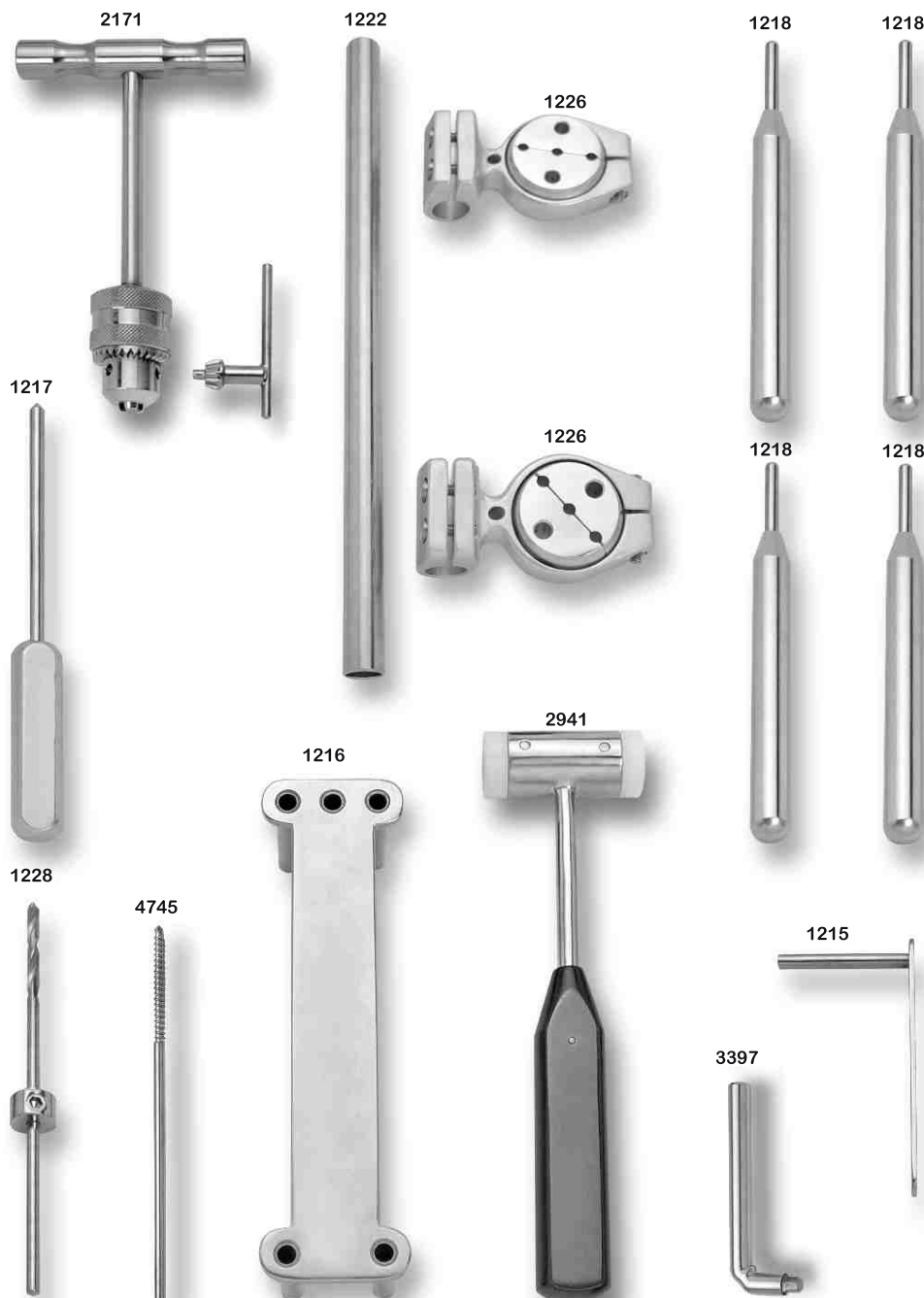
1228/03	BROCA COM STOP Ø 3,2 x 200 mm Stop Drill
1228/04	BROCA COM STOP Ø 4,5 x 200 mm Stop Drill
2171	CHAVE "T" "T" Wrench
2941	MARTELO 250g Mallets
2972	CHAVE ALLEN Ø 5,0 mm Allen Wrench
3174/01	PINO DE SCHANZ Ø 3,2 x 100 mm Schanz Pins
4745/01	PINO DE SCHANZ Ø 4,8 x 160 mm Schanz Pins
4746	PINO DE SCHANZ Ø 6,0 x 180 mm Schanz Pins



1215/02	GUIA DE BROCA Ø 2,5 mm Drill Guide	1223/02	BARRA ALONGADORA ESFERA 19 x 150 mm Spherical Alongation Rod
1215/03	GUIA DE BROCA Ø 3,2 mm Drill Guide	1225	CHAVE ALLEN Ø 5,0 mm Allen Wrench
1215/04	GUIA DE BROCA Ø 4,5 mm Drill Guide	1228/02	BROCA COM STOP Ø 2,5 x 180 mm Stop Drill
1216/02	GUIA DE FURAÇÃO DO PINO SCHANZ Ø 3,2 mm Schanz Pin Punch Guide	1228/03	BROCA COM STOP Ø 3,2 x 200 mm Stop Drill
1216/03	GUIA DE FURAÇÃO DO PINO SCHANZ Ø 4,8 mm Schanz Pin Punch Guide	1228/04	BROCA COM STOP Ø 4,5 x 200 mm Stop Drill
1216/04	GUIA DE FURAÇÃO DO PINO SCHANZ Ø 6,0 mm Schanz Pin Punch Guide	1229/01	FIXADOR ESFERA EXTERNO PEQUENO Small External Spherical Fixator
1217/01	PERFURADOR PUNÇÃO Ø 2,4 mm Perforated	1229/02	FIXADOR ESFERA EXTERNO MÉDIO Medium External Spherical Fixator
1217/02	PERFURADOR PUNÇÃO Ø 3,0 mm Perforated Punch	1229/03	FIXADOR ESFERA EXTERNO GRANDE Large External Spherical Fixator
1217/03	PERFURADOR PUNÇÃO Ø 4,0 mm Perforated Punch	2171	CHAVE "T" "T" Wrench
1218/02	GUIA POSICIONADOR Ø 4,0 mm Positioner Punch Impactor	2941	MARTELO 250g. Mallet
1218/03	GUIA POSICIONADOR Ø 6,0 mm Positioner Impactor	3174/01	PINO DE SCHANZ Ø 3,2 x 100 mm Schanz Pin
1218/04	GUIA POSICIONADOR Ø 14,5 mm Positioner Impactor	4745/01	PINO DE SCHANZ Ø 4,8 x 160 mm Schanz Pin
1223/01	BARRA ALONGADORA ESFERA 19 x 100 mm Spherical Alongation Rod	4746	PINO DE SCHANZ Ø 6,0 x 180 mm Schanz Pin

FIXADOR ESFERA BARRA PARA REDUÇÃO E ALONGAMENTO DE FRATURAS

Sphere Bar Fixator for Fracture Reduction and Bone Lengthening



1215/03 GUIA DE BROCA Ø 3,2 mm
Drill Guide

1216/02 GUIA DE FURAÇÃO DO PINO SCHANZ Ø 3,2 mm
Schanz Punch Guide

1217/02 GUIA POSICIONADOR Ø 3,0 mm
Positioner Impactor

1218 GUIA POSICIONADOR
Positioner Impactor

1222/01 BARRA LISA ESFERA 16 x 250 mm
Spherical Smooth Rod

1222/02 BARRA LISA ESFERA 16 x 300 mm
Spherical Smooth Rod

1222/03 BARRA LISA ESFERA 16 x 350 mm
Spherical Smooth Rod

1226 FIXADOR ESFERA BARRA
Spherical Rod Fixator

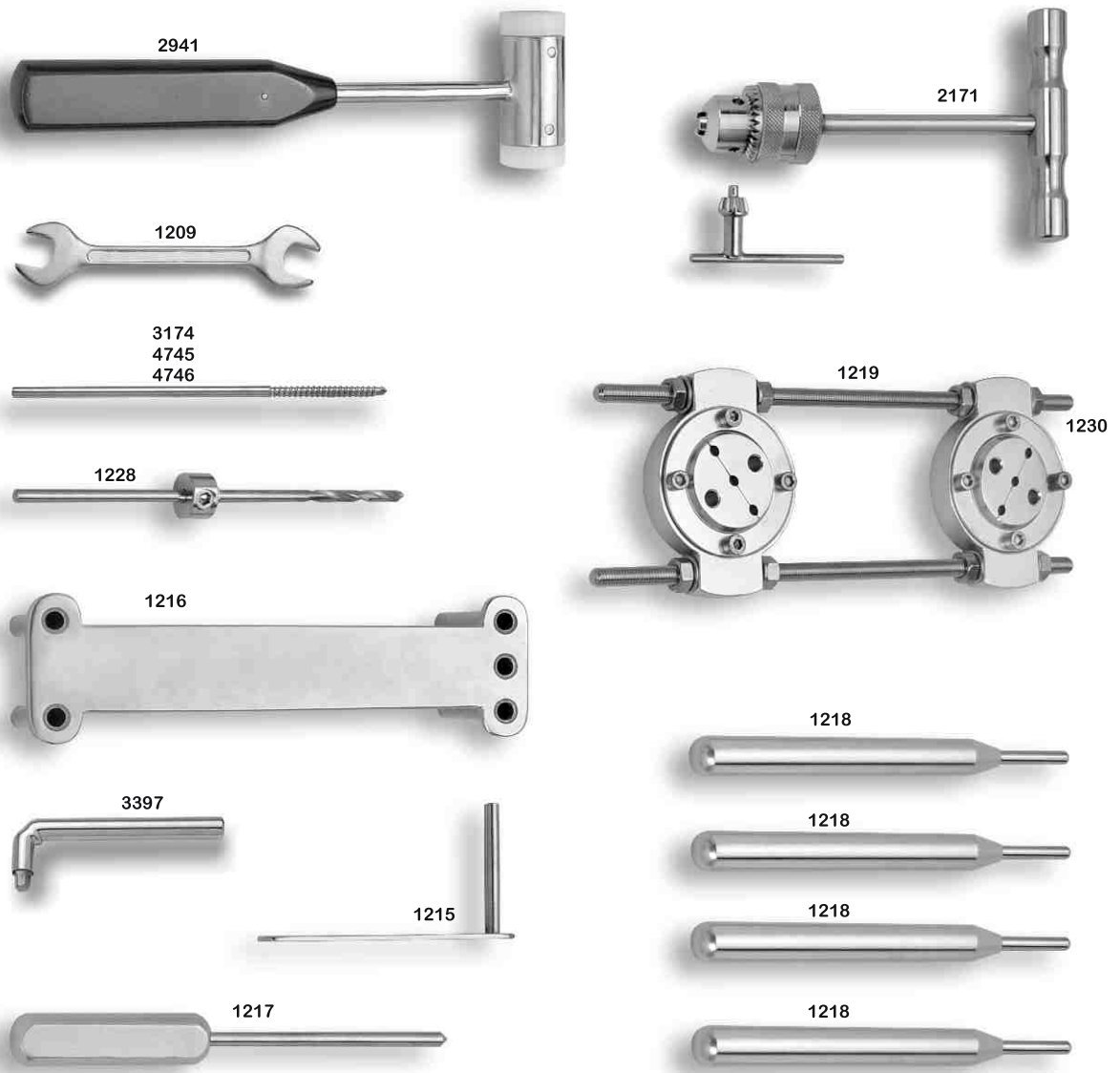
1228/03 BROCA COM STOP Ø 3,2 x 200 mm
Stop Drill

2171 CHAVE "T"
"T" Wrench

2941 MARTELO 250G
Mallets

3397 CHAVE ALLEN Ø 4,0 mm
Allen Wrench

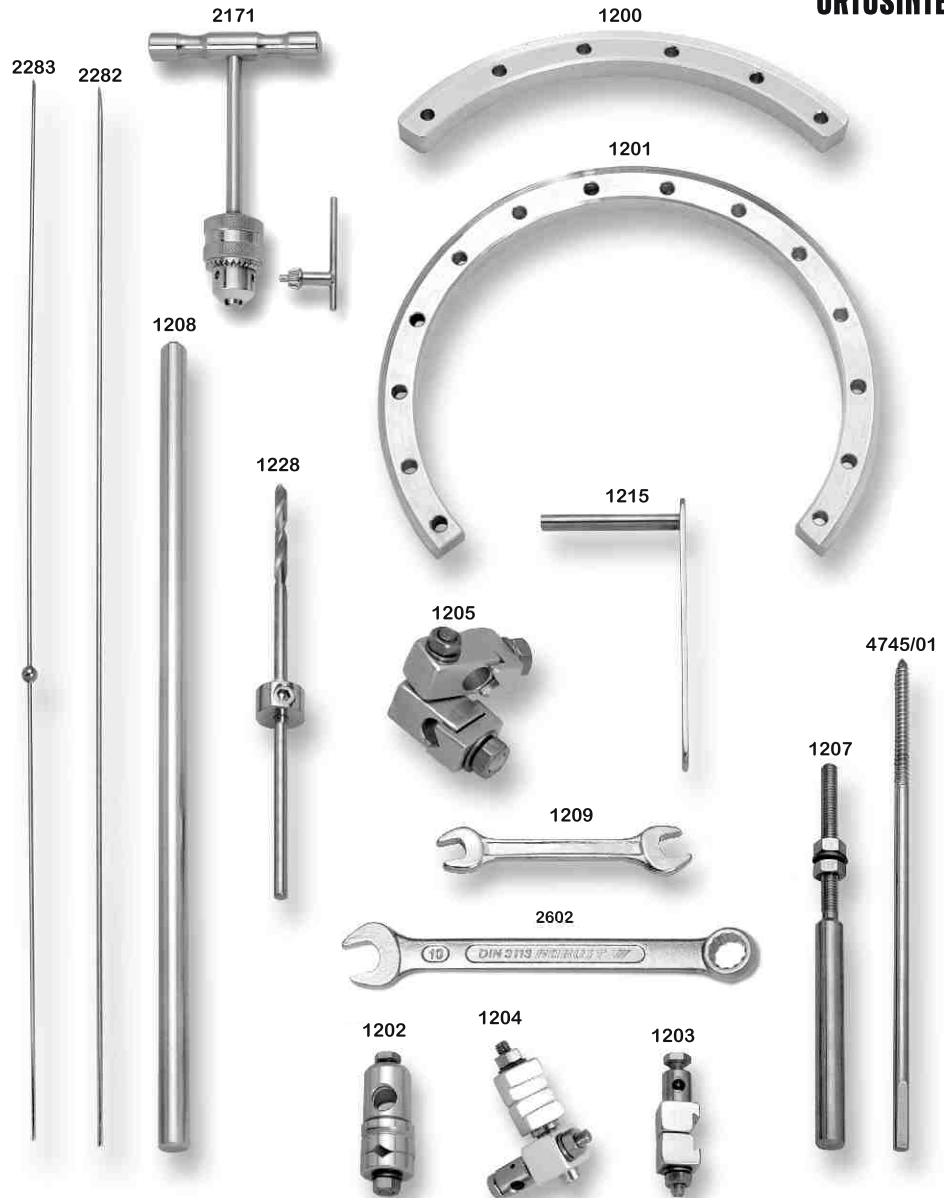
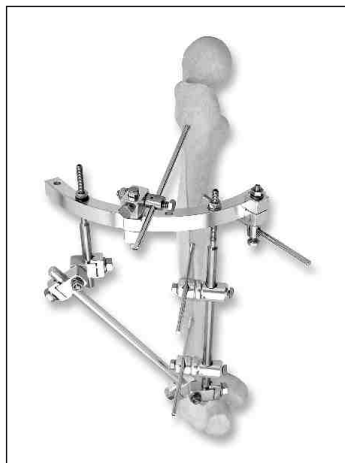
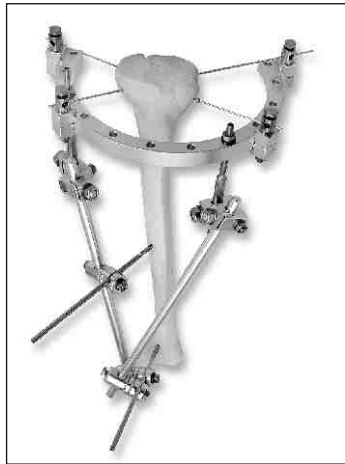
4745/01 PINO DE SCHANZ Ø 4,8 x 160 mm
Schanz Pin



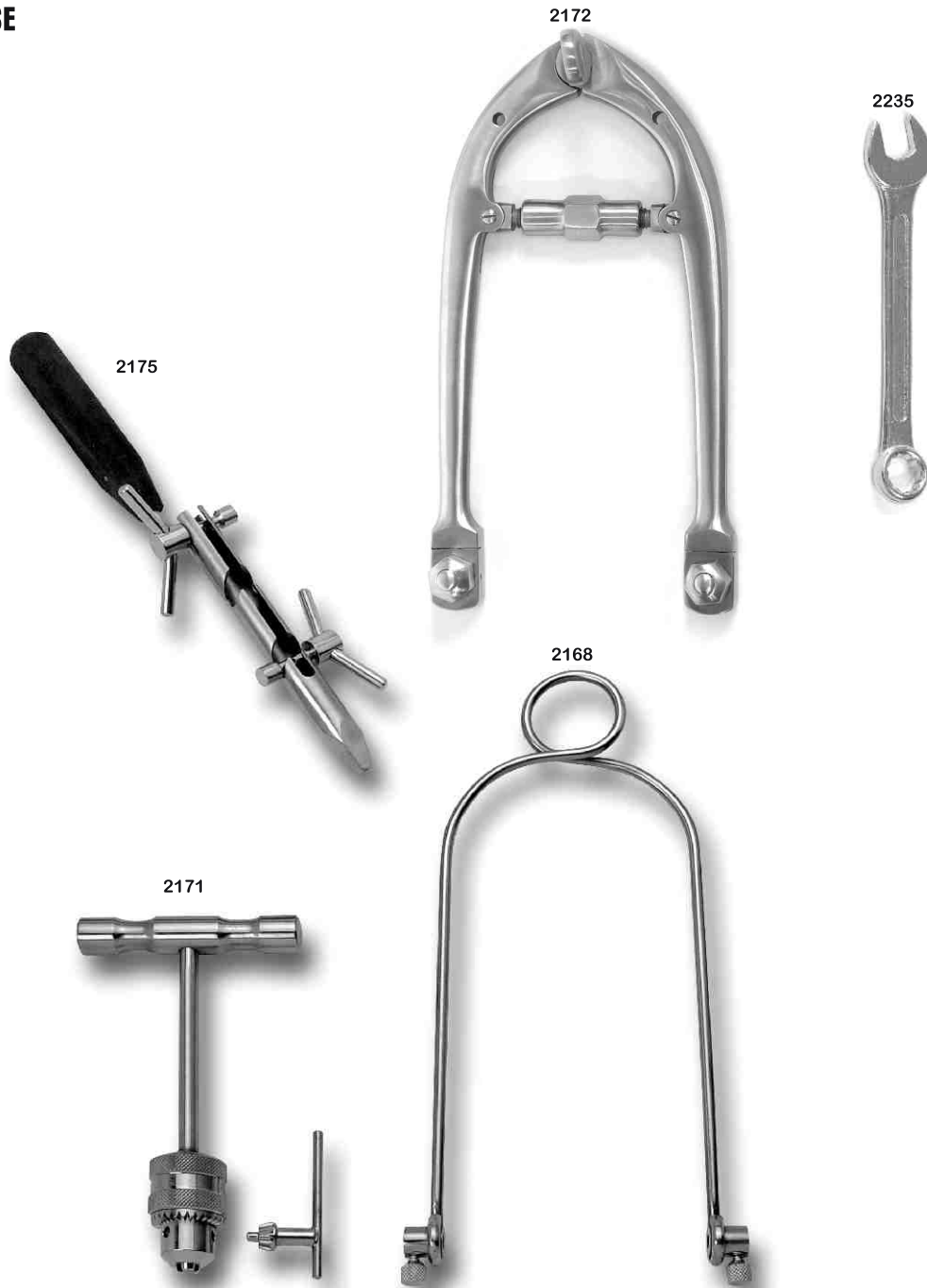
1209	CHAVE 10 x 13 mm Wrench	1218/01	GUIA POSICIONADOR Ø 3,0 mm Positioner Guide	1228/04	BROCA COM STOP Ø 4,5 x 200 mm Stop Drill
1215/02	GUIA DE BROCA Ø 2,5 mm Drill Guide	1218/02	GUIA POSICIONADOR Ø 4,0 mm Positioner Guide	1230/01	FIXADOR ESFERA EXTERNO BARRA M.8 PEQUENO Small External Spherical Rod Fixator
1215/03	GUIA DE BROCA Ø 3,2 mm Drill Guide	1218/03	GUIA POSICIONADOR Ø 6,0 mm Positioner Guide	1230/02	FIXADOR ESFERA EXTERNO BARRA M.8 MÉDIO Medium Sphere Rod Fixator
1215/04	GUIA DE BROCA Ø 4,5 mm Drill Guide	1218/04	GUIA POSICIONADOR Ø 14,5 mm Positioner Guide	1230/03	FIXADOR ESFERA EXTERNO BARRA M.8 GRANDE Large Sphere Rod Fixator
1216/02	GUIA DE FURAÇÃO DO PINO SCHANZ Ø 3,2 mm Schanz Pin Punch Guide	1219/01	BARRA ROSQUEADA ESFERA 8 x 250 mm Spherical Threaded Rod	2171	CHAVE "T" "T" Wrench
1216/03	GUIA DE FURAÇÃO DO PINO SCHANZ Ø 4,8 mm Schanz Pin Punch Guide	1219/02	BARRA ROSQUEADA ESFERA 8 x 300 mm Spherical Threaded Rod	2941	MARTELO 250g. Mallets
1216/04	GUIA DE FURAÇÃO DO PINO SCHANZ Ø 6,0 mm Schanz Pin Punch Guide	1219/03	BARRA ROSQUEADA ESFERA 8 x 350 mm Spherical Threaded Rod	3174	PINO DE SCHANZ Ø 3,2 x 100 mm Schanz Pins
1217/01	PERFURADOR PUNÇÃO Ø 2,4 mm Perforated Punch	1228/02	BROCA COM STOP Ø 2,5 x 180 mm Stop Drill	3397	CHAVE ALLEN Ø 4,0 mm Allen Wrench
1217/02	PERFURADOR PUNÇÃO Ø 3,0 mm Perforated Punch	1228/03	BROCA COM STOP Ø 3,2 x 200 mm Stop Drill	4745/01	PINO DE SCHANZ Ø 4,8 x 160 mm Schanz Pins
1217/03	PERFURADOR PUNÇÃO Ø 4,0 mm Perforated Punch			4746	PINO DE SCHANZ Ø 6,0 x 180 mm Schanz Pins

FIXADOR EXTERNO CIRCULAR PARA REDUÇÃO E ALONGAMENTO

Circular External Fixator for Fracture Reduction and Lengthening



1200	SEMI ANEL 1/4 x 205 mm Semi Ring	1205	CONECTOR BARRA BARRA Rod Rod Conector	FIO LISO Smooth Wire		
1201/01	SEMI ANEL 3/4 x 115 mm Semi Ring	1207/01	HASTE TELESCÓPICA 260 mm Telescopic Rod	REF.	Ø mm	COMPR. Length
1201/02	SEMI ANEL 3/4 x 140 mm Semi Ring	1207/02	HASTE TELESCÓPICA 360 mm Telescopic Rod	2282/01	1,5	250
1201/03	SEMI ANEL 3/4 x 165 mm Semi Ring	1208/01	BARRA LISA Ø 10 x 200 mm Smooth Rod	/02	1,8	370
1201/04	SEMI ANEL 3/4 x 205 mm Semi Ring	1208/02	BARRA LISA Ø 10 x 250 mm Smooth Rod	FIO LISO ESFERA Wire with Sphere		
1202	CONECTOR TUBO PINO Tube Pin Conector	1208/03	BARRA LISA Ø 10 x 300 mm Smooth Rod	REF.	Ø mm	COMPR. Length
1203	CONECTOR ANEL PINO Ring Pin Conector	1208/04	BARRA LISA Ø 10 x 400 mm Smooth Rod	2283/01	1,5	250
1204	CONECTOR ANEL, FIO E PINO Rod Wire Ring Conector	1209	CHAVE FIXA 10 x 13 mm Fixed Wrench	/02	1,8	400
		1215/03	GUIA DE BROCA Ø 3,2 mm Drill Guide	1228	BROCA COM STOP Ø 3,2X200 mm Stop Drill	
				2171	CHAVE "T" "T" Wrench	
				2602	CHAVE 10 COMBINADA Combined Wrench	
				4745/01	PINO DE SCHANZ 4,8 x 160 mm Schanz Pin	



2171 CHAVE "T" PARA INSERÇÃO E REMOÇÃO DE FIOS
"T" Wrench To Insert And Remove Wires

2175 MODELADOR DE FIOS
Wire Twister

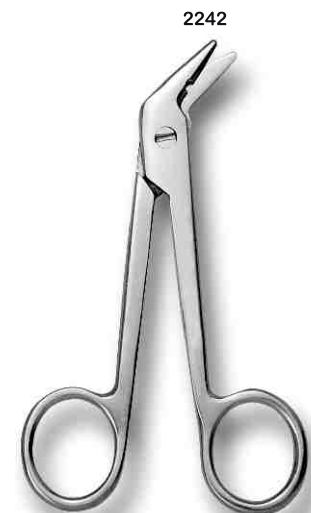
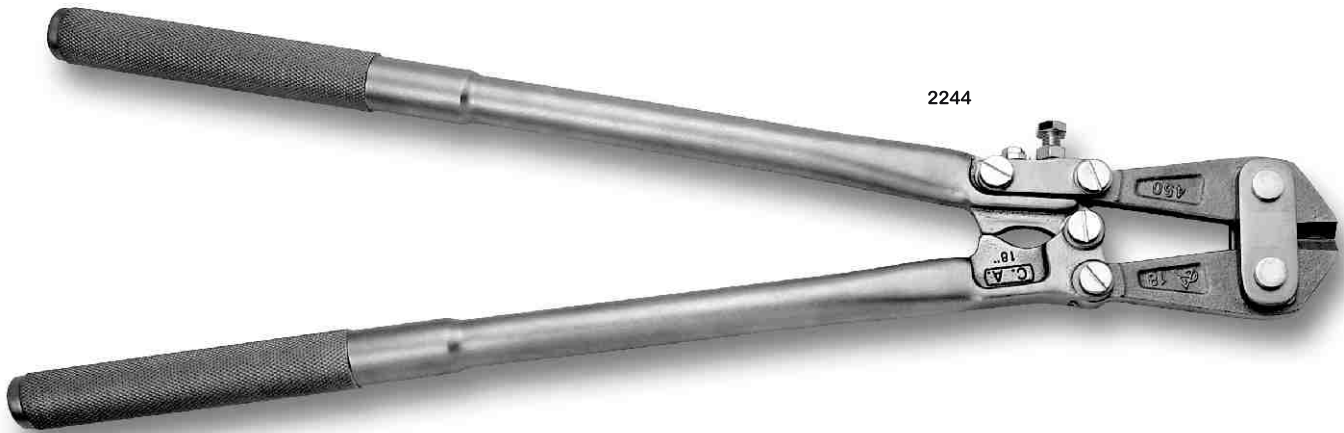
2235/05 CHAVE COMBINADA 13mm
Combined Wrench 13mm

EXTRATOR ESTRIBO KIRSCHNER
Kirschner Wire Extractor

2172/01	PEQUENO	Small
/02	MÉDIO	Medium
/03	GRANDE	Large

EXTRATOR ESTRIBO STEINMANN
Steinmann Wire Extractor

2168/01	PEQUENO	76 mm	Small
/02	MÉDIO	102 mm	Medium
/03	GRANDE	108 mm	Large



CORTADOR SERRA DE GIGLI
Gigli Saw Cutter

REF.	Ø mm
6057/01	300
/02	400
/03	500
/04	600
/05	700

2240 **CORTADOR DUPLA AÇÃO**
End Cutting Nipper

2241 **CORTADOR SEGURA E CORTA**
Need Nose Plier And Cutter

2242 **CORTADOR DE FIOS FINOS**
Wire Cutting Scissors

2243 **CORTADOR DE FIOS**
Wire Cutter

2244 **CORTADOR STEINMANN**
Steinmann Wire Cutter



AFASTADOR ELEVADOR BENNETT
Bennett Elevator Retractor

2250/01 240 x 44 mm
/02 240 x 64 mm

AFASTADOR HOHMANN
Hohmann Retractor

2249/01 20 x 255 mm
/02 35 x 255 mm
/03 65 x 255 mm

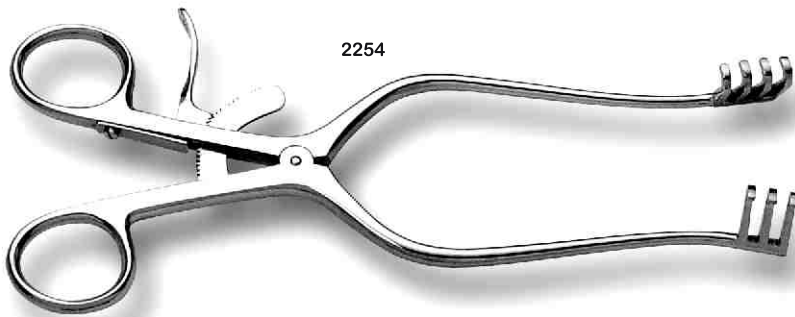
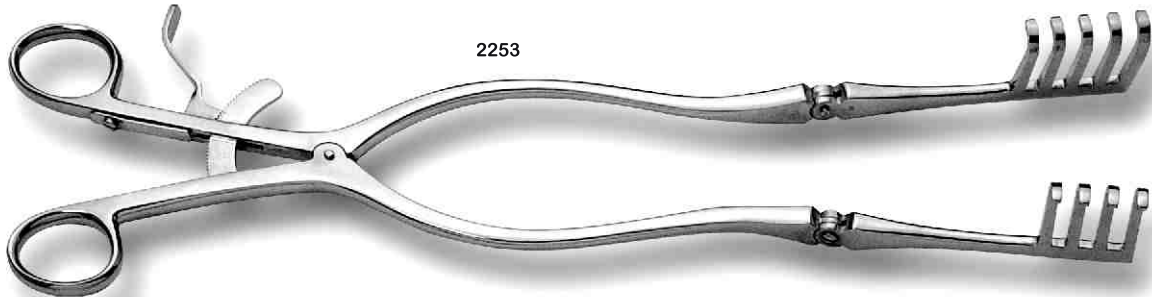
2232/01 AFASTADOR LONGO 30 x 400 mm
Long Retractor

2232/02 AFASTADOR LONGO 45 x 400 mm
Long Retractor

2247 AFASTADOR BLOUNT DUAS PONTAS
Blount Double Pronged Retractor

2248 AFASTADOR BLOUNT
Blount Retractor

2251 AFASTADOR DE JOELHO
Knee Retractor



AFASTADOR BECKMAN – ADSON
Beckman - Adson Retractor

2253 300 x 25 x 40 mm

AFASTADOR ADSON
Adson Retractor

2254	RETO Straight
2255	ANGULADO Angled



AFASTADOR VOLKMAN
Volkman Retractor

2349/01	AGUDO 6 GARRAS Sharp Claws
2349/02	ROMBO 6 GARRAS Blunt Claws
2350/01	AGUDO 4 GARRAS Sharp Claws
2350/02	ROMBO 4 GARRAS Blunt Claws
2351/01	AGUDO 2 GARRAS Sharp Claws
/02	ROMBO 2 GARRAS Blunt Claws

AFASTADOR COLLINS 230 mm
Collins Retractor

2352/01	10
/02	20
/03	25

2347	AFASTADOR OLLIER 40 x 60 x 250 mm 4 GARRAS Ollier Retractor 4 Claws
------	--

2348	AFASTADOR OLLIER 40 x 60 x 250 mm 2 GARRAS Ollier Retractor 2 Claws
------	--

2353
2356



2357



2358



2297



2298



AFASTADOR PERIOSTAL KEY
Key Periosteal Elevator

2353	26 mm
2354	19 mm
2355	13 mm
2356	6 mm

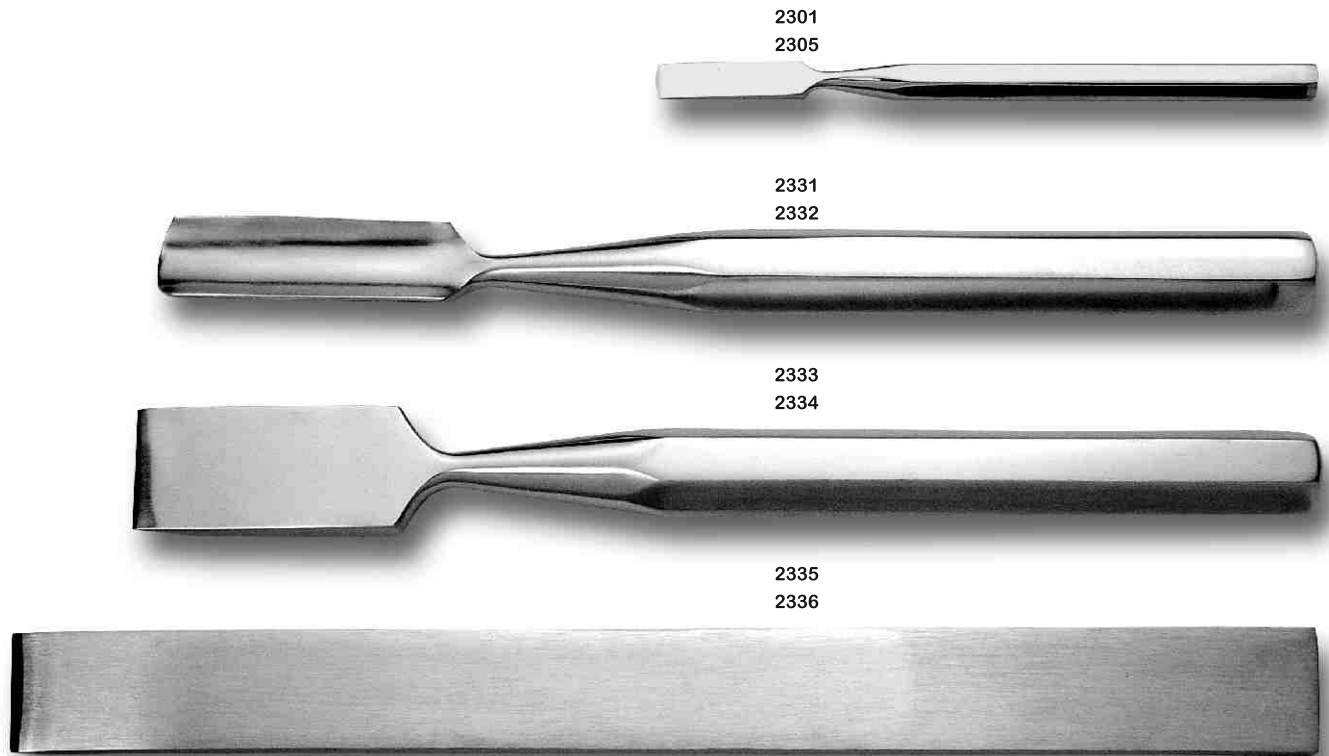
2297 OSTEÓTOMO RUGINA LAMBOTTE 170 mm
Lambotte Rasp

2298/01 OSTEÓTOMO RUGINA FARABEUF RETO
Farabeuf Straight Rasp

2298/02 OSTEÓTOMO RUGINA FARABEUF CURVO
Farabeuf Curved Rasp

2357 AFASTADOR DISSECTOR ALLERDYCE 210 mm
Allerdyce Dissector Elevator

2358 AFASTADOR CUSHING 190 mm
Cushing Elevator



OSTEÓTOMO HIBBS RETO
Straigh Hibbs Osteotome

REF.	LARGURA Bredth
2333/01	6,4
/02	13,0
/03	19,0
/04	25,0
/05	32,0

OSTEÓTOMO HIBBS CURVO
Curved Hibbs Osteotome

REF.	LARGURA Bredth
2334/01	6,4
/02	13,0
/03	19,0
/04	25,0
/05	32,0

OSTEÓTOMO GOIVA HIBBS RETO
Straigh Hibbs Osteotome

REF.	LARGURA Bredth
2331/01	6,4
/02	13,0
/03	19,0
/04	25,0
/05	32,0

OSTEÓTOMO GOIVA HIBBS CURVO
Curved Hibbs Osteotome

REF.	LARGURA Bredth
2332/01	6,4
/02	13,0
/03	19,0
/04	25,0
/05	32,0

OSTEÓTOMO LAMBOTTE FORMÃO
TIPO FACIA RETO COMPR. 229 mm
Lambotte Osteotome Straigh Knife
Type Length

REF.	LARGURA Bredth
2335/01	6,4
/02	13,0
/03	19,0
/04	25,0
/05	32,0
/06	38,0

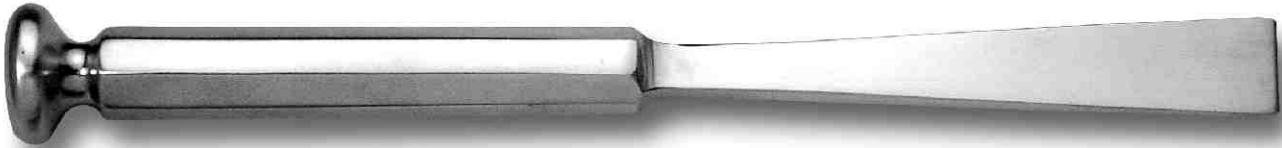
OSTEÓTOMO LAMBOTTE FORMÃO
TIPO FACIA CURVO COMPR. 229 mm
Lambotte Osteotome Curved
Knife Type Length

REF.	LARGURA Bredth
2336/01	6,4
/02	13,0
/03	19,0
/04	25,0
/05	32,0
/06	38,0

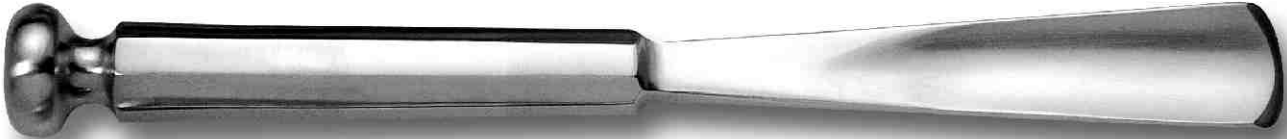
OSTEÓTOMOS DELICADOS HOKE COMPR. 150 mm
Hoke Osteotome Length

REF.	LARGURA Bredth
2301	3,2 mm
2302	4,8 mm
2303	6,4 mm
2304	7,9 mm
2305	9,5 mm

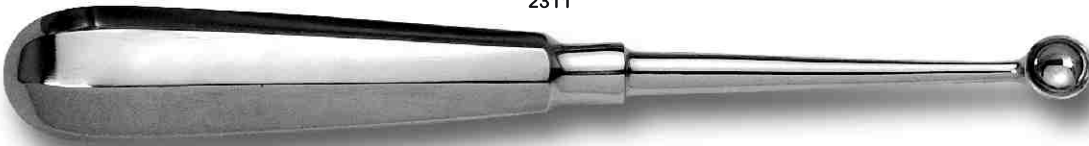
2322
2323



2326
2328



2311



CURETA ÓSSEA
Bone Curette

REF.	
2311/01	1
/02	2
/03	3
/04	4
/05	5
/06	6

OSTEÓTOMO RETO
Straight Osteotome Style

REF.	LARGURA Bredth
2322/01	10,0
/02	12,0
/03	14,0
/04	18,0
/05	22,0

OSTEÓTOMO GOIVA RETO 230 mm
Gouge Straight Style

REF.	LARGURA Bredth
2326/01	10,0
/02	12,0
/03	14,0
/04	18,0
/05	22,0

OSTEÓTOMO CURVO
Curved Osteotome Style

REF.	LARGURA Bredth
2323/01	10,0
/02	12,0
/03	14,0
/04	18,0
/05	22,0

OSTEÓTOMO GOIVA CURVO
Gouge Curved Style

REF.	LARGURA Bredth
2328/01	10,0
/02	12,0
/03	14,0
/04	18,0
/05	22,0



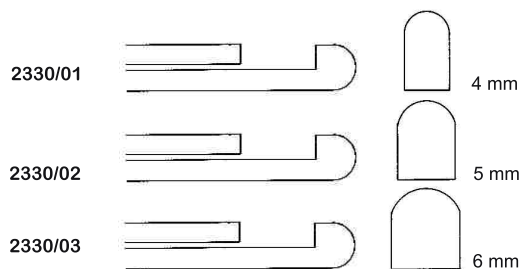
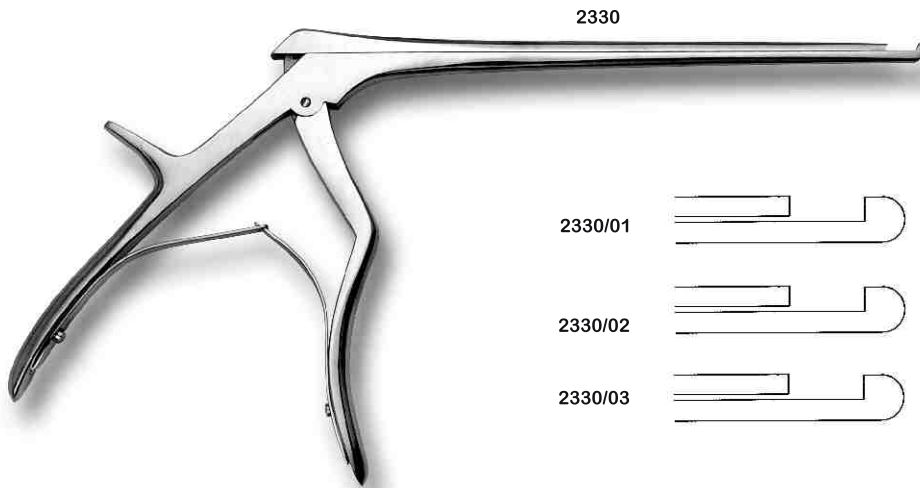
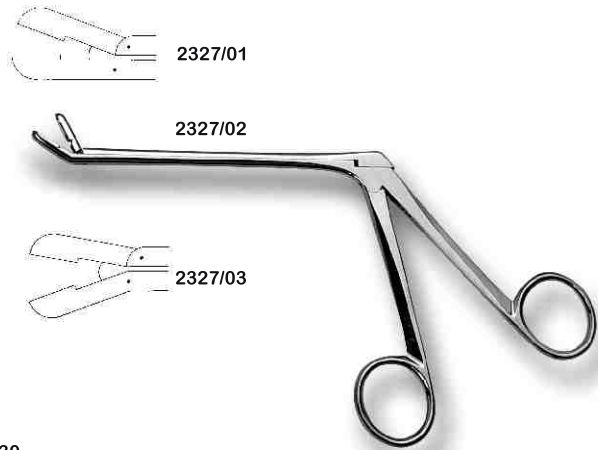
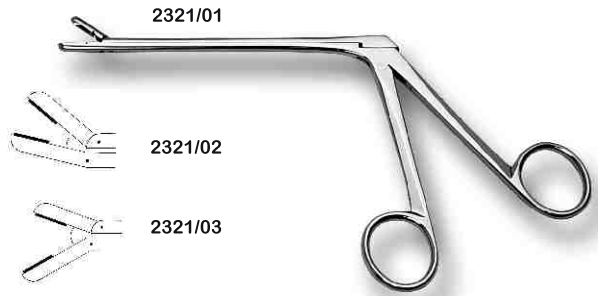
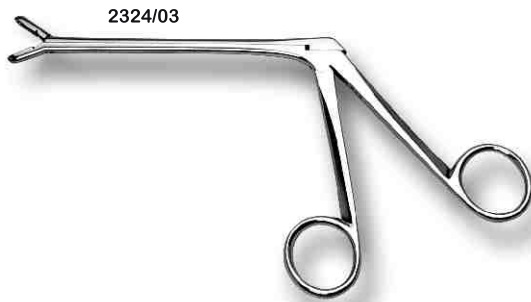
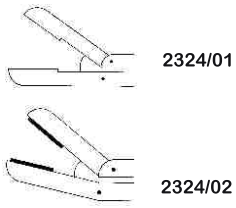
2360/01 *MARTELO AÇO INOXIDAVEL 350 gr.
Stainless Steel Mallet*

2360/02 *MARTELO AÇO INOXIDAVEL 500 gr.
Stainless Steel Mallet*

2361 *MARTELO AÇO INOXIDAVEL 750 gr.
Stainless Steel Mallet*

2362 *MARTELO AÇO INOXIDAVEL 250 gr.
Stainless Steel Mallet*

2363 *MARTELO NAYLON 200 gr.
Naylon Mallet*



PINÇA GOPIVA LOVE KERRINGSON PARA LAMINECTOMIA
Love Kerrison Rongeur for Laminectomi

2330/01	4 mm
/02	5 mm
/03	6 mm

PINÇA CUSHING 2 x 10 mm
Cushing Rongeur

2321/01	RETO Straight
/02	PARA CIMA Up Angle
/03	PARA BAIXO Down Angle

PINÇA GRUENWALD 3 x 10 mm
Gruenwald Rongeur

2327/01	RETO Straight
/02	PARA CIMA Up Angle
/03	PARA BAIXO Down Angle

PINÇA SPURLING 4 x 10 mm
Spurling Rongeur

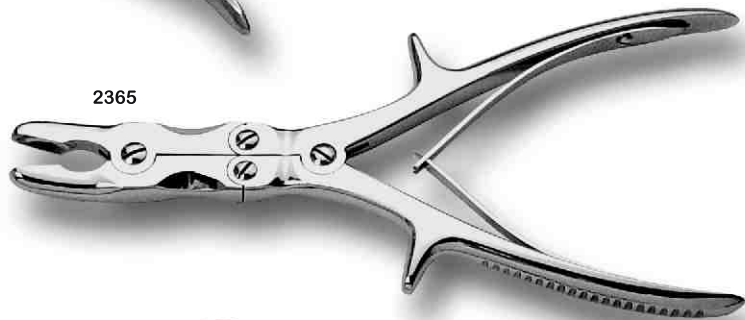
2324/01	RETO Straight
/02	PARA CIMA Up Angle
/03	PARA BAIXO Down Angle



2219



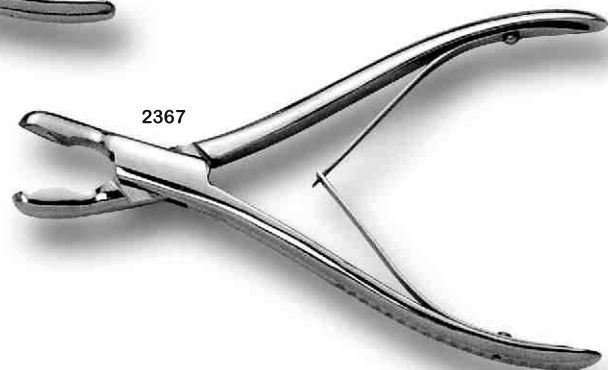
2364



2365



2226



2367

PINÇA GOIVA LUER
Luer Rongeur

2367/01	RETA 178 mm – 8 x 10 mm Straight
/02	CURVA 178 mm – 8 x 10 mm Curved

PINÇA GOIVA STILLE LUER
Stille Luer Rongeur

2365/01	RETA – 216 mm Straight
/02	CURVA – 216 mm Curved

PINÇA GOIVA LEKSSEL
Lekssel Rongeur

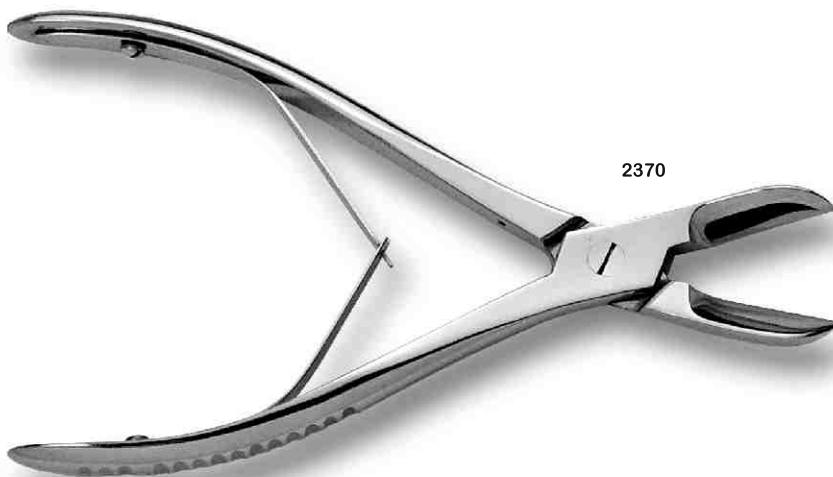
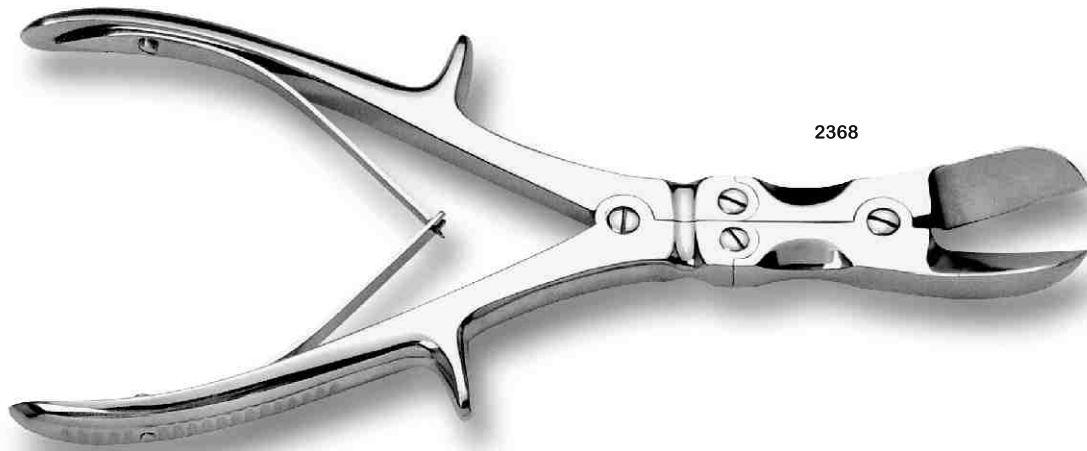
2364	229 mm
------	--------

PINÇA GOIVA RUSKIN CURVA
Curved Ruskin Rongeur

2226	180 mm – 4 x 15 mm
------	--------------------

PINÇA GOIVA DUCK BILL
Duck Bill Rongeur

2219	216 mm – 6 x 15 mm
------	--------------------



PINÇA CIZALHA STILLE LISTON
Stille Liston Bone Cutting Forceps

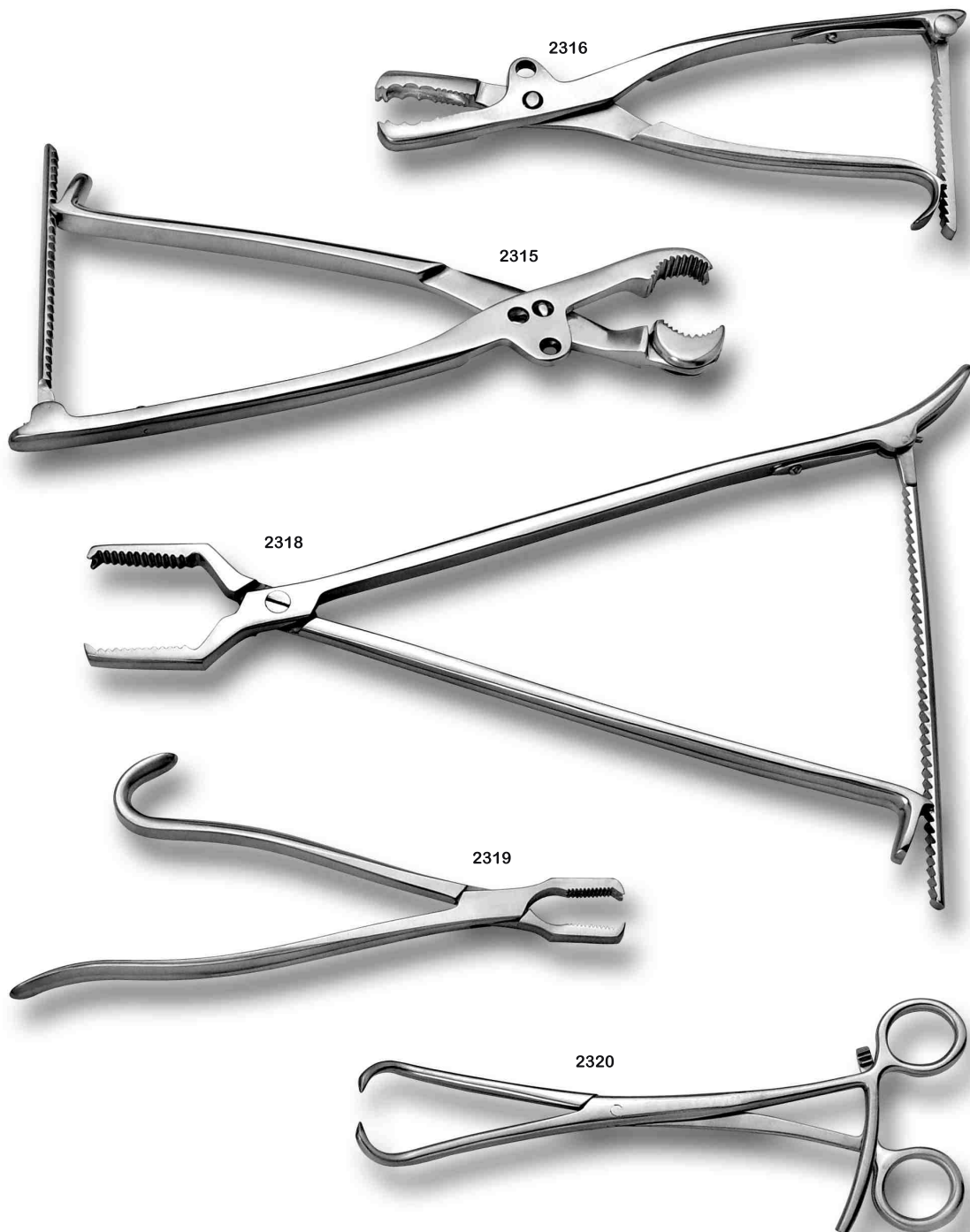
2368/01	RETA – 267 mm
	Straight
/02	CURVA – 267 mm
	Curved

PINÇA CIZALHA LISTON RUSKIN
Liston Ruskin Bone Cutting Forceps

2369/01	RETA – 178 mm
	Straight
/02	CURVA – 178 mm
	Curved

PINÇA CIZALHA LISTON
Liston Bone Cutting Forceps

2370/01	RETA – 191 mm
	Straight
/02	CURVA – 191 mm
	Curved



2320 *PINÇA DE REDUÇÃO COM PONTAS 200 mm*
Reduction Forceps With Points

PINÇA FARABEU F LAMBOTE ÓSSEA COM CREMALHEIRA
Farabeuf Lambote Bone Holding Clamp Ratchet Stile

REF.	mm
2316/01	230
/02	280

PINÇA LAMBOTE ÓSSEA COM CREMALHEIRA
Lambote Bone Holding Clamp Ratchet Stile

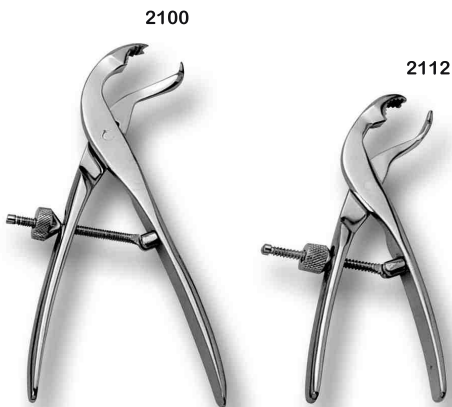
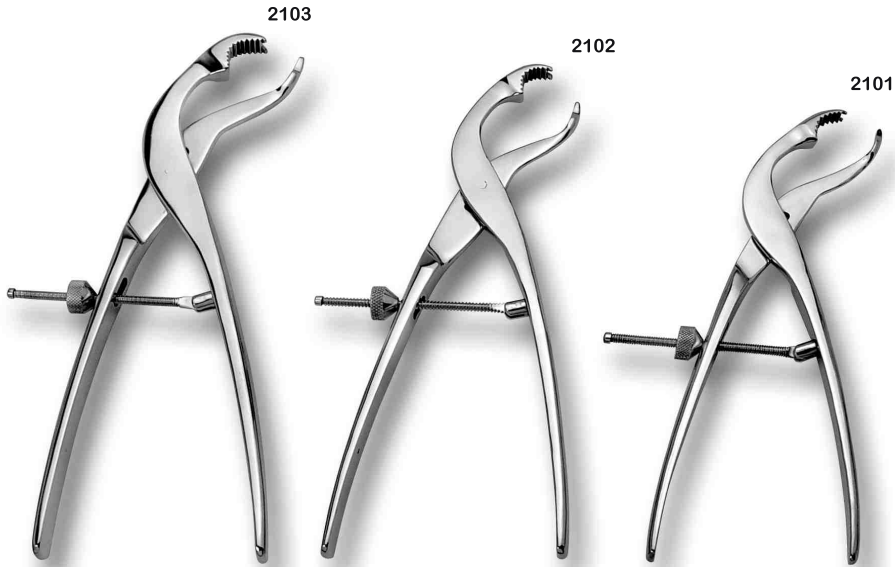
REF.	mm
2315/01	216
/02	267
/03	318

PINÇA LANE ÓSSEA COM CREMALHEIRA
Lane Bone Holding Clamp Ratchet Stile

REF.	mm
2318/01	220
/02	330

PINÇA LANE ÓSSEA SEM CREMALHEIRA
Lane Bone Holding Clamp Without Ratchet

REF.	mm
2319/01	220
/02	330

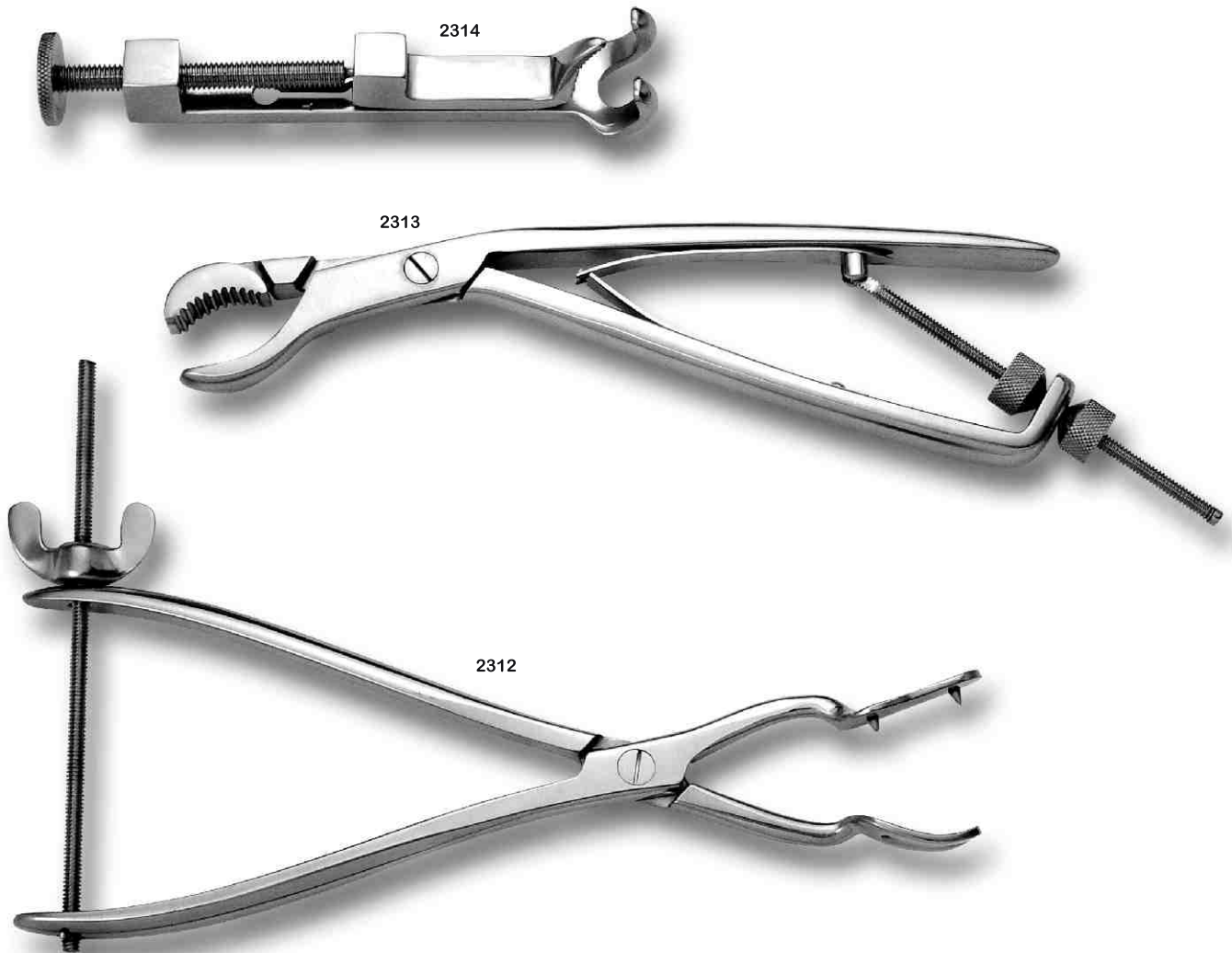


PINÇA AUTO CENTRANTE
Self Centering Forceps

REF.	COMPR. Length
2100	190
2101	240
2102	260
2103	280
2112	160

PINÇA DE FIXAÇÃO ÓSSEA
Bone Holding Forceps

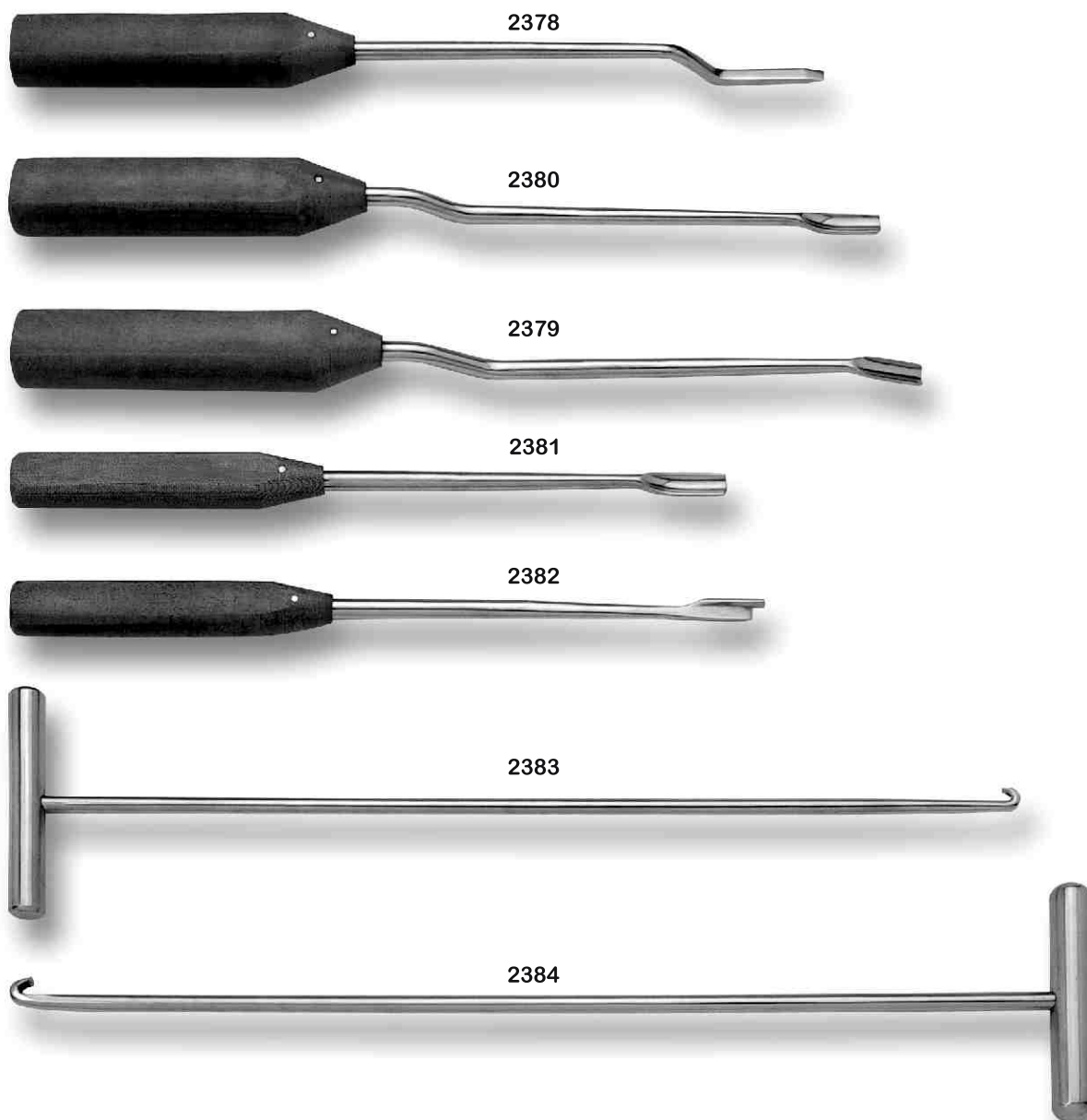
REF.	COMPR. Length
2371	160
2372	220



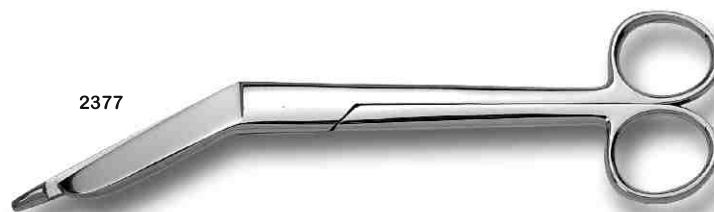
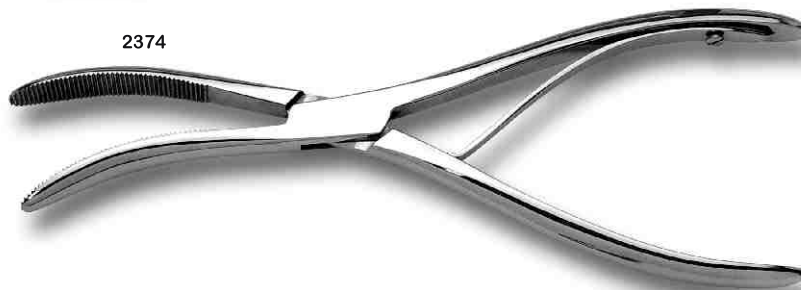
- | | |
|---------|--|
| 2312 | <i>PINÇA PARA TROCANTER
Trochanter Forceps Clamp</i> |
| 2313 | <i>PINÇA DE REDUÇÃO
Reduction Forceps Clamp</i> |
| 2314/01 | <i>PINÇA ÓSSEA GRANDE
Bone Clamp Large</i> |
| 2314/02 | <i>PINÇA ÓSSEA MÉDIO
Medium Bone Clamp</i> |
| 2314/03 | <i>PINÇA ÓSSEA PEQUENO
Small Bone Clamp</i> |

INSTRUMENTAL PARA EXTRAÇÃO DE CIMENTO

Cement Extraction Instruments



2378	<i>EXTRATOR DE CIMENTO Cement Extractor</i>
2379	<i>EXTRATOR DE CIMENTO ÂNGULO 15° PARA BAIXO Cement Extractor Down Angled 15°</i>
2380	<i>EXTRATOR DE CIMENTO NEGATIVO LONGO Cement Extractor Negative Long</i>
2381	<i>EXTRATOR DE CIMENTO ACETABULAR Acetabular Cement Extractor</i>
2382	<i>EXTRATOR DE CIMENTO Cement Extractor</i>
2383	<i>EXTRATOR DE CIMENTO Cement Extractor</i>
2384	<i>EXTRATOR AFIADO PARA EXTRAÇÃO DE CIMENTO Sharp Hook for Cement Extraction</i>



2373 *PINÇA CIZALHA STILLE PARA GESSO 370 mm*
Stille Plater Shears

2374 *PINÇA ABRE GESSO BOEHLER 240 mm*
Boehler Plaster Cast Breaker

2375 *PINÇA ABRE GESSO HENNING 270 mm*
Henning Plaster Breaker

2377 *CORTADOR PARA GESSO LISTER*
Lister Plaster Shears